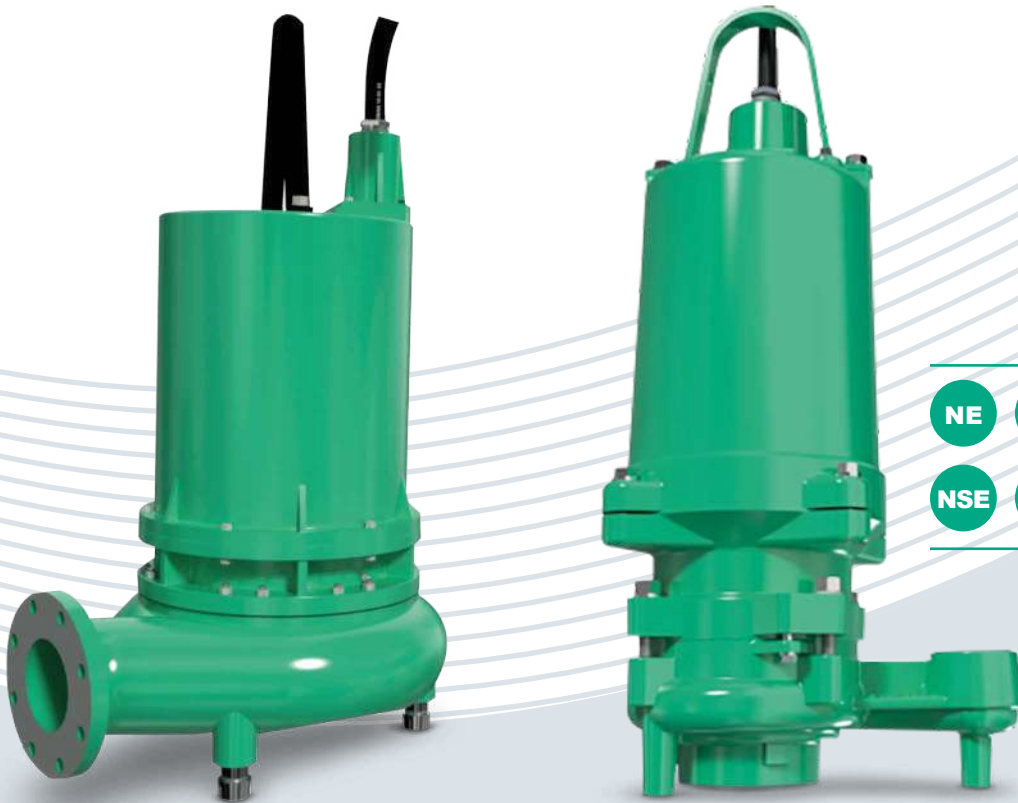


WDM[®]

PUMPS



NE NG NTE
NSE NNE Close
Coupled

- Flow Rates to : 2275 GPM
- Size to 6" Discharge
- Motors to 75 HP

- Oil Filled Motors
- Cast Iron Impeller
- Temperature to 104° F

- Easy Set Up and Installation
- Solid Handling Up to Ø 4"
- Submersible Pumps



Technical Book

Submersible Pumps 2022.

WDM Water Systems



www.wdmpumps.com

WDM Water Systems

WDM Pumps has expanded its brand as an international manufacturer of fluid handling pumps by consistently meeting and exceeding the needs of our customers.

Continuing a tradition of more than 60 years, WDM Pumps manufactures quality electric and engine driven pumps for diverse commercial and industrial applications. Our continued growth is based on a commitment to high standards for efficient product design, production, sales, and customer support.

Our customers rely on our world-class team of experienced WDM Pumps engineers, technicians, and product application specialists.

WDM offers pump products and related equipment for a wide variety of industries. WDM Pumps manufactured and distributed self priming, flexible coupled, close coupled, vertical multistage, submersible sump and sewage.

WDM Pumps plants are strategically located throughout the Americas.



INDEX



| Pump Family | | Content | Pag. |
|-------------------|-------------------------------|-----------------------|-------|
| Submersible Pumps | NE NG NTE NNE NSE | Selection Charts | 8-10 |
| | | Sectionals | 11-14 |
| | | Dimensionals | 15-24 |
| | | Repair Kit Seal NE-NG | 25 |
| | | Performance Curves | 26-46 |

NE-NHE



Submersible Pumps Close Coupled

Features:

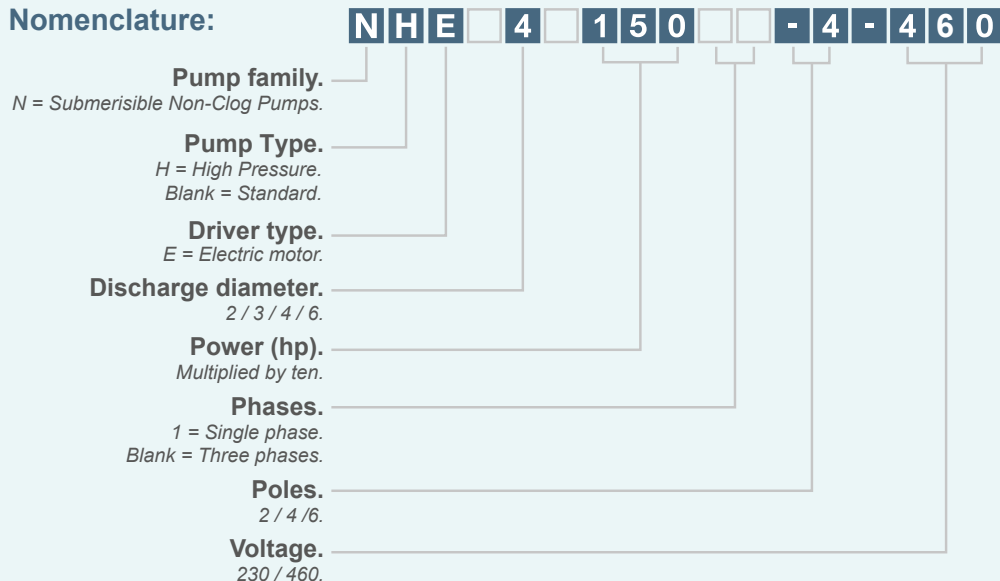
- Construction: Cast Iron.
- Suction: Up to 6"
- Impeller: Cast Iron. Semi Open. Dynamically Balanced.
- Mechanical Seal: Double, Type 1, Silicon / Buna-N.
- Motor: Submersible Nema B, Oil Filled, Squirrel Cage Induction Type.

Benefits:

- High Efficiency Design.
- Enclosed Impellers, Double Suction Provides Hydraulic Balance Eliminating Axial Thrust.
- Quick Delivery.
- Easy Set Up & Installation.
- Low and Ease Maintenance.
- Long Service Life.
- Variety of Sizes



Nomenclature:





Submersible Pumps Close Coupled

Features:

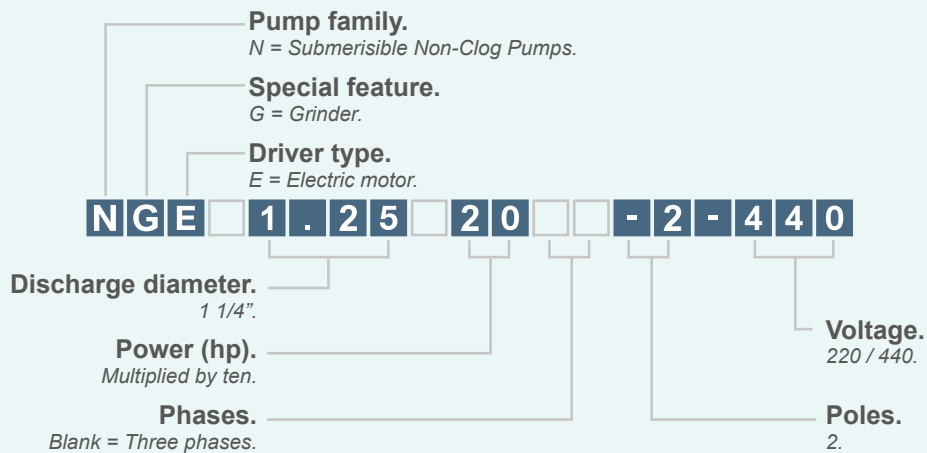
- Construction: Cast Iron.
- Discharge: Up to 2".
- Impeller: Vortex Type Dynamically Balanced.
- Mechanical Seal: Double, Type 1.
- Motor: Submersible Nema B, Oil Filled, Squirrel Cage Induction Type.
- Stainless Steel Hardware (Grinder Ring).

Benefits:

- Macerates and grinds.
- Reduces clogging problems.
- Quick delivery.
- Easy set up & installation.
- Low and ease maintenance.
- Long service life.



Nomenclature:



NTE-NNE-NSE



NTE

NNE

NSE

Submersible Pumps Close Coupled

Features:

- Construction: Cast Iron / Plastic or Stainless Steel
- Discharge: Up to 3"
- Impeller: Cast Iron. Semi Open or Closed. Dynamically Balanced.
- Mechanical Seal: Carbon or Silicon / Buna or Viton.
- Motor: IP X8

Benefits:

- High Efficiency Design.
- Quick Delivery.
- Easy Set Up & Installation.
- Low and Ease Maintenance.
- Long Service Life.
- Variety of Sizes.
- Includes Wire Connection.



Nomenclature:

N T E - - -

Pump Family.

N = Submersible Pump.

Pump Type.

T = Trash Pump Cast Iron.

N = Clean Water Plastic Body.

S = Clean Water Stainless Steel Body.

Driver Type.

E = Electric Motor.

Discharge Diameter.

2 / 3 / 4 / 6.

Power.

Multiplied by Ten.

Phases.

1 = Single Phase / Blank = Three Phases

Poles.

2 / 4 / 6

Voltage.

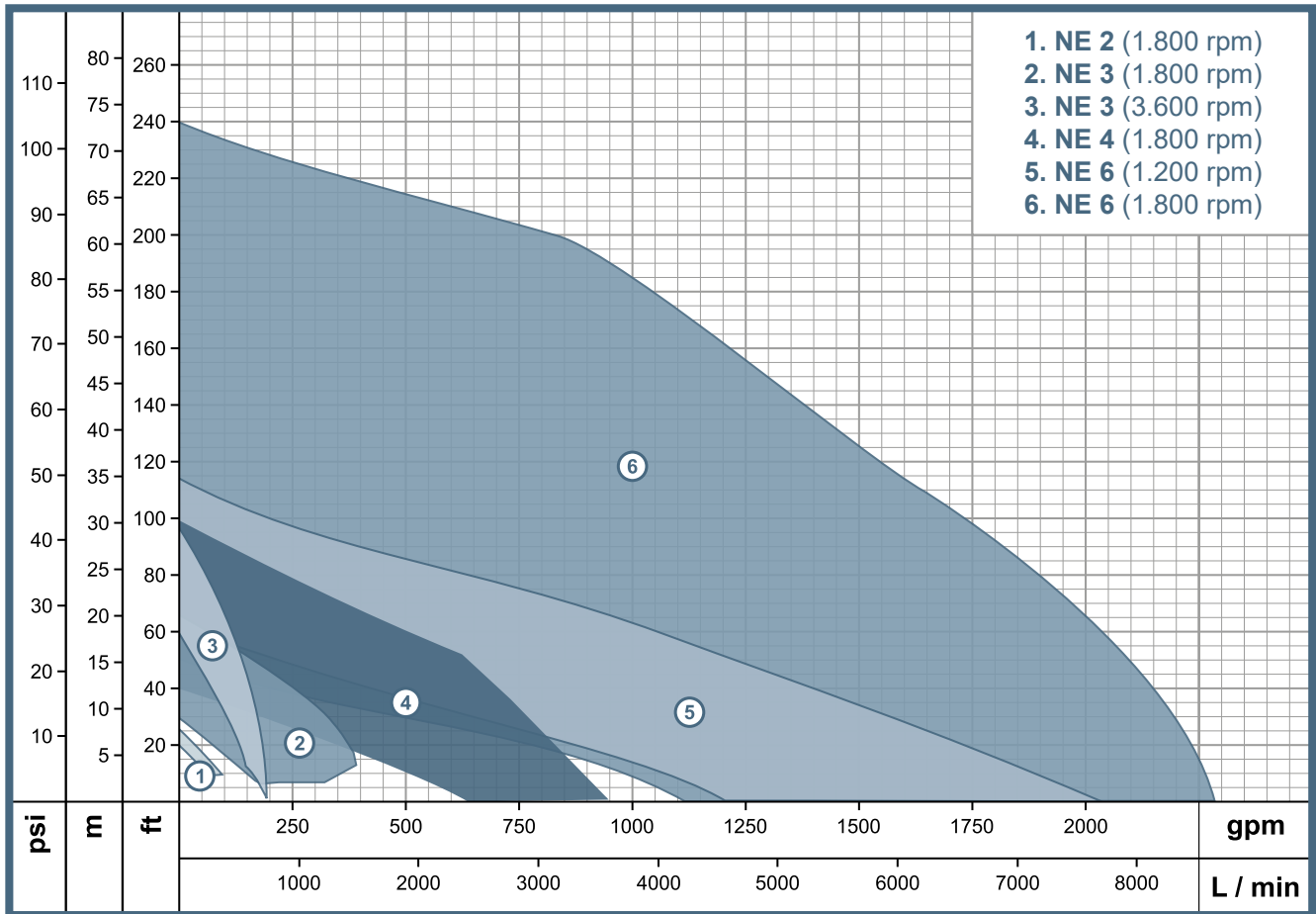
115 / 230 / 460

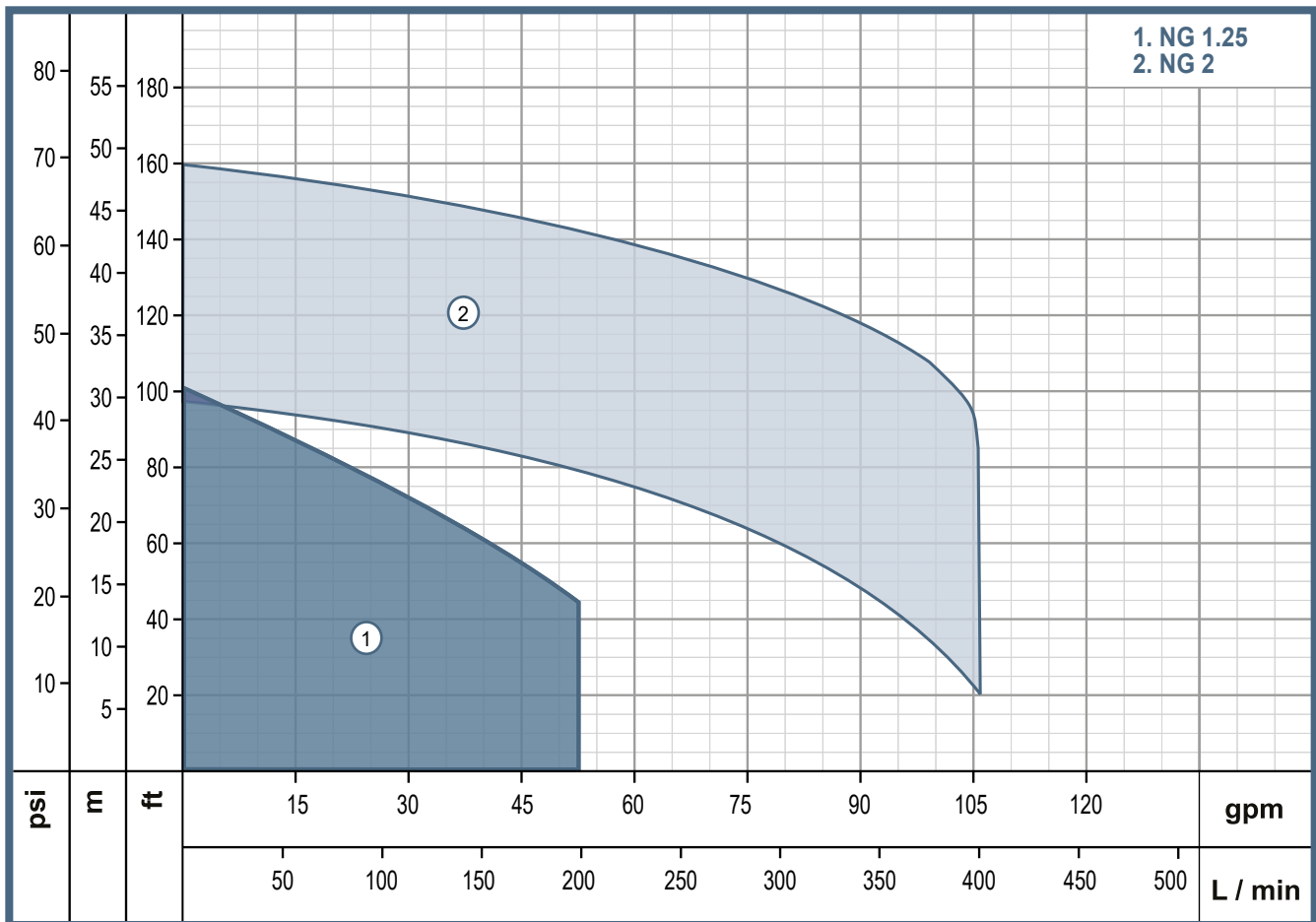
Selection chart NE Series

Submersible
Non clog Pumps



www.wdmpumps.com



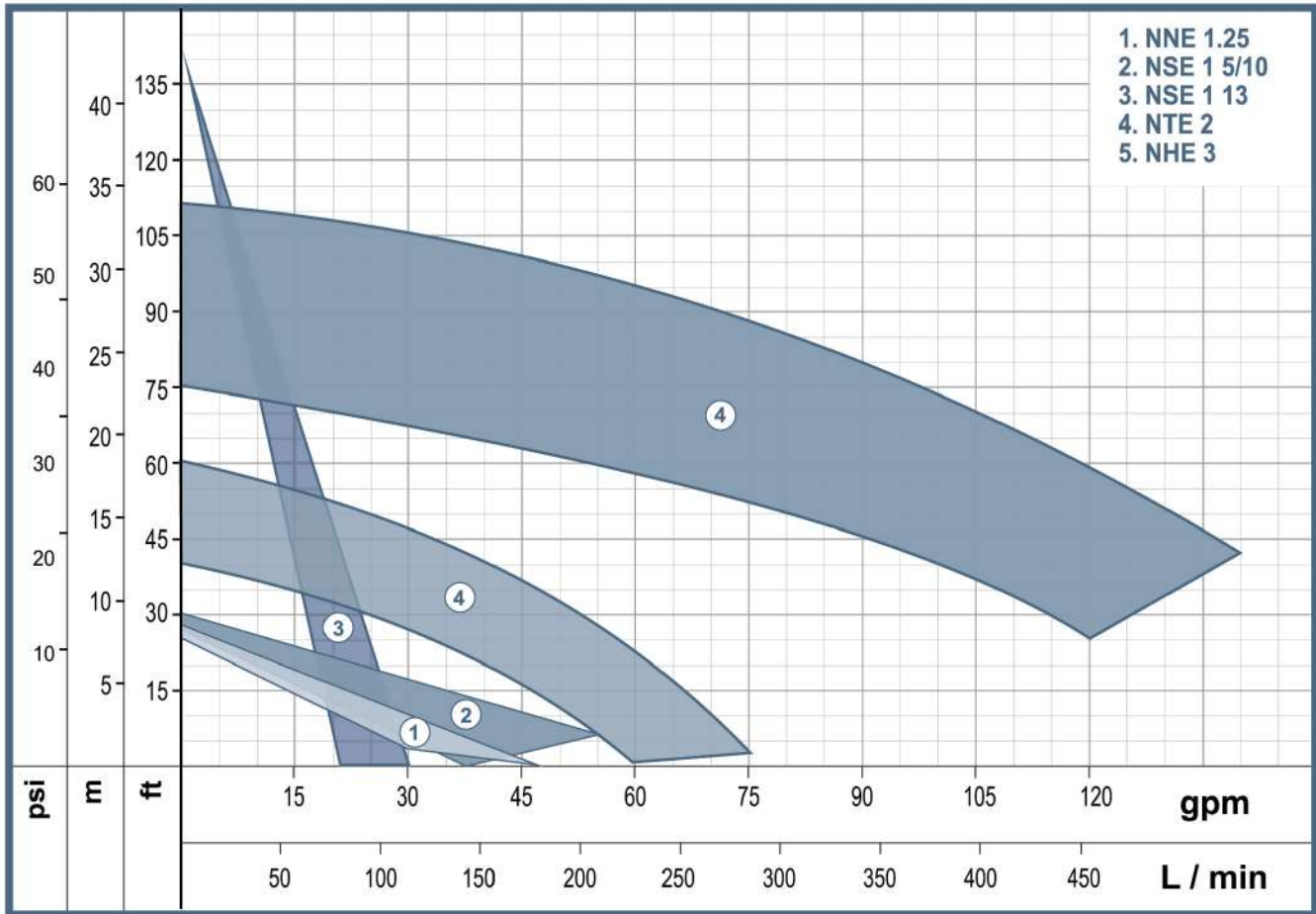


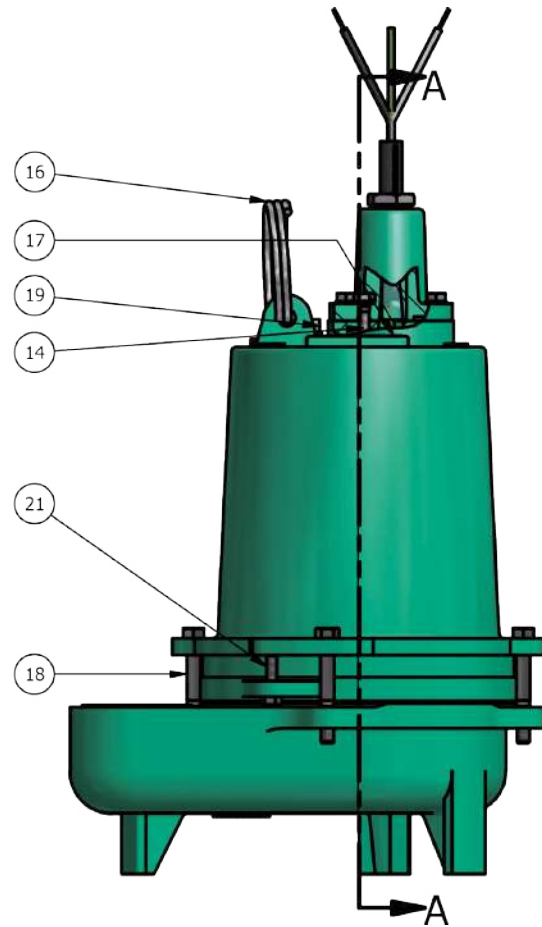
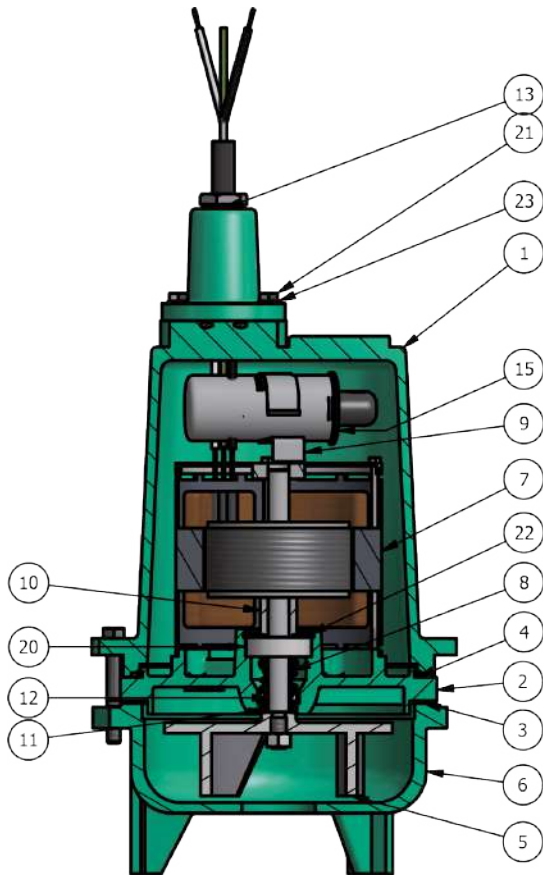
Selection chart NNE-NSE-NTE-NH Series

Submersible
Non clog Pumps



www.wdmpumps.com





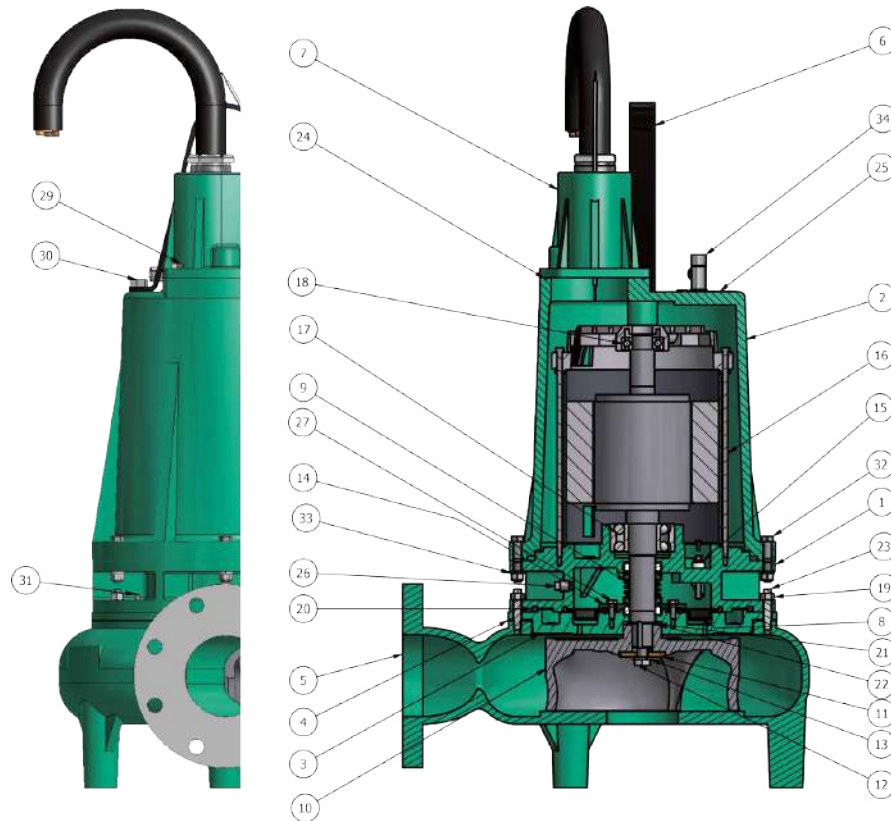
| ITEM | QTY | DESCRIPTION | MATERIAL |
|------|-----|----------------------|---|
| 1 | 1 | VOLUTE | CAST IRON ASTM A48 |
| 2 | 1 | SEAL PLATE | CAST IRON ASTM A48 |
| 3 | 1 | SQUARE RING | BUNA |
| 4 | 1 | SQUARE RING | BUNA |
| 5 | 1 | CABLE ASSEMBLY | CAST IRON / BUNA |
| 6 | 1 | CONDUIT BUSHING* | CAST IRON |
| 7 | 1 | PULL WASHER | STAINLESS STEEL AISI 304 |
| 8 | 1 | EXCLUSION SEAL | BUNA |
| 9 | 1 | BEARING | STEEL |
| 10 | 4 | STUD | STAINLESS STEEL AISI 304 |
| 11 | 1 | PIPE PLUG | GALVANIZED STEEL |
| 12 | 1 | SNAP RING* | STEEL |
| 13 | 2 | SOCKET HD. CAP SCREW | STAINLESS STEEL AISI 304 |
| 14 | 1 | SHAFT SEAL | SILICON CARBIDE VITON / SILICON CARBIDE |

| ITEM | QTY | DESCRIPTION | MATERIAL |
|------|-----|---------------------|--------------------------|
| 15 | 1 | KEY | STEEL |
| 16 | 4 | LOCK WASHER | STAINLESS STEEL AISI 304 |
| 17 | 4 | HXHD CAP SCREW | STAINLESS STEEL AISI 304 |
| 18 | 1 | HANDLE | STEEL ZINC COATING |
| 19 | 1 | O-RING | BUNA |
| 20 | 1 | HEX NUTS | STAINLESS STEEL AISI 304 |
| 21 | 1 | LOCK WASHER | STAINLESS STEEL AISI 304 |
| 22 | 1 | IMPELLER, CAST IRON | CAST IRON ASTM A48 |
| 23 | 1 | MOTOR | CHECK INFO WITH SUPPLIER |
| 24 | 1 | MOTOR HOUSING | CAST IRON ASTM A48 |
| 25 | 4 | LOCK WASHER | STAINLESS STEEL AISI 304 |
| 26 | 4 | HEX NUTS | STAINLESS STEEL AISI 304 |

Sectional NE 4 Series Submersible Non clog Pumps

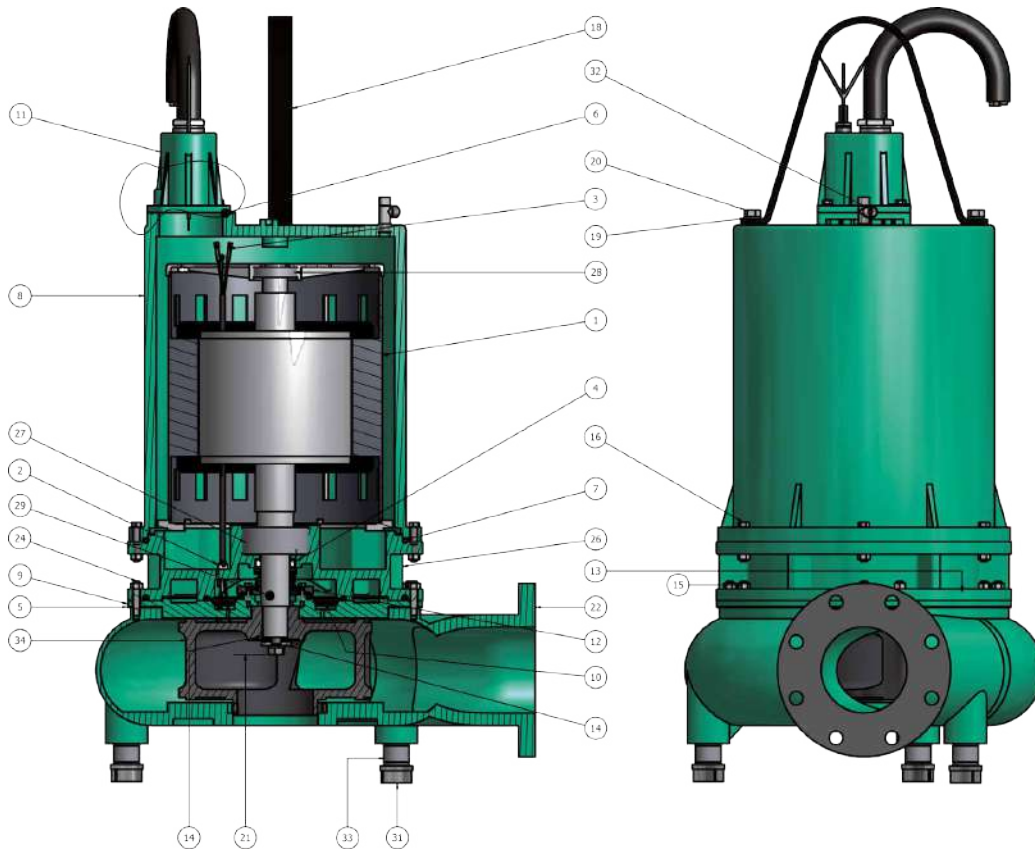


www.wdmpumps.com



| ITEM | QTY | DESCRIPTION | MATERIAL |
|------|-----|----------------------|--|
| 1 | 1 | BEARING BRACKET | CAST IRON ASTM A48 |
| 2 | 1 | MOTOR HOUSING | CAST IRON ASTM A48 |
| 3 | 1 | SEAL PLATE | CAST IRON ASTM A48 |
| 4 | 1 | GASKET | BUNA |
| 5 | 1 | VOLUTE | CAST IRON ASTM A48 |
| 6 | 1 | LIFTING STRAP | CARBON STEEL |
| 7 | 1 | CABLE ASSEMBLY | CAST IRON / BUNA |
| 8 | 1 | DIAPHRAGM | BUNA |
| 9 | 1 | SHAFT SEAL | DOUBLE SEAL CARBON/CERAMIC/SILICON - CARBIDE/SILICON CARBIDE/VITON |
| 10 | 1 | IMPELLER CAST IRON | CAST IRON ASTM A48 |
| 11 | 1 | IMPELLER WASHER | STAINLESS STEEL AISI 304 |
| 12 | 1 | HEX CAP SCREW | STAINLESS STEEL AISI 304 |
| 13 | 1 | LOCK WASHER | STAINLESS STEEL AISI 304 |
| 14 | 1 | DIAPHRAGM CLAMP RING | CAST IRON A-48 |
| 15 | 2 | MOISTURE SENSOR WIRE | STAINLESS STEEL / COPPER / RUBBER |
| 16 | 1 | MOTOR | CHECK INFO WITH SUPPLIER |
| 17 | 1 | BEARING | STEEL |

| ITEM | QTY | DESCRIPTION | MATERIAL |
|------|-----|-----------------------|--------------------------|
| 18 | 1 | BEARING | STEEL |
| 19 | 12 | HEX NUTS | STAINLESS STEEL AISI 304 |
| 20 | 1 | SQUARE RING | BUNA |
| 21 | 1 | WASHER | STAINLESS STEEL AISI 304 |
| 22 | 1 | WASHER | STAINLESS STEEL AISI 304 |
| 23 | 6 | STUD | STAINLESS STEEL AISI 304 |
| 24 | 1 | SQUARE RING | BUNA |
| 25 | 1 | PLATE SERIES | STAINLESS STEEL AISI 304 |
| 26 | 1 | PIPE PLUG | GALVANIZED STEEL |
| 27 | 4 | CAP SCREW | STAINLESS STEEL AISI 304 |
| 28 | 1 | KEY | STEEL |
| 29 | 5 | CAP SCREW | STAINLESS STEEL AISI 304 |
| 30 | 2 | CAP SCREW | STAINLESS STEEL AISI 304 |
| 31 | 2 | SOCKET HEAD CAP SCREW | STAINLESS STEEL AISI 304 |
| 32 | 6 | CAP SCREW | CARBON STEEL |
| 33 | 6 | LOCK WASHER | STAINLESS STEEL AISI 304 |
| 34 | 1 | PRESSURE RELIEF VALVE | BRONZE |



| ITEM | QTY | DESCRIPTION | MATERIAL |
|------|-----|-----------------------|---|
| 1 | 1 | MOTOR | CHECK INFO WITH SUPPLIER |
| 2 | 2 | MOISTURE SENSOR WIRE | STAINLESS STEEL / COPPER / RUBBER |
| 3 | 1 | GROUNDING | COPPER |
| 4 | 1 | SHAFT SEAL | DOUBLE SEAL CARBON/CERAMIC/SILICON – CARBIDE/SILICON CARBIDE/ITON |
| 5 | 1 | GASKET | BUNA |
| 6 | 1 | SQUARE RING | BUNA |
| 7 | 2 | O-RING | BUNA |
| 8 | 1 | MOTOR HOUSING | CAST IRON ASTM A48 |
| 9 | 1 | SEAL PLATE | CAST IRON ASTM A48 |
| 10 | 1 | DIAPHRAGM | BUNA |
| 11 | 1 | WIRE ASSEMBLY | CAST IRON / BUNA |
| 12 | 1 | DIAPHRAGM CLAMP | CAST IRON ASTM A48 |
| 13 | 4 | SOCKET HEAD CAP SCREW | STAINLESS STEEL AISI 304 |
| 14 | 1 | WASHER | STAINLESS STEEL AISI 304 |
| 15 | 19 | HEX NUTS | STAINLESS STEEL AISI 304 |
| 16 | 7 | CAP SCREW | STAINLESS STEEL AISI 304 |
| 17 | 5 | CAP SCREW | STAINLESS STEEL AISI 304 |

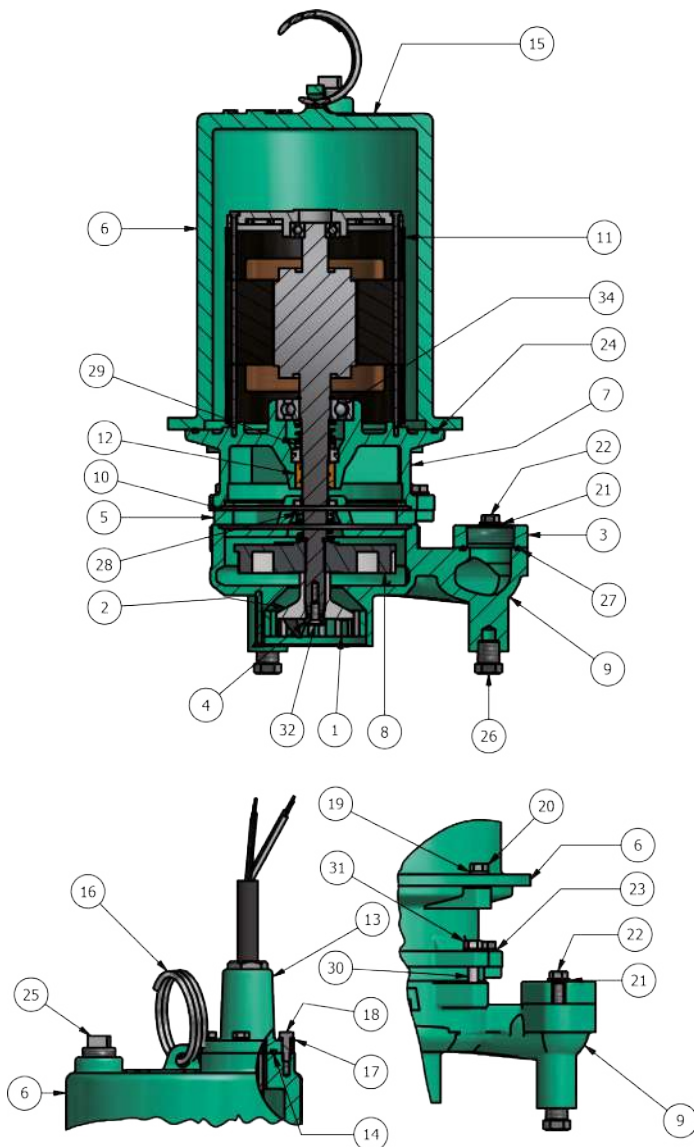
| ITEM | QTY | DESCRIPTION | MATERIAL |
|------|-----|-----------------|------------------------------|
| 18 | 1 | LIFTING STRAP | STAINLESS STEEL AISI 304 |
| 19 | 3 | LOCK WASHER | STAINLESS STEEL AISI 304 |
| 20 | 2 | CAP SCREW | STAINLESS STEEL AISI 304 |
| 21 | 1 | CAP SCREW | STAINLESS STEEL AISI 304 |
| 22 | 1 | BODY | CAST IRON ASTM A48 |
| 23 | 1 | WEAR RING | BRONZE OR CAST IRON ASTM A48 |
| 24 | 12 | STUD | STAINLESS STEEL AISI 304 |
| 25 | 4 | HEX NUTS | STAINLESS STEEL AISI 304 |
| 26 | 1 | BEARING BRACKET | CAST IRON ASTM A48 |
| 27 | 1 | BEARING | STEEL |
| 28 | 1 | BEARING | STEEL |
| 29 | 4 | CAP SCREW | STAINLESS STEEL AISI 304 |
| 30 | 2 | PIPE PLUG | GALVANIZED STEEL |
| 31 | 3 | CAP | STAINLESS STEEL AISI 304 |
| 32 | 1 | PRESSURE VALVE | BRONZE |
| 33 | 3 | LEG | STAINLESS STEEL AISI 304 |
| 34 | 1 | IMPELLER | CAST IRON ASTM A48 |

Sectional NGE 1.25 - 2 Series

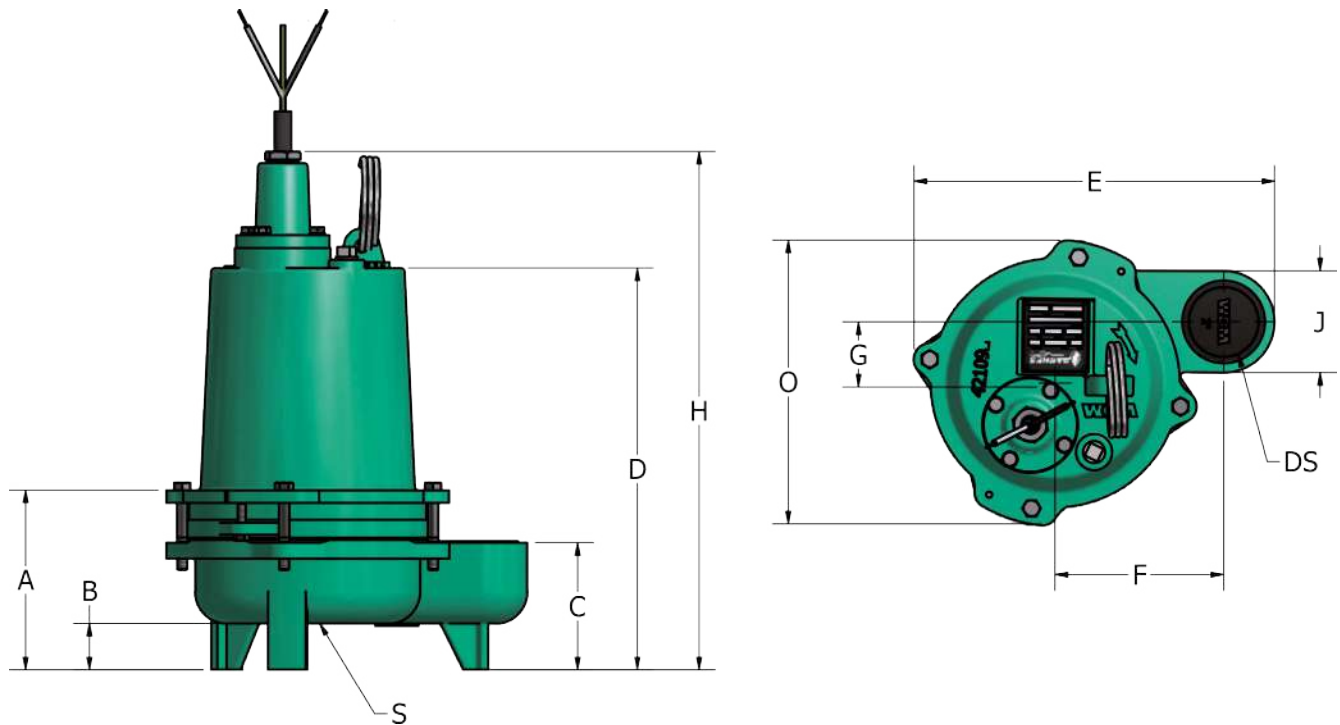
Submersible
Non clog Pump
"Grinder"



www.wdmpumps.com



| ITEM | QTY | DESCRIPTION | MATERIAL |
|------|-----|-----------------------|----------------------------------|
| 1 | 1 | SHREDDING RING | INOX 440C |
| 2 | 1 | RADIAL CUTTER | INOX 440C |
| 3 | 1 | DISCHARGE FLANGE | CAST IRON ASTM A48 |
| 4 | 1 | WASHER | STAINLESS STEEL AISI 304 |
| 5 | 1 | SEAL PLATE | CAST IRON ASTM A48 |
| 6 | 1 | MOTOR HOUSING | CAST IRON ASTM A48 |
| 7 | 1 | INTERMEDIATE COUPLING | CAST IRON ASTM A48 |
| 8 | 1 | IMPELLER | CAST IRON ASTM A48 |
| 9 | 1 | VOLUTE | CAST IRON ASTM A48 |
| 10 | 2 | O-RING | BUNA |
| 11 | 1 | MOTOR | CHECK INFO WITH SUPPLIER |
| 12 | 1 | CENTRAL HUB | BRONZE |
| 13 | 1 | WIRE ASSEMBLY | CAST IRON / BUNA |
| 14 | 1 | O-RING | BUNA |
| 15 | 1 | PLATE SERIES | STAINLESS STEEL AISI 304 |
| 16 | 1 | LIFTING HANDLE | STAINLESS STEEL AISI 304 |
| 17 | 4 | LOCK WASHER | STAINLESS STEEL AISI 304 |
| 18 | 4 | SCREW | STAINLESS STEEL AISI 304 |
| 19 | 4 | LOCK WASHER | STAINLESS STEEL AISI 304 |
| 20 | 4 | SCREW | STAINLESS STEEL AISI 304 |
| 21 | 2 | WASHER | STAINLESS STEEL AISI 304 |
| 22 | 4 | SCREW | STAINLESS STEEL AISI 304 |
| 23 | 6 | LOCK WASHER | STAINLESS STEEL AISI 304 |
| 24 | 1 | SQUARE RING | BUNA |
| 25 | 1 | PIPE PLUG | GALVANIZED STEEL |
| 26 | 3 | PIPE PLUG | GALVANIZED STEEL |
| 27 | 1 | O-RING | BUNA |
| 28 | 1 | SEAL, OUTER* | CARBON / CERAMIC / BUNA |
| 29 | 1 | SEAL, INNER | CARBON / SILICON CARBIDE / VITON |
| 30 | 4 | STUD | STAINLESS STEEL AISI 304 |
| 31 | 4 | HEX NUTS | STAINLESS STEEL AISI 304 |
| 32 | 1 | SKHD SCREW | STAINLESS STEEL AISI 304 |
| 33 | 1 | BEARING | STEEL |

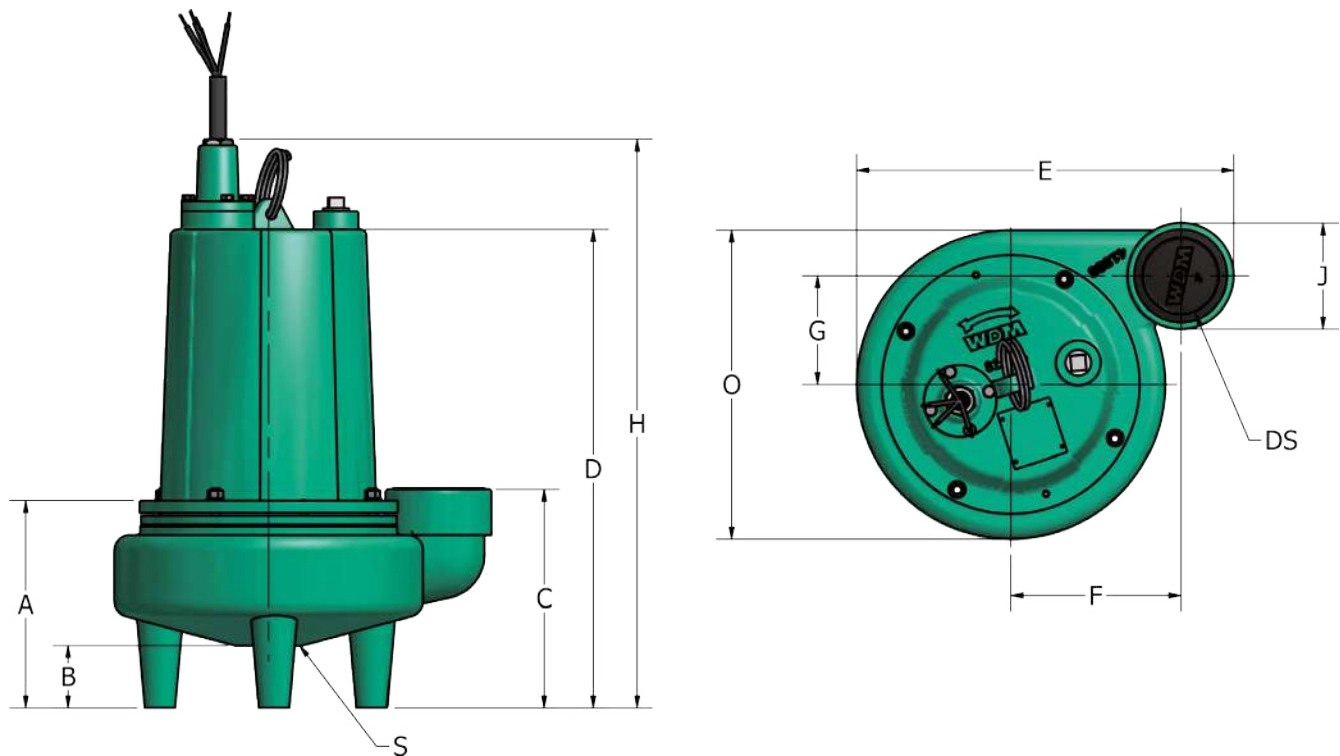


| Dimensions (inches) | | | | | | | | | | | | |
|---------------------|--------|--------|--------|----|---------|----------|--------|----|---------|---------|----------|-----|
| Model | Ref. | A | B | C | D | E | F | G | H | J | O | Dis |
| NE 2 4-1-4-110 | 1C0016 | 5 5/8" | 1 1/2" | 4" | 12 5/8" | 11 5/16" | 5 1/4" | 2" | 16 1/4" | 3 3/16" | 8 15/16" | 2" |

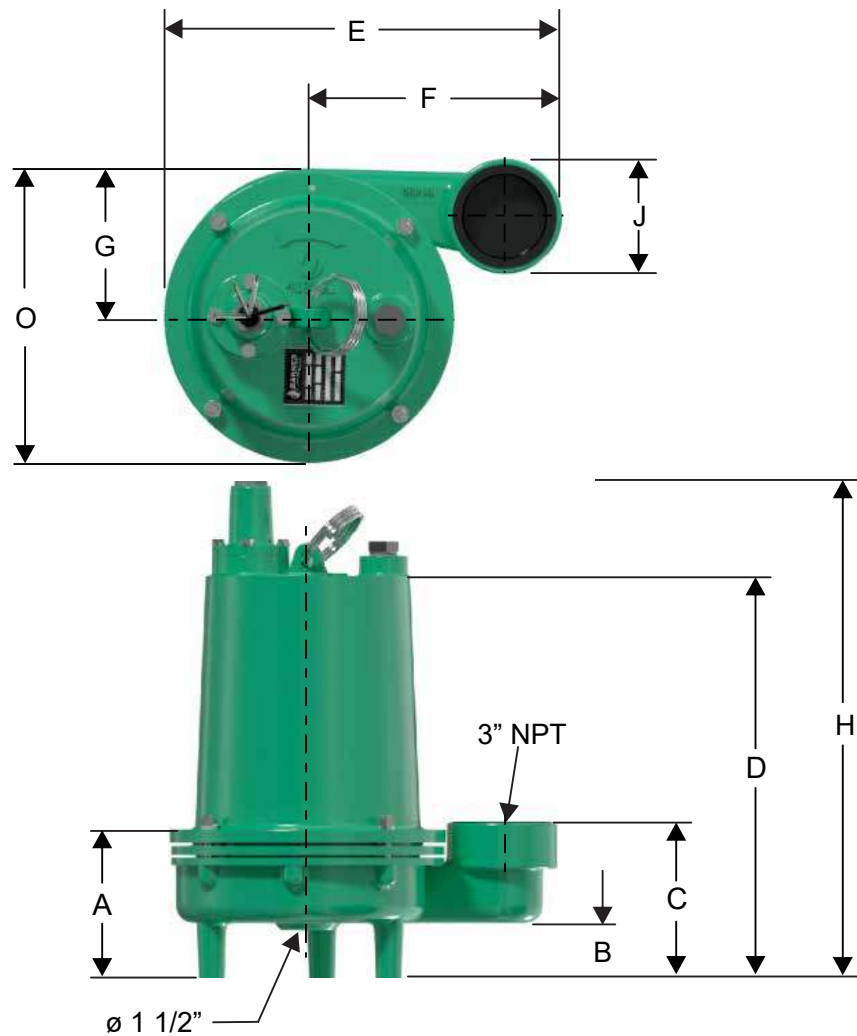
**Dimensional
NE 3 Series**
Submersible
Non clog Pumps



www.wdmpumps.com



| Dimensions (inches) | | | | | | | | | | | | |
|---------------------|--------|---------|--------|--------|----------|-----------|--------|---------|-----------|--------|---------|-----|
| Model | Ref. | A | B | C | D | E | F | G | H | J | O | Dis |
| NE 3 20-2-220 | 1C0022 | 6 1/16" | 2" | 6" | 15 3/4" | 15 13/16" | 8 1/4" | 2 3/8" | 19 7/16" | 4 3/8" | 10 3/4" | 3" |
| NE 3 20-2-440 | 1C0018 | 6 1/16" | 2" | 6" | 15 3/4" | 15 13/16" | 8 1/4" | 2 3/8" | 19 7/16" | 4 3/8" | 10 3/4" | 3" |
| NE 3 30-2-220 | 1C0033 | 6 1/16" | 2" | 6" | 17 3/16" | 15 13/16" | 8 1/4" | 2 3/8" | 20 13/16" | 4 3/8" | 10 3/4" | 3" |
| NE 3 30-2-440 | 1C0034 | 6 1/16" | 2" | 6" | 17 3/16" | 15 13/16" | 8 1/4" | 2 3/8" | 20 13/16" | 4 3/8" | 10 3/4" | 3" |
| NE 3 5-1-4-110 | 1C0030 | 7 3/8" | 2 1/2" | 8 1/4" | 16 1/8" | 13 3/8" | 6 1/4" | 3 3/16" | 19 3/4" | 4 3/8" | 9 7/8" | 3" |
| NE 3 7-1-4-220 | 1C0031 | 7 3/8" | 2 1/2" | 8 1/4" | 16 1/8" | 13 3/8" | 6 1/4" | 3 3/16" | 19 3/4" | 4 3/8" | 9 7/8" | 3" |
| NE 3 10-1-4-220 | 1C0025 | 7 3/8" | 2 1/2" | 8 1/4" | 16 1/8" | 13 3/8" | 6 1/4" | 3 3/16" | 19 3/4" | 4 3/8" | 9 7/8" | 3" |
| NE 3 10-4-220 | 1C0014 | 7 3/8" | 2 1/2" | 8 1/4" | 16 1/8" | 13 3/8" | 6 1/4" | 3 3/16" | 19 3/4" | 4 3/8" | 9 7/8" | 3" |
| NE 3 10-4-440 | 1C0013 | 7 3/8" | 2 1/2" | 8 1/4" | 16 1/8" | 13 3/8" | 6 1/4" | 3 3/16" | 19 3/4" | 4 3/8" | 9 7/8" | 3" |
| NE 3 20-4-220 | 1C0024 | 8 1/2" | 2 1/2" | 9" | 18 3/16" | 15 1/2" | 7" | 4 7/16" | 21 7/8" | 4 3/8" | 12 5/8" | 3" |
| NE 3 20-4-440 | 1C0032 | 8 1/2" | 2 1/2" | 9" | 18 3/16" | 15 1/2" | 7" | 4 7/16" | 21 7/8" | 4 3/8" | 12 5/8" | 3" |
| NE 3 30-4-220 | 1C0027 | 8 1/2" | 2 1/2" | 9" | 19 9/16" | 15 1/2" | 7" | 4 7/16" | 23 1/8" | 4 3/8" | 12 5/8" | 3" |
| NE 3 30-4-440 | 1C0028 | 8 1/2" | 2 1/2" | 9" | 19 9/16" | 15 1/2" | 7" | 4 7/16" | 23 1/8" | 4 3/8" | 12 5/8" | 3" |



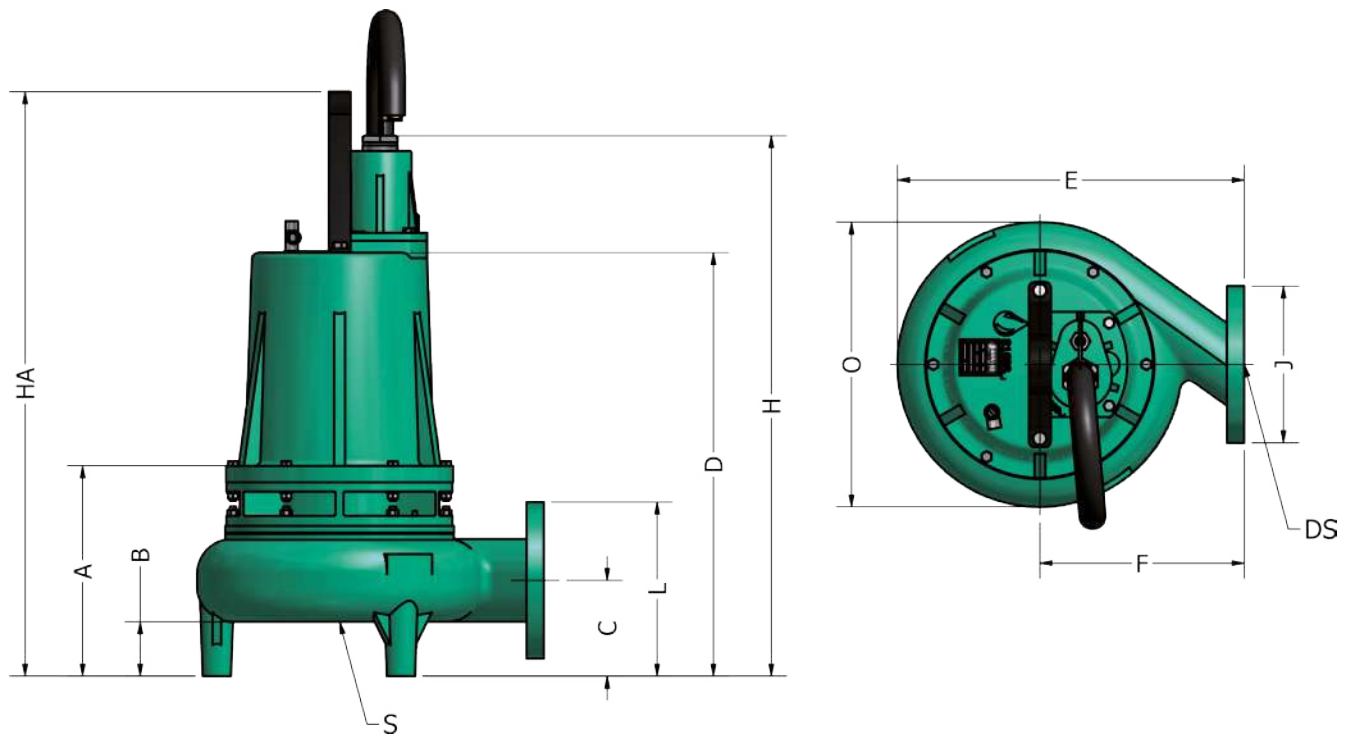
| Dimensions (Inches) | | | | | | | | | | | | |
|---------------------|--------|-------|-------|---|--------|--------|---|-------|--------|--------|-------|-----|
| Model | Ref. | A | B | C | D | E | F | G | H | J | O | Dis |
| NHE 3 10-1-2-220 | 1C0019 | 5 5/8 | 2 1/8 | 6 | 15 3/8 | 14 3/8 | 7 | 3 7/8 | 19 | 10 3/4 | 4 1/8 | 3 |
| NHE 3 20-2-220 | 1C0020 | 5 5/8 | 2 1/8 | 6 | 15 3/8 | 14 3/8 | 7 | 3 7/8 | 19 | 10 3/4 | 4 1/8 | 3 |
| NHE 3 20-2-440 | 1C0021 | 5 5/8 | 2 1/8 | 6 | 16 3/4 | 14 3/8 | 7 | 3 7/8 | 20 3/8 | 10 3/4 | 4 1/8 | 3 |
| NHE 3 30-2-220 | 1C0011 | 5 5/8 | 2 1/8 | 6 | 16 3/4 | 14 3/8 | 7 | 3 7/8 | 20 3/8 | 10 3/4 | 4 1/8 | 3 |
| NHE 3 30-2-440 | 1C0012 | 5 5/8 | 2 1/8 | 6 | 16 3/4 | 14 3/8 | 7 | 3 7/8 | 20 3/8 | 10 3/4 | 4 1/8 | 3 |

Dimensional NE 4 Series

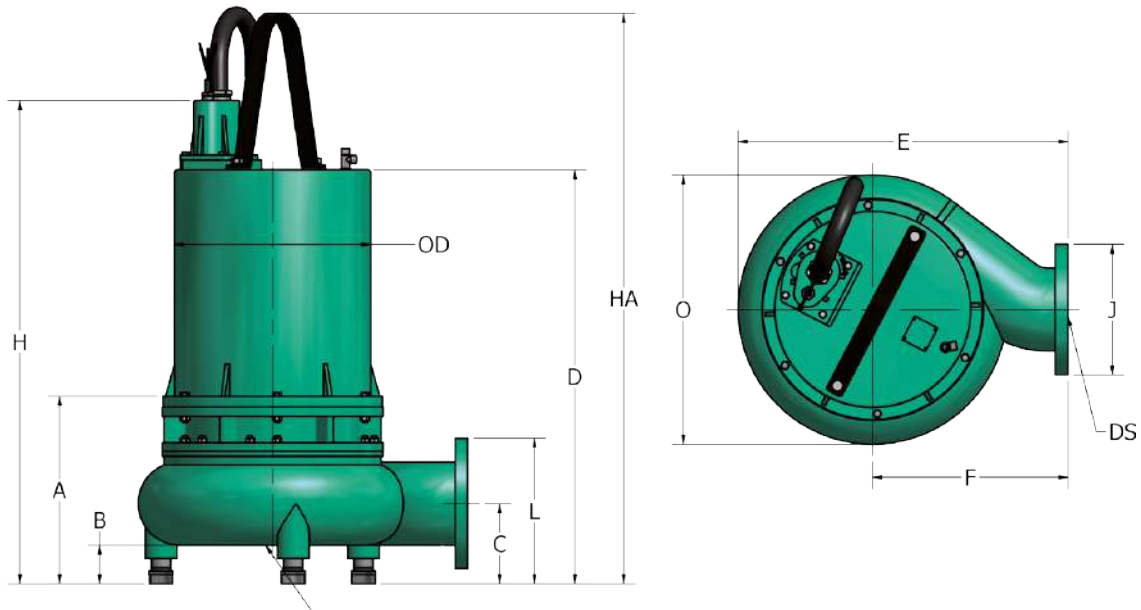
Submersible
Non clog Pumps



www.wdmpumps.com



| Dimensions (inches) | | | | | | | | | | | | | |
|---------------------|--------|----------|--------|--------|---------|-----|---------|----------|---------|----|-----|---------|-----|
| Model | Ref. | A | B | C | D | E | F | H | HA | J | L | O | Dis |
| NE 4 45-4-220 | 1C0061 | 12 1/16" | 3 1/8" | 5 1/2" | 24 3/8" | 20" | 11 3/4" | 31 1/16" | 33 5/8" | 9" | 10" | 16 3/8" | 4" |
| NE 4 45-4-440 | 1C0078 | 12 1/16" | 3 1/8" | 5 1/2" | 24 3/8" | 20" | 11 3/4" | 31 1/16" | 33 5/8" | 9" | 10" | 16 3/8" | 4" |
| NE 4 75-4-220 | 1C0062 | 12 1/16" | 3 1/8" | 5 1/2" | 24 3/8" | 20" | 11 3/4" | 31 1/16" | 33 5/8" | 9" | 10" | 16 3/8" | 4" |
| NE 4 75-4-440 | 1C0067 | 12 1/16" | 3 1/8" | 5 1/2" | 24 3/8" | 20" | 11 3/4" | 31 1/16" | 33 5/8" | 9" | 10" | 16 3/8" | 4" |
| NE 4 113-4-220 | 1C0063 | 12 1/16" | 3 1/8" | 5 1/2" | 24 3/8" | 20" | 11 3/4" | 31 1/16" | 33 5/8" | 9" | 10" | 16 3/8" | 4" |
| NE 4 113-4-440 | 1C0077 | 12 1/16" | 3 1/8" | 5 1/2" | 24 3/8" | 20" | 11 3/4" | 31 1/16" | 33 5/8" | 9" | 10" | 16 3/8" | 4" |
| NE 4 150-4-220 | 1C0064 | 12 1/16" | 3 1/8" | 5 1/2" | 24 3/8" | 20" | 11 3/4" | 31 1/16" | 33 5/8" | 9" | 10" | 16 3/8" | 4" |
| NE 4 150-4-440 | 1C0069 | 12 1/16" | 3 1/8" | 5 1/2" | 24 3/8" | 20" | 11 3/4" | 31 1/16" | 33 5/8" | 9" | 10" | 16 3/8" | 4" |



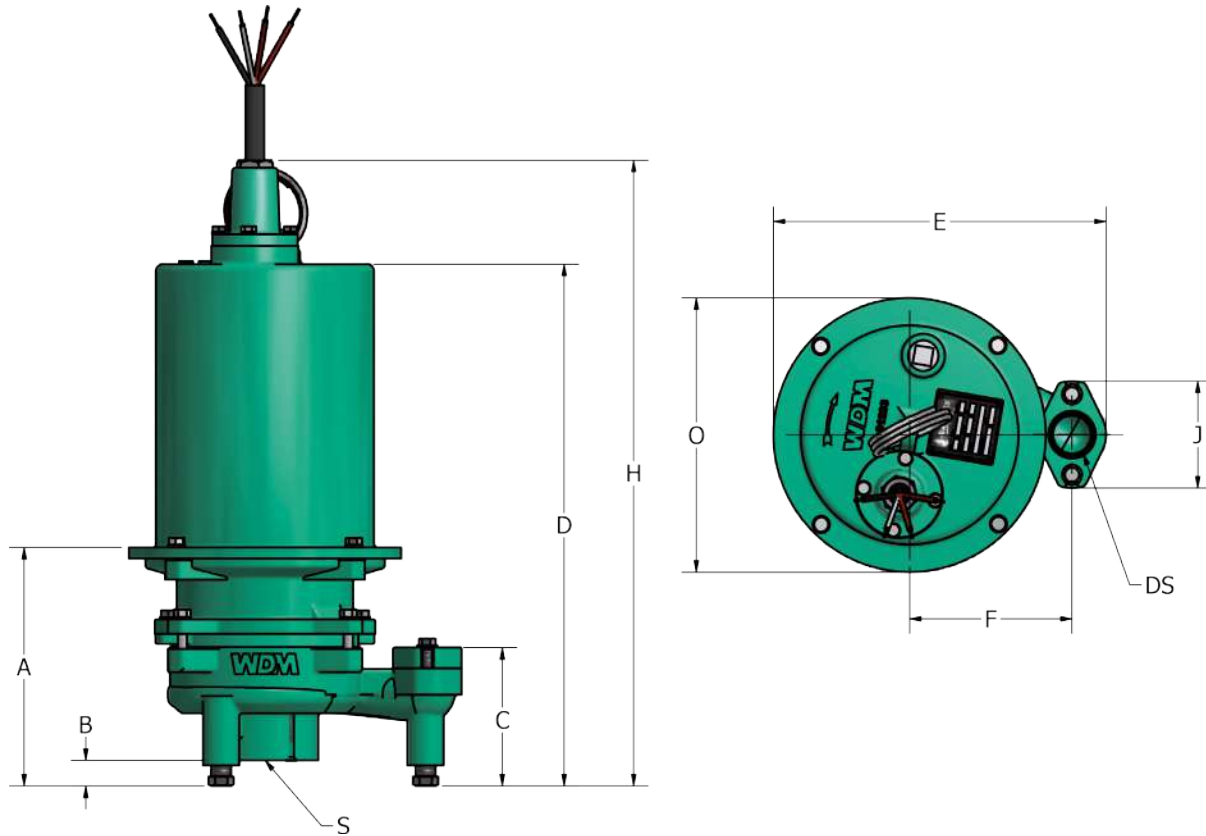
| Dimensions (Inches) | | | | | | | | | | | | | | |
|---------------------|--------|----------|--------|----------|---------|---------|---------|---------|---------|---------|---------|---------|-----|-----|
| Model | Ref. | A | B | C | D | E | F | H | HA | J | L | O | OD | Dis |
| NE 6 180-4-220 | 1C0101 | 16 3/16" | 3 3/8" | 6 15/16" | 35 3/4" | 28 1/2" | 16 7/8" | 41 3/4" | 49 1/4" | 11 1/4" | 12 1/2" | 23 1/4" | 17" | 6" |
| NE 6 180-4-440 | 1C0102 | 16 3/16" | 3 3/8" | 6 15/16" | 35 3/4" | 28 1/2" | 16 7/8" | 41 3/4" | 49 1/4" | 11 1/4" | 12 1/2" | 23 1/4" | 17" | 6" |
| NE 6 240-4-220 | 1C0103 | 16 3/16" | 3 3/8" | 6 15/16" | 35 3/4" | 28 1/2" | 16 7/8" | 41 3/4" | 49 1/4" | 11 1/4" | 12 1/2" | 23 1/4" | 17" | 6" |
| NE 6 240-4-440 | 1C0104 | 16 3/16" | 3 3/8" | 6 15/16" | 35 3/4" | 28 1/2" | 16 7/8" | 41 3/4" | 49 1/4" | 11 1/4" | 12 1/2" | 23 1/4" | 17" | 6" |
| NE 6 300-4-220 | 1C0074 | 16 3/16" | 3 3/8" | 6 15/16" | 35 3/4" | 28 1/2" | 16 7/8" | 41 3/4" | 49 1/4" | 11 1/4" | 12 1/2" | 23 1/4" | 17" | 6" |
| NE 6 300-4-440 | 1C0105 | 16 3/16" | 3 3/8" | 6 15/16" | 35 3/4" | 28 1/2" | 16 7/8" | 41 3/4" | 49 1/4" | 11 1/4" | 12 1/2" | 23 1/4" | 17" | 6" |
| NE 6 360-4-220 | 1C0106 | 16 3/16" | 3 3/8" | 6 15/16" | 35 3/4" | 28 1/2" | 16 7/8" | 41 3/4" | 49 1/4" | 11 1/4" | 12 1/2" | 23 1/4" | 17" | 6" |
| NE 6 360-4-440 | 1C0107 | 16 3/16" | 3 3/8" | 6 15/16" | 35 3/4" | 28 1/2" | 16 7/8" | 41 3/4" | 49 1/4" | 11 1/4" | 12 1/2" | 23 1/4" | 17" | 6" |
| NE 6 480-4-220 | 1C0108 | 16 3/16" | 3 3/8" | 6 15/16" | 35 3/4" | 28 1/2" | 16 7/8" | 41 3/4" | 49 1/4" | 11 1/4" | 12 1/2" | 23 1/4" | 17" | 6" |
| NE 6 480-4-440 | 1C0110 | 16 3/16" | 3 3/8" | 6 15/16" | 35 3/4" | 28 1/2" | 16 7/8" | 41 3/4" | 49 1/4" | 11 1/4" | 12 1/2" | 23 1/4" | 17" | 6" |
| NE 6 600-4-220 | 1C0111 | 16 3/16" | 3 3/8" | 6 15/16" | 35 3/4" | 28 1/2" | 16 7/8" | 41 3/4" | 49 1/4" | 11 1/4" | 12 1/2" | 23 1/4" | 17" | 6" |
| NE 6 600-4-440 | 1C0109 | 16 3/16" | 3 3/8" | 6 15/16" | 35 3/4" | 28 1/2" | 16 7/8" | 41 3/4" | 49 1/4" | 11 1/4" | 12 1/2" | 23 1/4" | 17" | 6" |
| NE 6 750-4-440 | 1C0113 | 16 3/16" | 3 3/8" | 6 15/16" | 35 3/4" | 28 1/2" | 16 7/8" | 41 3/4" | 49 1/4" | 11 1/4" | 12 1/2" | 23 1/4" | 17" | 6" |
| NE 6 90-6-220 | 1C0095 | 16 3/16" | 3 3/8" | 6 15/16" | 35 3/4" | 28 1/2" | 16 7/8" | 41 3/4" | 49 1/4" | 11 1/4" | 12 1/2" | 23 1/4" | 17" | 6" |
| NE 6 90-6-440 | 1C0096 | 16 3/16" | 3 3/8" | 6 15/16" | 35 3/4" | 28 1/2" | 16 7/8" | 41 3/4" | 49 1/4" | 11 1/4" | 12 1/2" | 23 1/4" | 17" | 6" |
| NE 6 120-6-220 | 1C0097 | 16 3/16" | 3 3/8" | 6 15/16" | 35 3/4" | 28 1/2" | 16 7/8" | 41 3/4" | 49 1/4" | 11 1/4" | 12 1/2" | 23 1/4" | 17" | 6" |
| NE 6 120-6-440 | 1C0098 | 16 3/16" | 3 3/8" | 6 15/16" | 35 3/4" | 28 1/2" | 16 7/8" | 41 3/4" | 49 1/4" | 11 1/4" | 12 1/2" | 23 1/4" | 17" | 6" |
| NE 6 180-6-220 | 1C0072 | 16 3/16" | 3 3/8" | 6 15/16" | 35 3/4" | 28 1/2" | 16 7/8" | 41 3/4" | 49 1/4" | 11 1/4" | 12 1/2" | 23 1/4" | 17" | 6" |
| NE 6 180-6-440 | 1C0099 | 16 3/16" | 3 3/8" | 6 15/16" | 35 3/4" | 28 1/2" | 16 7/8" | 41 3/4" | 49 1/4" | 11 1/4" | 12 1/2" | 23 1/4" | 17" | 6" |
| NE 6 240-6-220 | 1C0071 | 16 3/16" | 3 3/8" | 6 15/16" | 35 3/4" | 28 1/2" | 16 7/8" | 41 3/4" | 49 1/4" | 11 1/4" | 12 1/2" | 23 1/4" | 17" | 6" |
| NE 6 240-6-440 | 1C0100 | 16 3/16" | 3 3/8" | 6 15/16" | 35 3/4" | 28 1/2" | 16 7/8" | 41 3/4" | 49 1/4" | 11 1/4" | 12 1/2" | 23 1/4" | 17" | 6" |
| NE 6 300-6-220 | 1C0070 | 16 3/16" | 3 3/8" | 6 15/16" | 35 3/4" | 28 1/2" | 16 7/8" | 41 3/4" | 49 1/4" | 11 1/4" | 12 1/2" | 23 1/4" | 17" | 6" |
| NE 6 300-6-440 | 1C0073 | 16 3/16" | 3 3/8" | 6 15/16" | 35 3/4" | 28 1/2" | 16 7/8" | 41 3/4" | 49 1/4" | 11 1/4" | 12 1/2" | 23 1/4" | 17" | 6" |

Dimensional NGE 1.25 - 2 Series

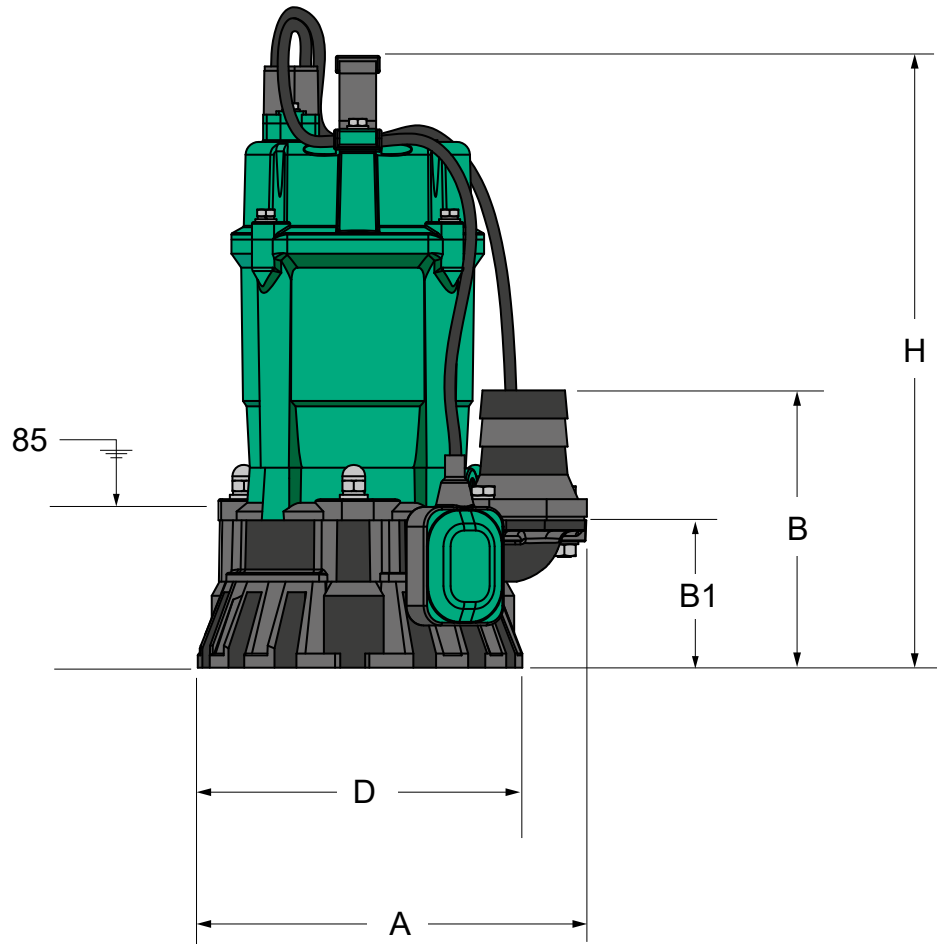
Submersible
Non clog Pump
"Grinder"



www.wdmpumps.com



| Dimensions (inches) | | | | | | | | | | | |
|---------------------|-----------|--------|-------|--------|---------|---------|---------|---------|--------|--------|--------|
| Model | Reference | A | B | C | D | E | F | H | J | O | Dis |
| NGE 1.25 20-2-220 | 1C0120 | 8-1/8" | 7/8" | 4-3/4" | 17-7/8" | 11-1/2" | 5-9/16" | 21-3/8" | 3-5/8" | 9-3/8" | 1 1/2" |
| NGE 1.25 20-2-440 | 1C0121 | 8-1/8" | 7/8" | 4-3/4" | 17-7/8" | 11-1/2" | 5-9/16" | 21-3/8" | 3-5/8" | 9-3/8" | 1 1/2" |
| NG 2 30-2-220 | 1C0122 | 12 1/4 | 2 5/8 | 6 7/8 | 23 5/8 | 13 7/8 | 7 1/2 | 30 5/8 | 3 3/8 | 9 3/8 | 2 |
| NG 2 30-2-440 | 1C0123 | 12 1/4 | 2 5/8 | 6 7/8 | 23 5/8 | 13 7/8 | 7 1/2 | 30 5/8 | 3 3/8 | 9 3/8 | 2 |
| NG 2 50-2-220 | 1C0124 | 12 1/4 | 2 5/8 | 6 7/8 | 23 5/8 | 13 7/8 | 7 1/2 | 30 5/8 | 3 3/8 | 9 3/8 | 2 |
| NG 2 50-2-440 | 1C0125 | 12 1/4 | 2 5/8 | 6 7/8 | 23 5/8 | 13 7/8 | 7 1/2 | 30 5/8 | 3 3/8 | 9 3/8 | 2 |
| NG 2 75-2-220 | 1C0126 | 12 1/4 | 2 5/8 | 6 7/8 | 23 5/8 | 13 7/8 | 7 1/2 | 30 5/8 | 3 3/8 | 9 3/8 | 2 |
| NG 2 75-2-440 | 1C0127 | 12 1/4 | 2 5/8 | 6 7/8 | 23 5/8 | 13 7/8 | 7 1/2 | 30 5/8 | 3 3/8 | 9 3/8 | 2 |



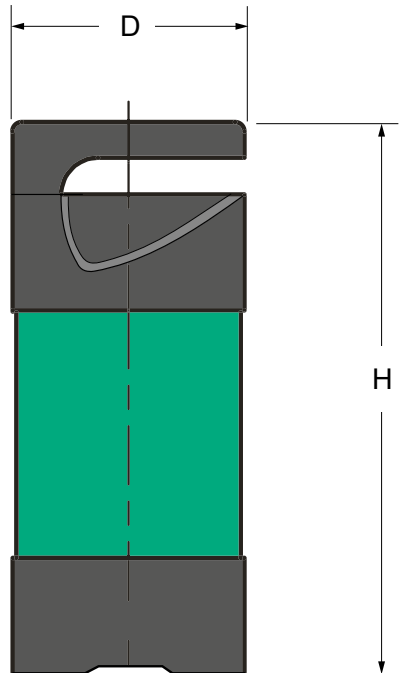
| Dimensions (inches) | | | | | | | | |
|---------------------|-------|--------|----------|---------|---------|--------|---------|-----|
| Model | Ref. | D | A | B | B1 | D | H | Dis |
| NTE 2 5-1-2-110 | E0926 | 1 1/4" | 9 3/8" | 6 3/16" | 3 5/16" | 1 1/4" | 14 3/8" | 2" |
| NTE 3 10-1-2-110 | E0928 | 1 1/4" | 11 3/16" | 8 1/2" | 4 5/16" | 1 1/4" | 15 3/8" | 3" |

Dimensional NNE Series

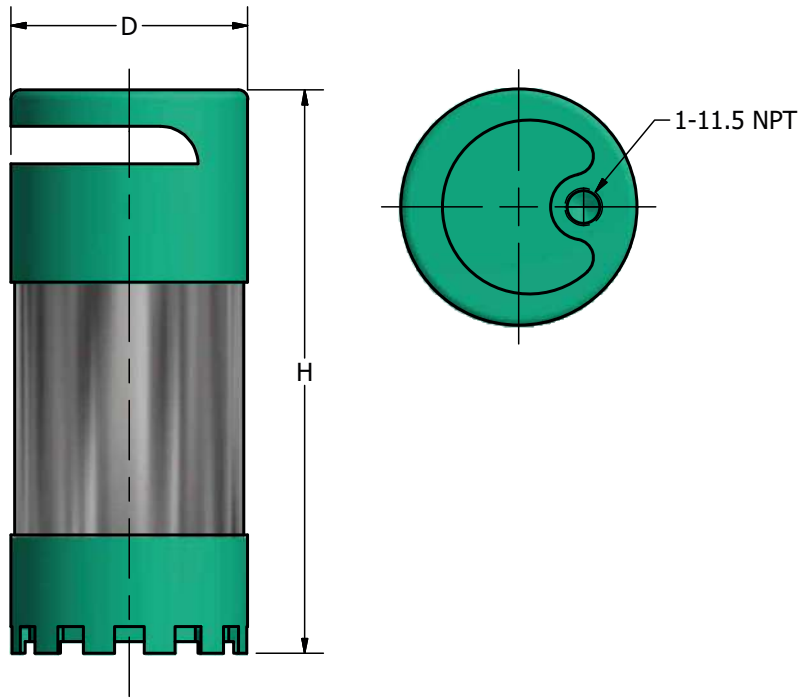
Submersible
Non clog Pumps



www.wdmpumps.com



| Dimensions (inches) | | | | |
|---------------------|-------|--------|---------|--------|
| Model | Ref. | D | H | Dis |
| NNE 1.25 5-1-2 | E0369 | 5 7/8" | 11" | 1 1/4" |
| NNE 1.25 10-1-2 | E0740 | 6 1/4" | 11 1/4" | 1 1/4" |



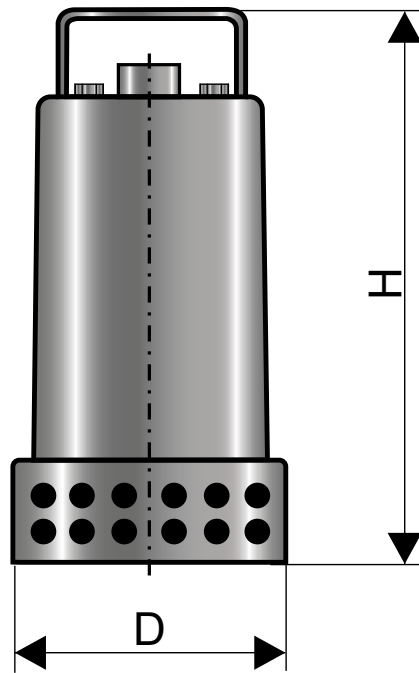
| Dimensions (inches) | | | | |
|---------------------|-------|--------|---------|-----|
| Model | Ref. | D | H | Dis |
| NSE 1 13-1-2-110 | E0890 | 6 1/4" | 15 3/8" | 1" |

Dimensional NSE Series

Submersible
Non clog Pumps



www.wdmpumps.com



| Dimensions (inches) | | | | |
|---------------------|-------|--------|-----|-----|
| Model | Ref. | D | H | Dis |
| NSE 1 5-1-2-110 | E0741 | 5 1/2" | 11" | 1" |

| Model | Ref. | Repair Kit Seal |
|-----------------|--------|-----------------|
| NE 2 4-1-4-110 | 1C0016 | 0C0016RK |
| NE 3 20-2-220 | 1C0022 | 0C0022RK |
| NE 3 20-2-440 | 1C0018 | 0C0018RK |
| NE 3 30-2-220 | 1C0033 | 0C0033RK |
| NE 3 30-2-440 | 1C0034 | 0C0034RK |
| NE 3 5-1-4-110 | 1C0030 | 0C0030RK |
| NE 3 7-1-4-220 | 1C0031 | 0C0031RK |
| NE 3 10-1-4-220 | 1C0025 | 0C0025RK |
| NE 3 10-4-220 | 1C0014 | 0C0014RK |
| NE 3 10-4-440 | 1C0013 | 0C0013RK |
| NE 3 20-4-220 | 1C0024 | 0C0024RK |
| NE 3 20-4-440 | 1C0032 | 0C0032RK |
| NE 3 30-4-220 | 1C0027 | 0C0027RK |
| NE 3 30-4-440 | 1C0028 | 0C0028RK |
| NE 4 45-4-220 | 1C0061 | 0C0061RK |
| NE 4 45-4-440 | 1C0078 | 0C0078RK |
| NE 4 75-4-220 | 1C0062 | 0C0062RK |
| NE 4 75-4-440 | 1C0067 | 0C0067RK |
| NE 4 113-4-220 | 1C0063 | 0C0063RK |
| NE 4 113-4-440 | 1C0077 | 0C0077RK |
| NE 4 150-4-220 | 1C0064 | 0C0064RK |
| NE 4 150-4-440 | 1C0069 | 0C0069RK |
| NE 6 180-4-220 | 1C0101 | 0C0101RK |
| NE 6 180-4-440 | 1C0102 | 0C0102RK |
| NE 6 240-4-220 | 1C0103 | 0C0103RK |
| NE 6 240-4-440 | 1C0104 | 0C0104RK |
| NE 6 300-4-220 | 1C0074 | 0C0074RK |
| NE 6 300-4-440 | 1C0105 | 0C0105RK |
| NE 6 360-4-220 | 1C0106 | 0C0106RK |
| NE 6 360-4-440 | 1C0107 | 0C0107RK |

| Model | Ref. | Repair Kit Seal |
|----------------|--------|-----------------|
| NE 6 480-4-220 | 1C0108 | 0C0108RK |
| NE 6 480-4-440 | 1C0110 | 0C0110RK |
| NE 6 600-4-220 | 1C0111 | 0C0111RK |
| NE 6 600-4-440 | 1C0109 | 0C0109RK |
| NE 6 750-4-440 | 1C0113 | 0C0113RK |
| NE 6 90-6-220 | 1C0095 | 0C0095RK |
| NE 6 90-6-440 | 1C0096 | 0C0096RK |
| NE 6 120-6-220 | 1C0097 | 0C0097RK |
| NE 6 120-6-440 | 1C0098 | 0C0098RK |
| NE 6 180-6-220 | 1C0072 | 0C0072RK |
| NE 6 180-6-440 | 1C0099 | 0C0099RK |
| NE 6 240-6-220 | 1C0071 | 0C0071RK |
| NE 6 240-6-440 | 1C0100 | 0C0100RK |
| NE 6 300-6-220 | 1C0070 | 0C0070RK |
| NE 6 300-6-440 | 1C0073 | 0C0073RK |

| Model | Ref. | Repair Kit Seal |
|---------------|--------|-----------------|
| NG 2 30-2-220 | 1C0122 | 0C0122RK |
| NG 2 30-2-440 | 1C0123 | 0C0123RK |
| NG 2 50-2-220 | 1C0124 | 0C0124RK |
| NG 2 50-2-440 | 1C0125 | 0C0125RK |
| NG 2 75-2-220 | 1C0126 | 0C0126RK |
| NG 2 75-2-440 | 1C0127 | 0C0127RK |

Submersible Non clog Pumps

NE 2 4-1-4-110

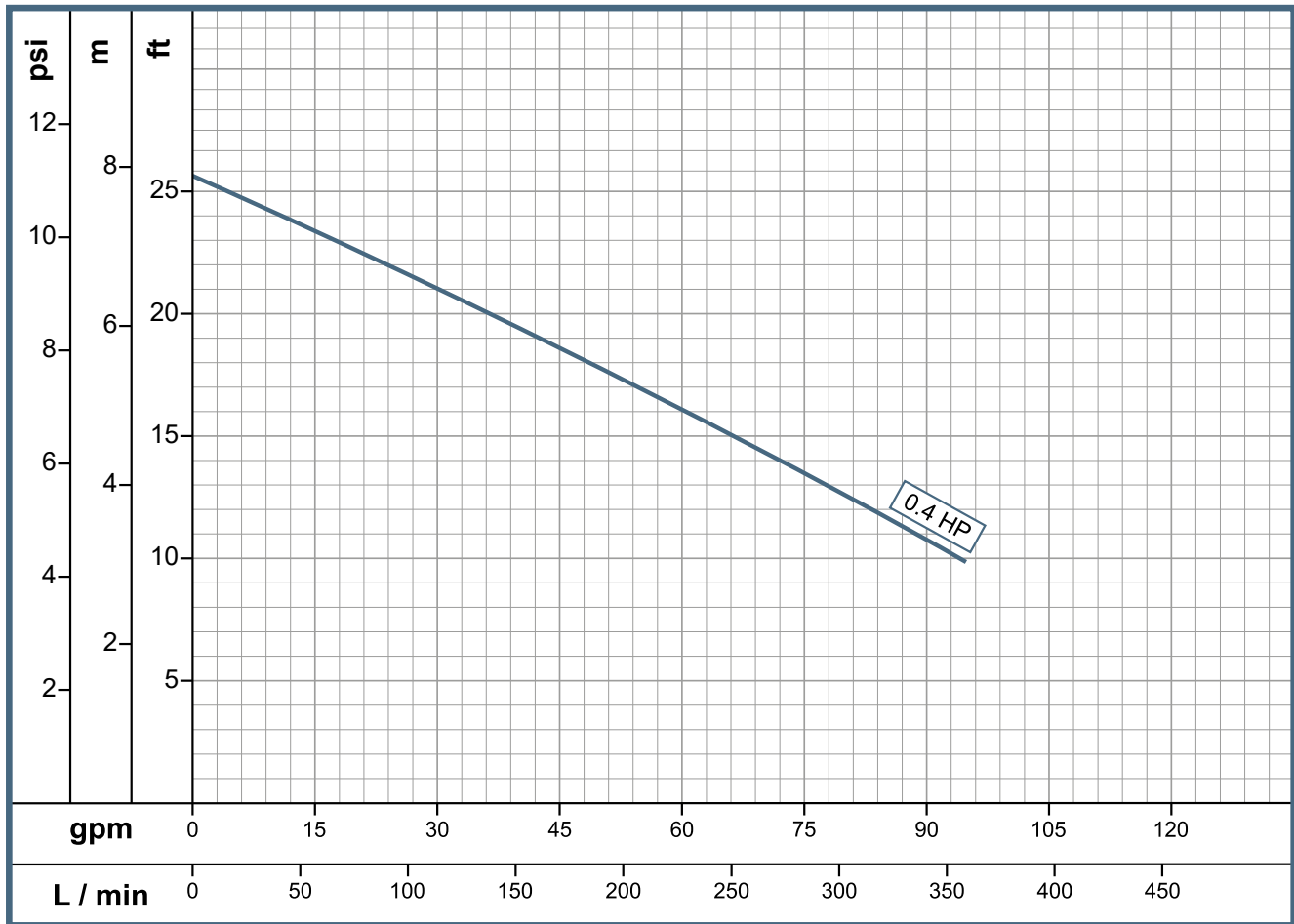


www.wdmpumps.com

| Pump Features | | | |
|--------------------|---------------|-----------------------------|------------------|
| Pump type | Design | Impeller | Stages |
| Vertical Discharge | Close Coupled | 2 Vane Semi Open (ISO G6.3) | 1 |
| Mechanical Seal | Fluid Temp | Cord Entry | Ø Solid Handling |
| 1/2" T21 | 104°F | 16.4 Ft | 2" |
| Model | Reference | Ø Discharge | Ø Impeller |
| NE 2 4-1-4-110 | 1C0016 | 2" NPT | 5.440" |

| Motor Features | | | | |
|----------------|--------|-----------------|----------------|----------|
| Drive | | Speed (rpm) | Frequency (Hz) | |
| Electric | | 1,800 (nominal) | 60 | |
| Power (hp) | Phases | Voltage (V) | Motor Casing | Frame |
| 0.4 | 1 | 115 | ODP | NEMA 48J |

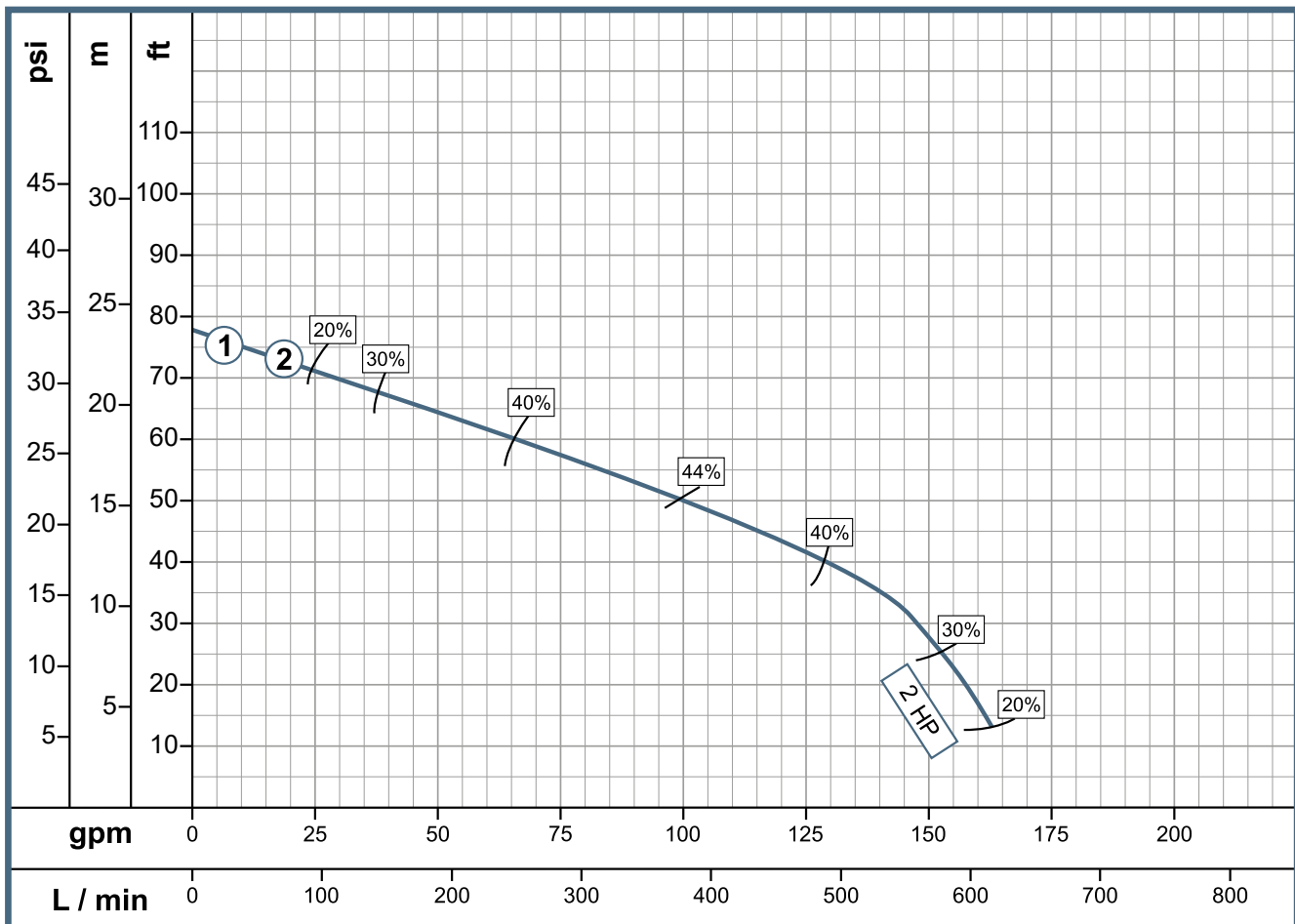
Performance Curve



| Pump Features | | | | |
|--------------------|---------------|-----------------------------|------------------|--|
| Pump type | Design | Impeller | Stages | |
| Vertical Discharge | Close Coupled | 2 Vane Semi Open (ISO G6.3) | 1 | |
| Mechanical Seal | Fluid Temp | Cord Entry | Ø Solid Handling | |
| 1" T6 | 104°F | 16.4 ft | 2" | |
| Model | Reference | Ø Discharge | Ø Impeller | |
| 1 | NE 3 20-2-220 | 1C0022 | 3" NPT | |
| 2 | NE 3 20-2-440 | 1C0018 | 3" NPT | |

| Motor Features | | | | |
|----------------|--------|-----------------|----------------|----------|
| Drive | | Speed (rpm) | Frequency (Hz) | |
| Electric | | 3,600 (nominal) | 60 | |
| Power (hp) | Phases | Voltage (V) | Motor Casing | Frame |
| 2 | 3 | 230 | ODP | NEMA 63J |
| 2 | 3 | 460 | ODP | NEMA 63J |

Performance Curve



Submersible Non clog Pumps

NE 3 30-2-220
NE 3 30-2-440

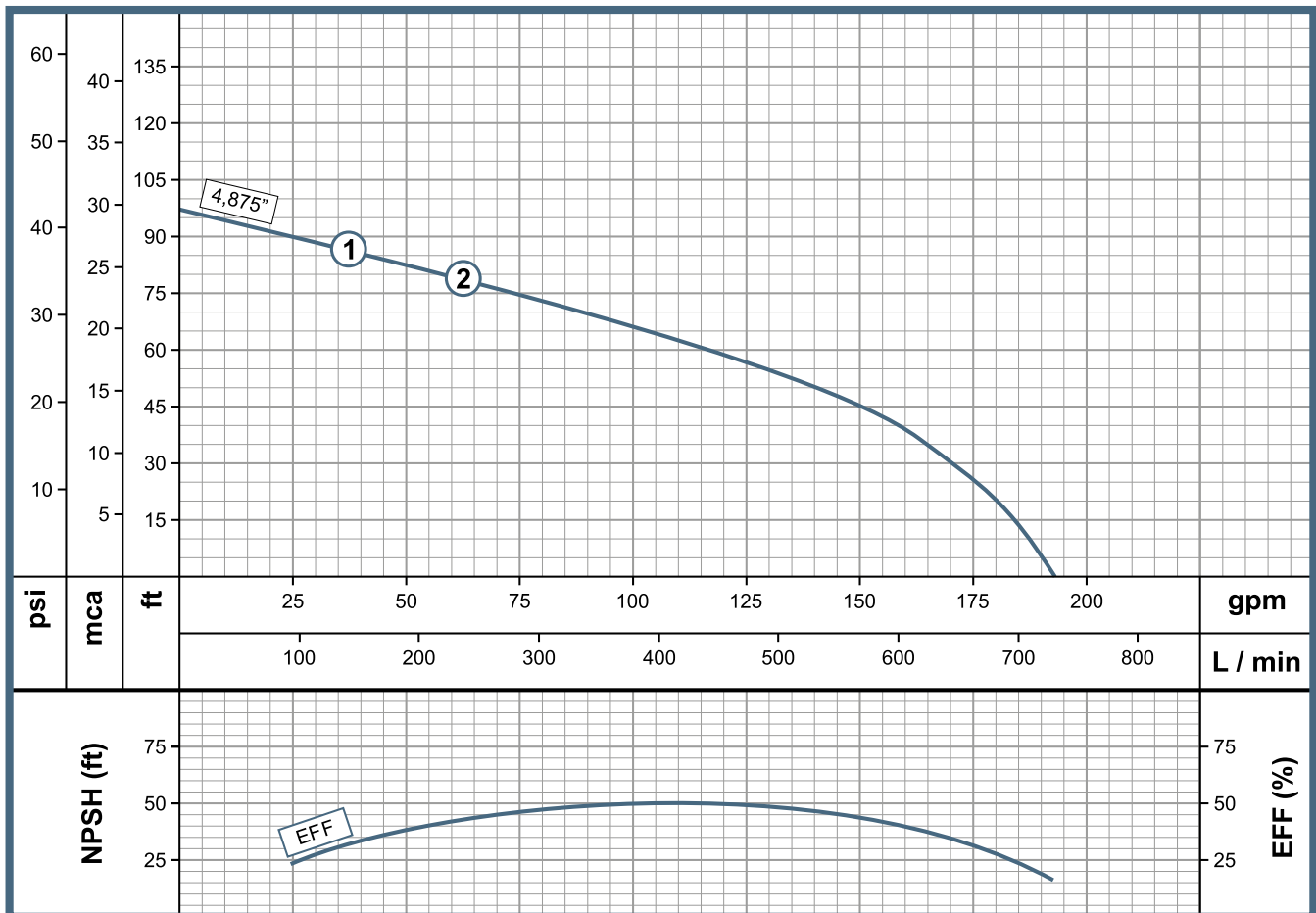


www.wdmpumps.com

| Pump Features | | | | |
|--------------------|---------------|-----------------------------|------------------|--|
| Pump type | Design | Impeller | Stages | |
| Vertical Discharge | Close Coupled | 2 Vane Semi Open (ISO G6.3) | 1 | |
| Mechanical Seal | Fluid Temp | Cord Entry | Ø Solid Handling | |
| 1" T6 | 104°F | 16.4 ft | 1 1/2" | |
| Model | Reference | Ø Discharge | Ø Impeller | |
| 1 | NE 3 30-2-220 | 1C0033 | 3" NPT | |
| 2 | NE 3 30-2-440 | 1C0034 | 3" NPT | |

| Motor Features | | | | |
|----------------|--------|-----------------|----------------|----------|
| Drive | | Speed (rpm) | Frequency (Hz) | |
| Electric | | 3,600 (nominal) | 60 | |
| Power (hp) | Phases | Voltage (V) | Motor Casing | Frame |
| 3 | 3 | 230 | ODP | NEMA 63J |
| 3 | 3 | 460 | ODP | NEMA 63J |

Performance Curve





Submersible Non clog Pumps

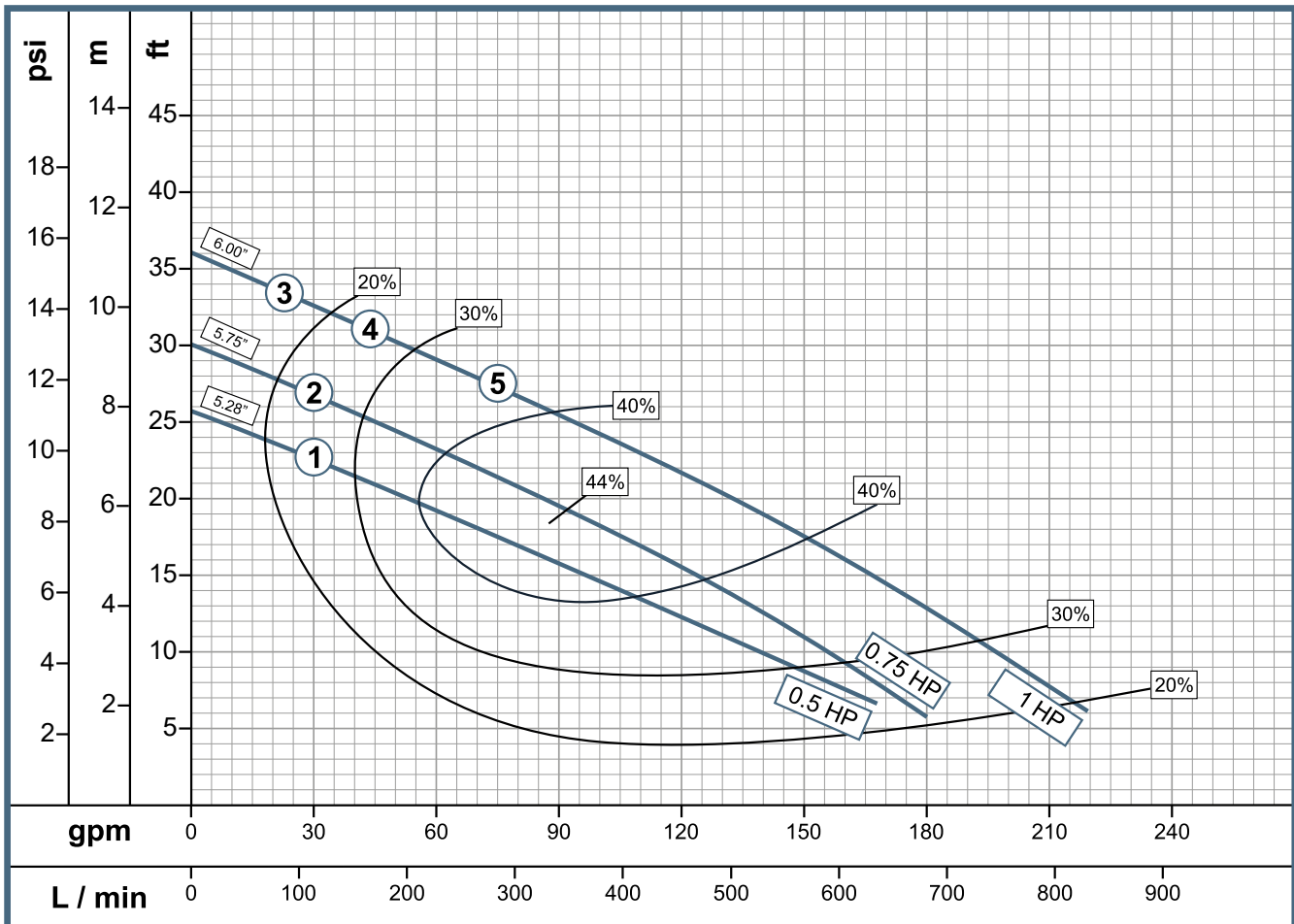
- NE 3 5-1-4-110
- NE 3 7-1-4-220
- NE 3 10-1-4-220
- NE 3 10-4-220
- NE 3 10-4-440

www.wdmpumps.com

| Pump Features | | | | |
|--------------------|-----------------|-----------------------------|------------------|--|
| Pump type | Design | Impeller | Stages | |
| Vertical Discharge | Close Coupled | 2 Vane Semi Open (ISO G6.3) | 1 | |
| Mechanical Seal | Fluid Temp | Cord Entry | Ø Solid Handling | |
| 5/8" T21 | 104°F | 16.4 Ft | 2" | |
| Model | Reference | Ø Discharge | Ø Impeller | |
| 1 | NE 3 5-1-4-110 | 1C0030 | 3" NPT | |
| 2 | NE 3 7-1-4-220 | 1C0031 | 3" NPT | |
| 3 | NE 3 10-1-4-220 | 1C0025 | 3" NPT | |
| 4 | NE 3 10-4-220 | 1C0014 | 3" NPT | |
| 5 | NE 3 10-4-440 | 1C0013 | 3" NPT | |

| Motor Features | | | | |
|----------------|--------|-----------------|----------------|----------|
| Drive | | Speed (rpm) | Frequency (Hz) | |
| Electric | | 1,800 (nominal) | 60 | |
| Power (hp) | Phases | Voltage (V) | Motor Casing | Frame |
| 0.5 | 1 | 115 | ODP | NEMA 55J |
| 0.75 | 1 | 230 | ODP | NEMA 55J |
| 1 | 1 | 230 | ODP | NEMA 55J |
| 1 | 3 | 230 | ODP | NEMA 55J |
| 1 | 3 | 460 | ODP | NEMA 55J |

Performance Curve



Technical features are subject to change without notice.

Submersible Non clog Pumps

NE 3 20-4-220
NE 3 20-4-440

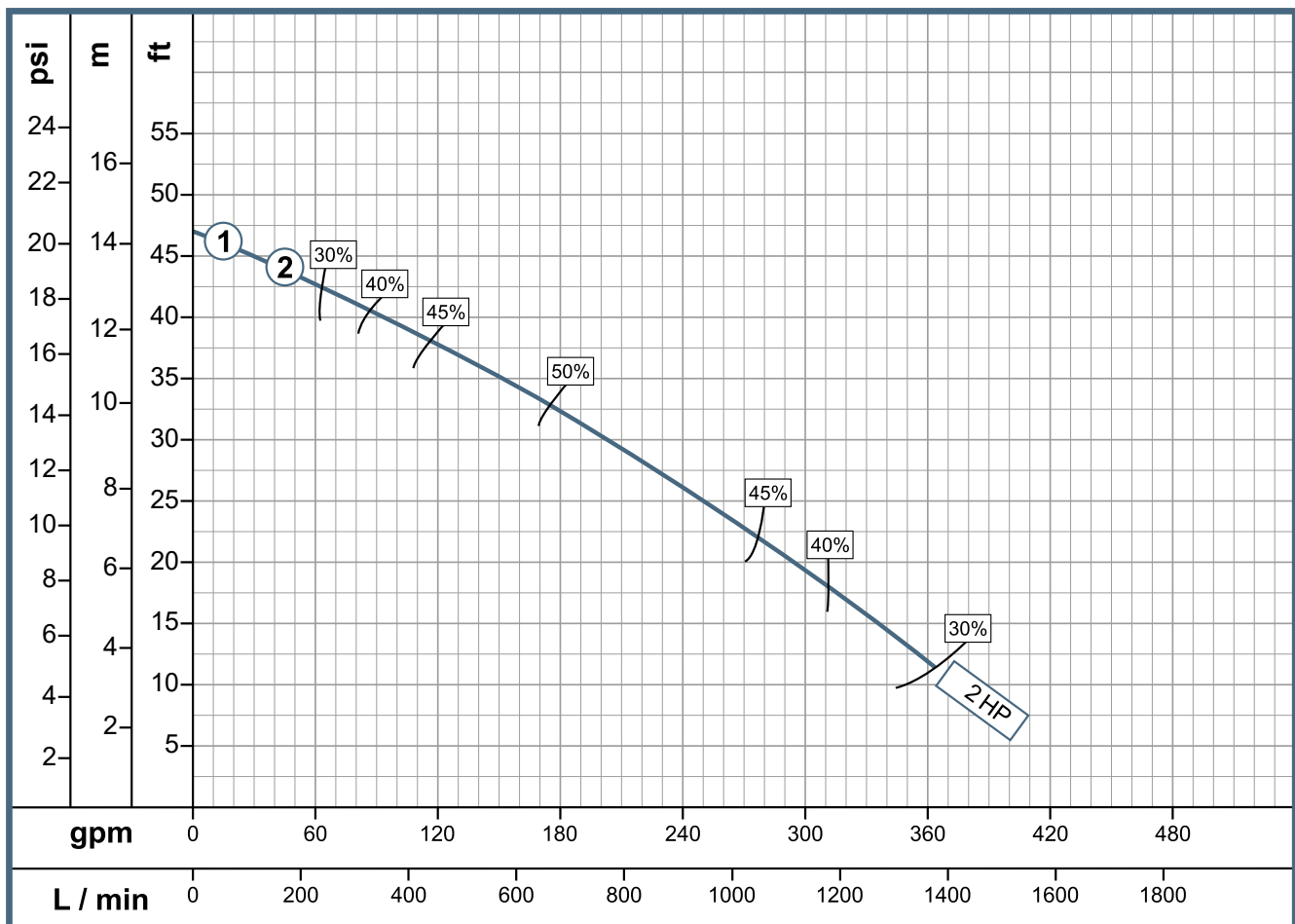


www.wdmpumps.com

| Pump Features | | | | |
|--------------------|---------------|-----------------------------|------------------|--|
| Pump type | Design | Impeller | Stages | |
| Vertical Discharge | Close Coupled | 2 Vane Semi Open (ISO G6.3) | 1 | |
| Mechanical Seal | Fluid Temp | Cord Entry | Ø Solid Handling | |
| 1" T6 | 104°F | 16.4 Ft | 2 1/2" | |
| Model | Reference | Ø Discharge | Ø Impeller | |
| 1 | NE 3 20-4-220 | 1C0024 | 3" NPT | |
| 2 | NE 3 20-4-440 | 1C0032 | 3" NPT | |

| Motor Features | | | | |
|----------------|-----------------|----------------|--------------|----------|
| Drive | Speed (rpm) | Frequency (Hz) | | |
| Electric | 1.800 (nominal) | 60 | | |
| Power (hp) | Phases | Voltage (V) | Motor Casing | Frame |
| 2 | 3 | 230 | ODP | NEMA 63J |
| 2 | 3 | 460 | ODP | NEMA 63J |

Performance Curve





Submersible Non clog Pumps

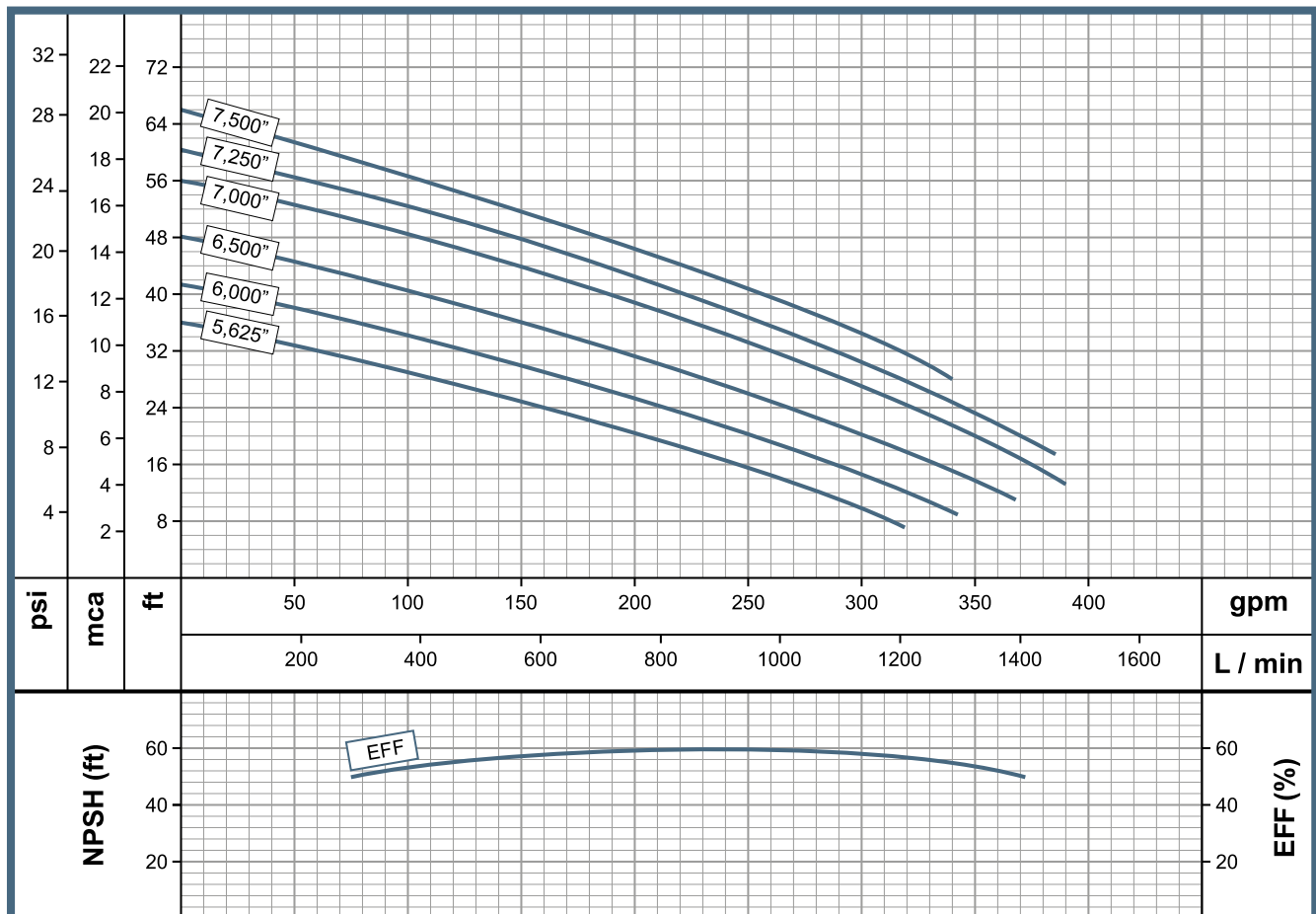
NE 3 30-4-220
NE 3 30-4-440

www.wdmpumps.com

| Pump Features | | | | |
|--------------------|---------------|-----------------------------|------------------|--|
| Pump type | Design | Impeller | Stages | |
| Vertical Discharge | Close Coupled | 2 Vane Semi Open (ISO G6.3) | 1 | |
| Mechanical Seal | Fluid Temp | Cord Entry | Ø Solid Handling | |
| 1" T6 | 104°F | 16.4 Ft | 2 1/2" | |
| Model | Reference | Ø Discharge | Ø Impeller | |
| 1 | NE 3 30-4-220 | 1C0027 | 3" NPT | |
| 2 | NE 3 30-4-440 | 1C0028 | 3" NPT | |

| Motor Features | | | | |
|----------------|--------|-----------------|----------------|----------|
| Drive | | Speed (rpm) | Frequency (Hz) | |
| Electric | | 1.800 (nominal) | 60 | |
| Power (hp) | Phases | Voltage (V) | Motor Casing | Frame |
| 3 | 3 | 230 | ODP | NEMA 63J |
| 3 | 3 | 460 | ODP | NEMA 63J |

Performance Curve



Submersible Non clog Pumps

NHE 3 10-1-2-220
NHE 3 20-2-220
NHE 3 20-2-440
NHE 3 30-2-220
NHE 3 30-2-440

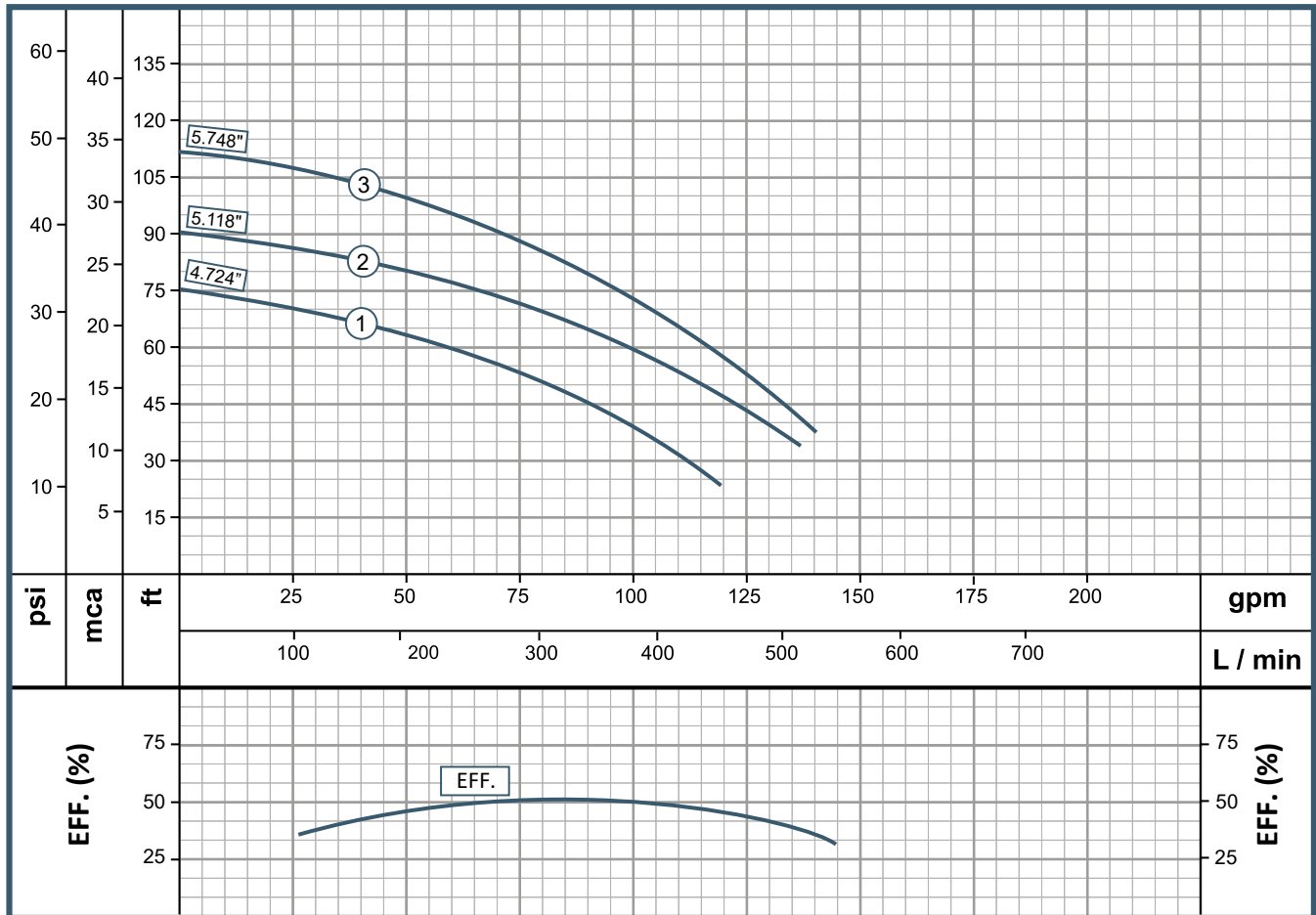


www.wdmpumps.com

| Pump Features | | | | | | |
|---------------|------------------|----------------|-------------|----------------------|----------------|-----|
| Pump type | | Design | Stages | Impeller | | |
| Centrifugal | | Closed Coupled | 1 | Semi Open (ISO G6.3) | | |
| Fluid Temp | | Cord Entry | | Ø Solid Handling | | |
| 104°F | | 16 ft | | 1/4 " | | |
| Model | Reference | Ø Discharge | Weight (lb) | Head Max (ft) | Flow Max (GPM) | |
| 1 | NHE 3 10-1-2-220 | 1C0019 | 3 | 143 | 75 | 120 |
| 2 | NHE 3 20-2-220 | 1C0020 | 3 | 148 | 89 | 135 |
| 2 | NHE 3 20-2-440 | 1C0021 | 3 | 148 | 89 | 135 |
| 3 | NHE 3 30-2-220 | 1C0011 | 3 | 154 | 112 | 140 |
| 3 | NHE 3 30-2-440 | 1C0012 | 3 | 154 | 112 | 140 |

| Motor Features | | | |
|----------------|-----------------|----------------|--------------------------|
| Drive | Speed (rpm) | Frequency (Hz) | Inmersion Depth Max (Ft) |
| Electric | 3,450 (Nominal) | 60 | NA |
| Power (Hp) | Phases | Voltage (V) | Motor Casing |
| 3 | 3 | 220 | ODP |
| 3 | 3 | 220 | ODP |
| 3 | 3 | 440 | ODP |
| 3 | 3 | 220 | ODP |
| 3 | 3 | 440 | ODP |

Performance Curve





Submersible Non clog Pumps

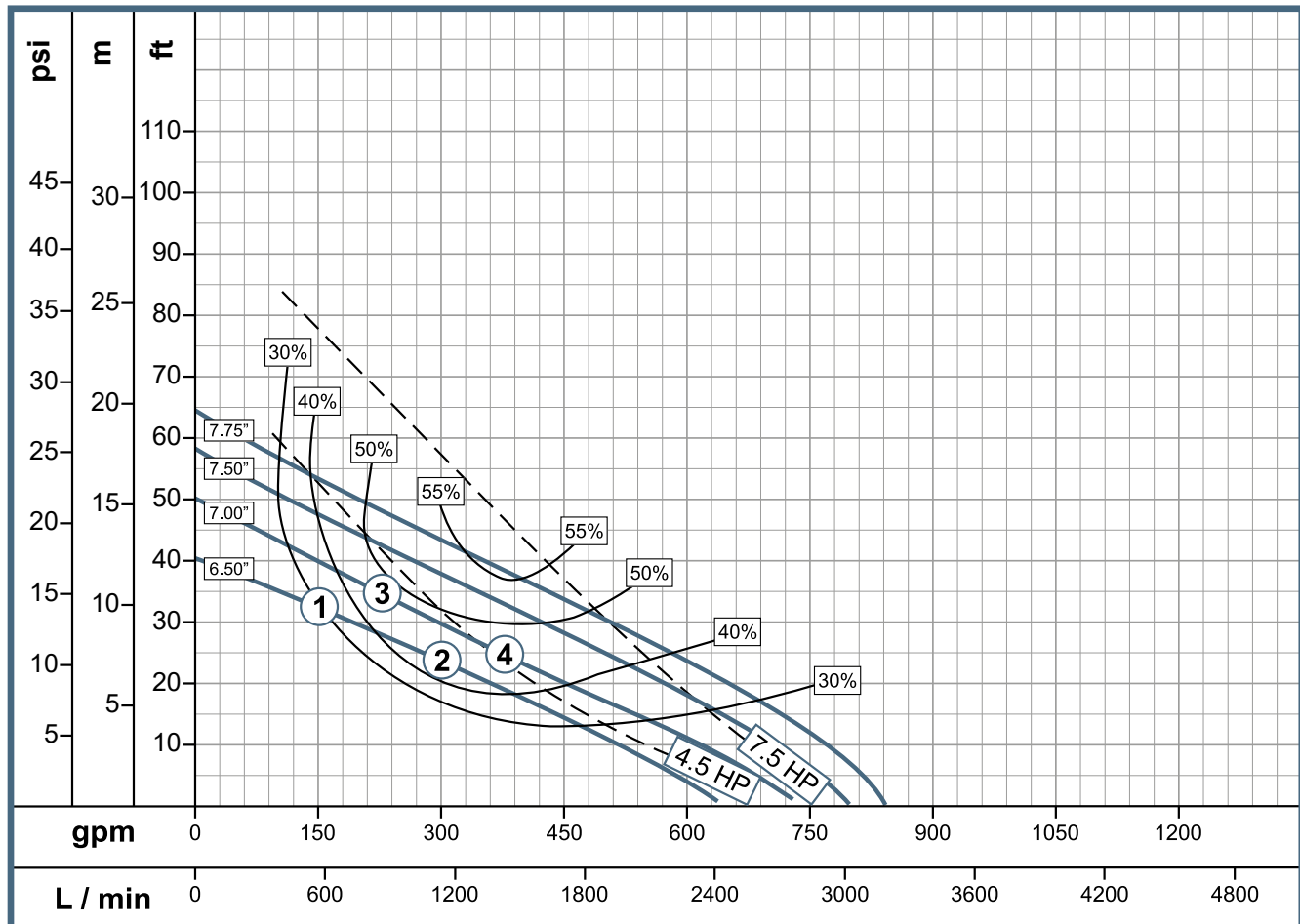
- NE 4 45-4-220
- NE 4 45-4-440
- NE 4 75-4-220
- NE 4 75-4-440

www.wdmpumps.com

| Pump Features | | | | |
|--------------------|---------------|-----------------------------|------------------|--|
| Pump type | Design | Impeller | Stages | |
| Vertical Discharge | Close Coupled | 2 Vane Semi Open (ISO G6.3) | 1 | |
| Mechanical Seal | Fluid Temp | Cord Entry | Ø Solid Handling | |
| 1 1/4" T21 | 104°F | 26.2 Ft | 3" | |
| Model | Reference | Ø Discharge | Ø Impeller | |
| 1 | NE 4 45-4-220 | 1C0061 | 4" F 6.500" | |
| 2 | NE 4 45-4-440 | 1C0078 | 4" F 6.500" | |
| 3 | NE 4 75-4-220 | 1C0062 | 4" F 7.000" | |
| 4 | NE 4 75-4-440 | 1C0067 | 4" F 7.000" | |

| Motor Features | | | | |
|----------------|--------|-----------------|----------------|-----------|
| Drive | | Speed (rpm) | Frequency (Hz) | |
| Electric | | 1,800 (nominal) | 60 | |
| Power (hp) | Phases | Voltage (V) | Motor Casing | Frame |
| 4.5 | 3 | 230 | ODP | NEMA 182J |
| 4.5 | 3 | 460 | ODP | NEMA 182J |
| 4.5 | 3 | 230 | ODP | NEMA 182J |
| 4.5 | 3 | 460 | ODP | NEMA 182J |

Performance Curve



Technical features are subject to change without notice.

Submersible Non clog Pumps

NE 4 113-4-220
NE 4 113-4-440
NE 4 150-4-220
NE 4 150-4-440

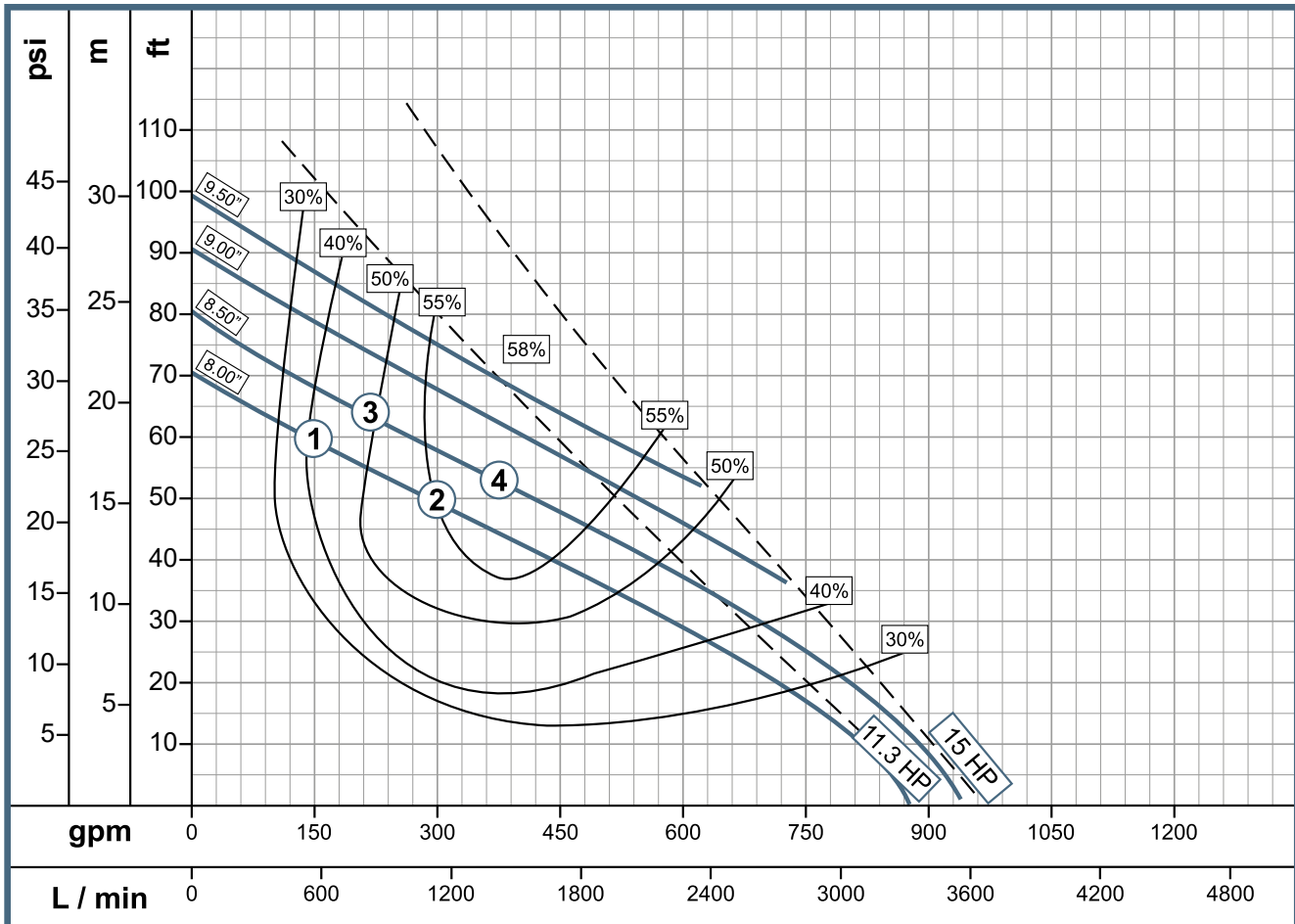


www.wdmpumps.com

| Pump Features | | | | |
|--------------------|----------------|-----------------------------|------------------|--|
| Pump type | Design | Impeller | Stages | |
| Vertical Discharge | Close Coupled | 2 Vane Semi Open (ISO G6.3) | 1 | |
| Mechanical Seal | Fluid Temp | Cord Entry | Ø Solid Handling | |
| 1 1/4" T21 | 104°F | 26.2 Ft | 4" | |
| Model | Reference | Ø Discharge | Ø Impeller | |
| 1 | NE 4 113-4-220 | 1C0063 | 4" F 8.000" | |
| 2 | NE 4 113-4-440 | 1C0077 | 4" F 8.000" | |
| 3 | NE 4 150-4-220 | 1C0064 | 4" F 8.500" | |
| 4 | NE 4 150-4-440 | 1C0069 | 4" F 8.500" | |

| Motor Features | | | | |
|----------------|--------|-----------------|----------------|-----------|
| Drive | | Speed (rpm) | Frequency (Hz) | |
| Electric | | 1.800 (nominal) | 60 | |
| Power (hp) | Phases | Voltage (V) | Motor Casing | Frame |
| 11.3 | 3 | 230 | ODP | NEMA 213J |
| 11.3 | 3 | 460 | ODP | NEMA 213J |
| 15 | 3 | 230 | ODP | NEMA 213J |
| 15 | 3 | 460 | ODP | NEMA 213J |

Performance Curve





Submersible Non clog Pumps

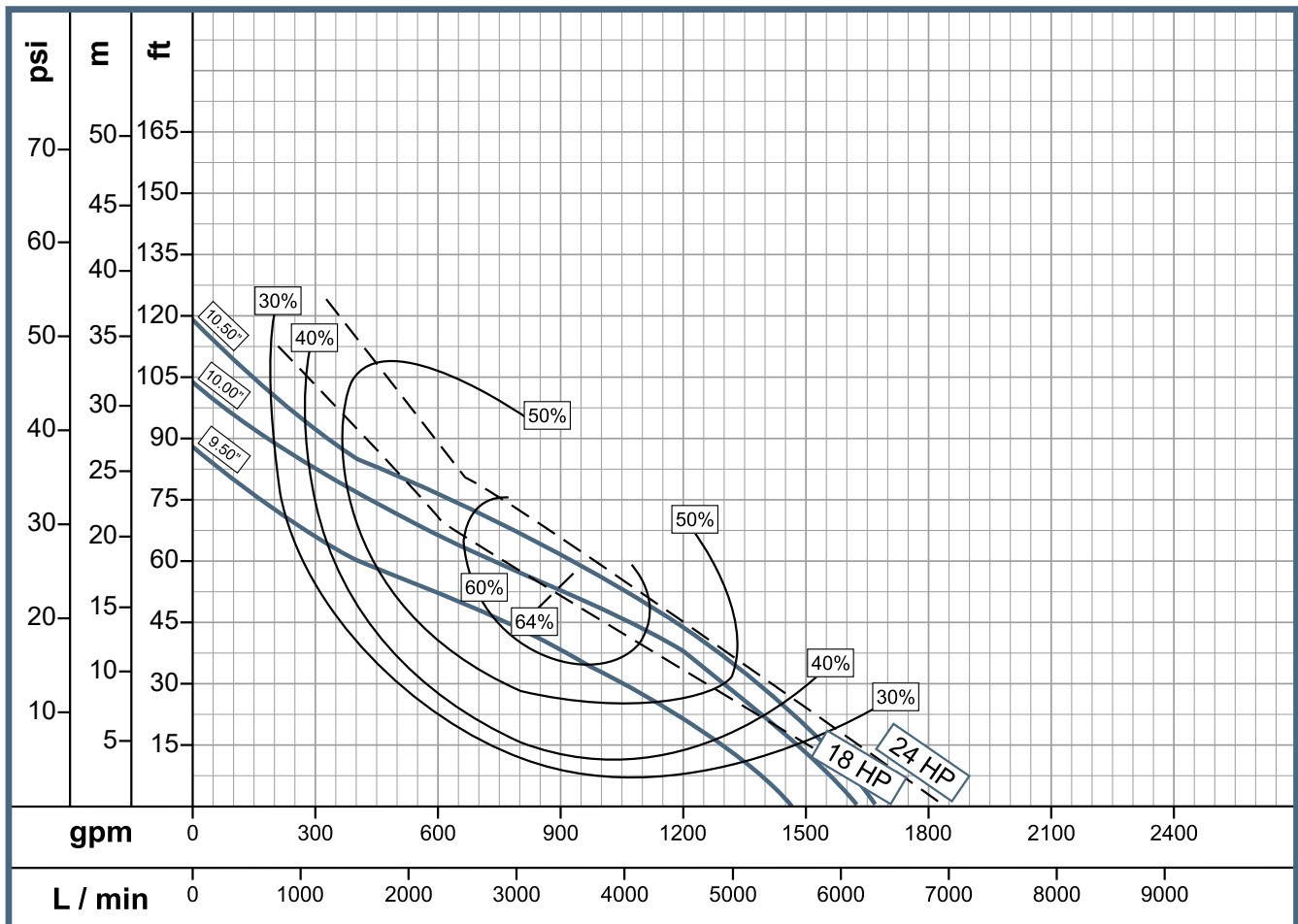
NE 6 180-4-220
 NE 6 180-4-440
 NE 6 240-4-220
 NE 6 240-4-440

www.wdmpumps.com

| Pump Features | | | | |
|--------------------|----------------|-----------------------------|------------------|--|
| Pump type | Design | Impeller | Stages | |
| Vertical Discharge | Close Coupled | 1 Vane Semi Open (ISO G6.3) | 1 | |
| Mechanical Seal | Fluid Temp | Cord Entry | Ø Solid Handling | |
| 1 7/8" T21 | 104°F | 26.2 Ft | 4" | |
| Model | Reference | Ø Discharge | Ø Impeller | |
| 1 | NE 6 180-4-220 | 1C0101 | 6" F 9.500" | |
| 2 | NE 6 240-4-440 | 1C0102 | 6" F 9.500" | |
| 3 | NE 6 240-4-220 | 1C0103 | 6" F 10.500" | |
| 4 | NE 6 240-4-440 | 1C0104 | 6" F 10.500" | |

| Motor Features | | | | |
|----------------|--------|-----------------|----------------|-----------|
| Drive | | Speed (rpm) | Frequency (Hz) | |
| Electric | | 1.800 (nominal) | 60 | |
| Power (hp) | Phases | Voltage (V) | Motor Casing | Frame |
| 18 | 3 | 230 | ODP | NEMA 256J |
| 18 | 3 | 460 | ODP | NEMA 256J |
| 24 | 3 | 230 | ODP | NEMA 256J |
| 24 | 3 | 460 | ODP | NEMA 256J |

Performance Curve



Technical features are subject to change without notice.

Submersible Non clog Pumps

NE 6 300-4-220
NE 6 300-4-440
NE 6 360-4-220
NE 6 360-4-440

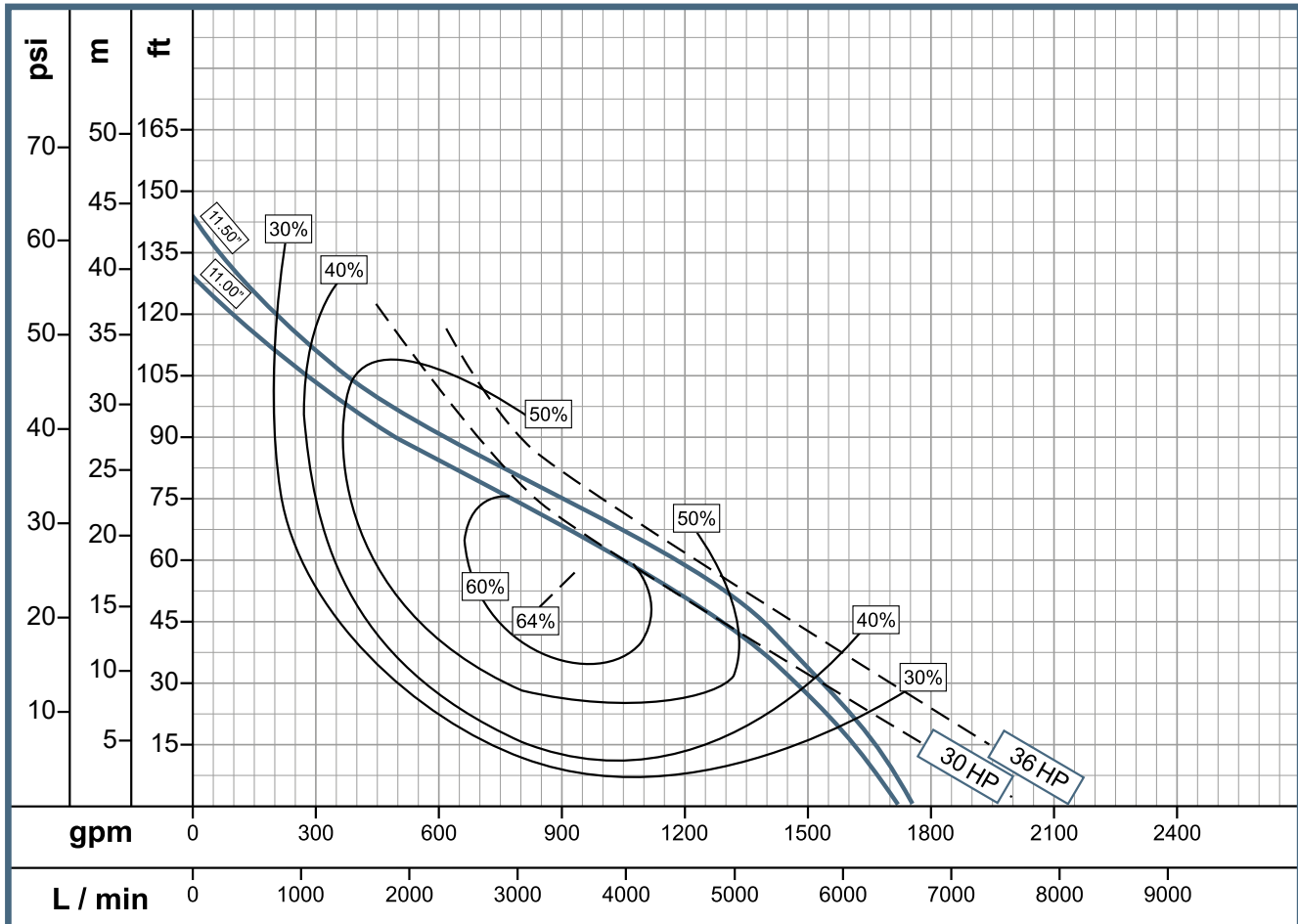


www.wdmpumps.com

| Pump Features | | | | |
|--------------------|----------------|-----------------------------|------------------|--|
| Pump type | Design | Impeller | Stages | |
| Vertical Discharge | Close Coupled | 1 Vane Semi Open (ISO G6.3) | 1 | |
| Mechanical Seal | Fluid Temp | Cord Entry | Ø Solid Handling | |
| 1 7/8" T21 | 104°F | 26.2 Ft | 4" | |
| Model | Reference | Ø Discharge | Ø Impeller | |
| 1 | NE 6 300-4-220 | 1C0074 | 6" F 11.000" | |
| 2 | NE 6 300-4-440 | 1C0105 | 6" F 11.000" | |
| 3 | NE 6 360-4-220 | 1C0106 | 6" F 11.500" | |
| 4 | NE 6 360-4-440 | 1C0107 | 6" F 11.500" | |

| Motor Features | | | | |
|----------------|--------|-----------------|----------------|-----------|
| Drive | | Speed (rpm) | Frequency (Hz) | |
| Electric | | 1.800 (nominal) | 60 | |
| Power (hp) | Phases | Voltage (V) | Motor Casing | Frame |
| 30 | 3 | 230 | ODP | NEMA 256J |
| 30 | 3 | 460 | ODP | NEMA 256J |
| 36 | 3 | 230 | ODP | NEMA 256J |
| 36 | 3 | 460 | ODP | NEMA 256J |

Performance Curve





Submersible Non clog Pumps

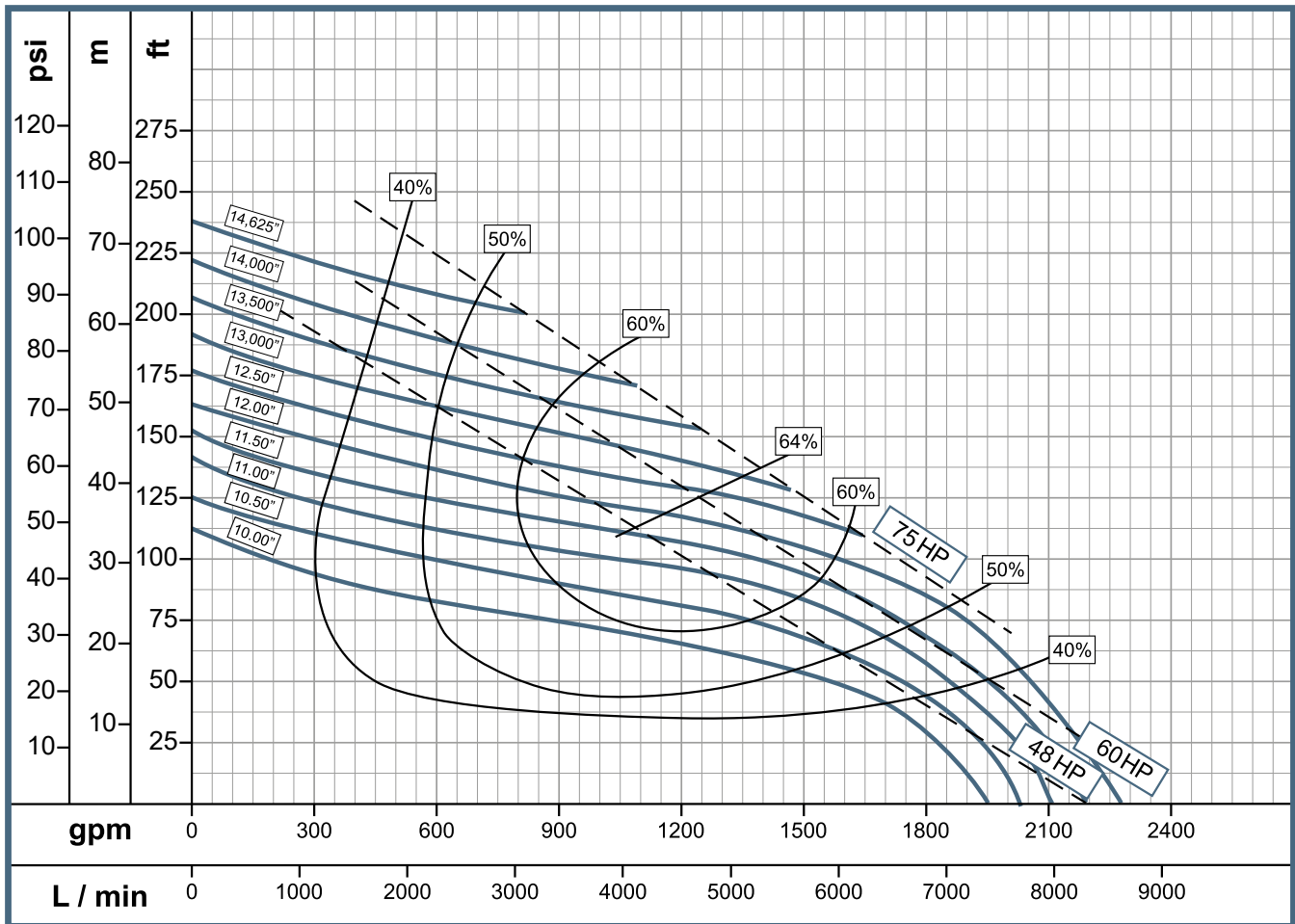
- NE 6 480-4-220
- NE 6 480-4-440
- NE 6 600-4-220
- NE 6 600-4-440
- NE 6 750-4-440

www.wdmpumps.com

| Pump Features | | | | |
|--------------------|----------------|-----------------------------|------------------|--|
| Pump type | Design | Impeller | Stages | |
| Vertical Discharge | Close Coupled | 2 Vane Semi Open (ISO G6.3) | 1 | |
| Mechanical Seal | Fluid Temp | Cord Entry | Ø Solid Handling | |
| 1 7/8" T21 | 104°F | 26.2 Ft | 4" | |
| Model | Reference | Ø Discharge | Ø Impeller | |
| 1 | NE 6 480-4-220 | 1C0108 | 6" F 10.000" | |
| 2 | NE 6 480-4-440 | 1C0110 | 6" F 10.000" | |
| 3 | NE 6 600-4-220 | 1C0111 | 6" F 11.000" | |
| 4 | NE 6 600-4-440 | 1C0109 | 6" F 11.000" | |
| 5 | NE 6 750-4-440 | 1C0113 | 6" F 12.000" | |

| Motor Features | | | | |
|----------------|--------|-----------------|----------------|-----------|
| Drive | | Speed (rpm) | Frequency (Hz) | |
| Electric | | 1.800 (nominal) | 60 | |
| Power (hp) | Phases | Voltage (V) | Motor Casing | Frame |
| 48 | 3 | 230 | ODP | NEMA 256J |
| 48 | 3 | 460 | ODP | NEMA 256J |
| 60 | 3 | 230 | ODP | NEMA 256J |
| 60 | 3 | 460 | ODP | NEMA 256J |
| 75 | 3 | 460 | ODP | NEMA 256J |

Performance Curve



Technical features are subject to change without notice.

Submersible Non clog Pumps

NE 6 90-6-220
NE 6 90-6-440
NE 6 120-6-220
NE 6 120-6-440

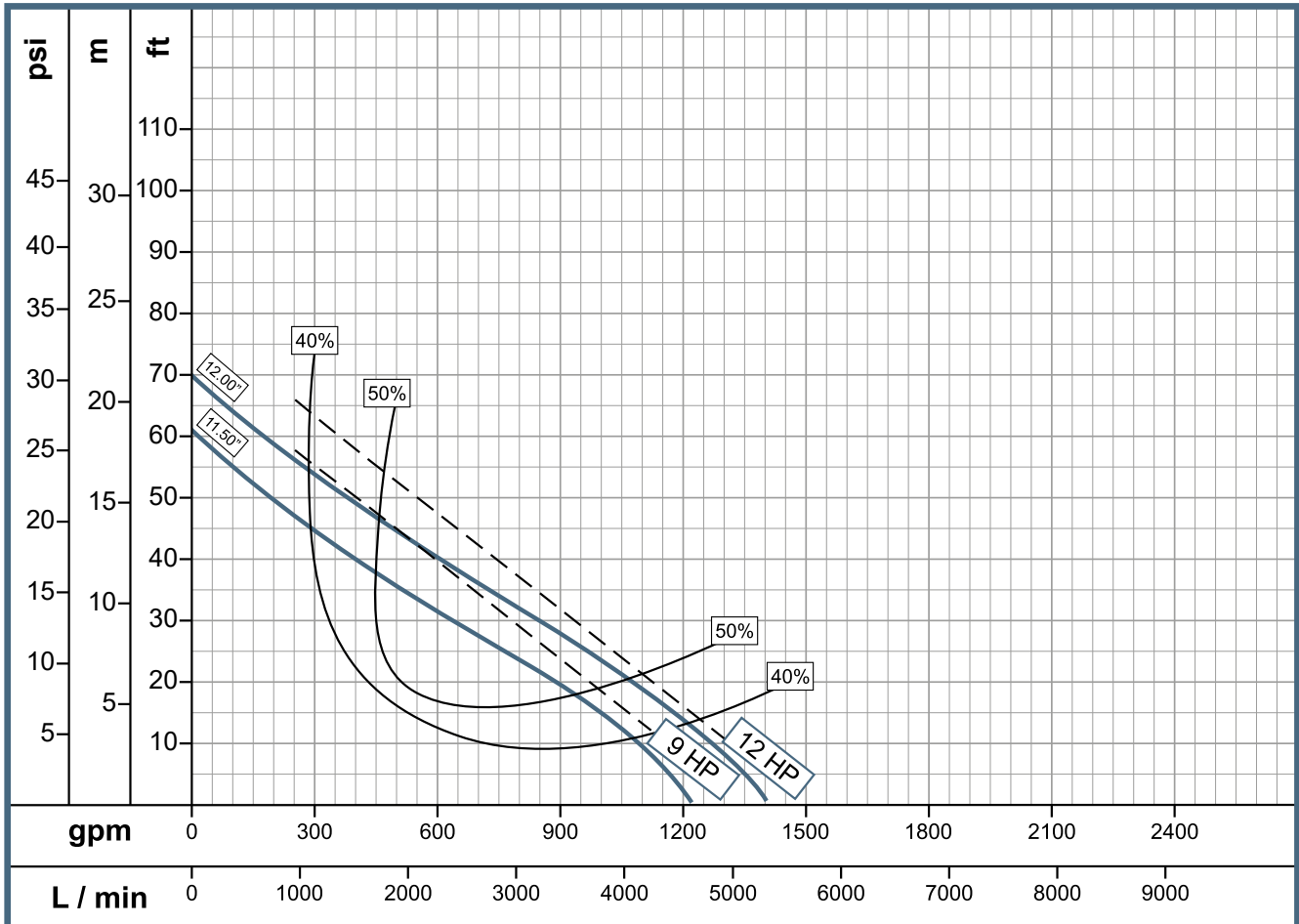


www.wdmpumps.com

| Pump Features | | | | |
|--------------------|----------------|----------------------------|------------------|--|
| Pump type | Design | Impeller | Stages | |
| Vertical Discharge | Close Coupled | 1 Vane Enclosed (ISO G6.3) | 1 | |
| Mechanical Seal | Fluid Temp | Cord Entry | Ø Solid Handling | |
| 1 7/8" T21 | 104°F | 26.2 Ft | 4" | |
| Model | Reference | Ø Discharge | Ø Impeller | |
| 1 | NE 6 90-6-220 | 1C0095 | 6" F 11.500" | |
| 2 | NE 6 90-6-440 | 1C0095 | 6" F 11.500" | |
| 3 | NE 6 120-6-220 | 1C0097 | 6" F 13.000" | |
| 4 | NE 6 120-6-440 | 1C0098 | 6" F 13.000" | |

| Motor Features | | | | |
|----------------|--------|-----------------|----------------|-----------|
| Drive | | Speed (rpm) | Frequency (Hz) | |
| Electric | | 1.200 (nominal) | 60 | |
| Power (hp) | Phases | Voltage (V) | Motor Casing | Frame |
| 9 | 3 | 230 | ODP | NEMA 215J |
| 9 | 3 | 460 | ODP | NEMA 215J |
| 12 | 3 | 230 | ODP | NEMA 215J |
| 12 | 3 | 460 | ODP | NEMA 215J |

Performance Curve





Submersible Non clog Pumps

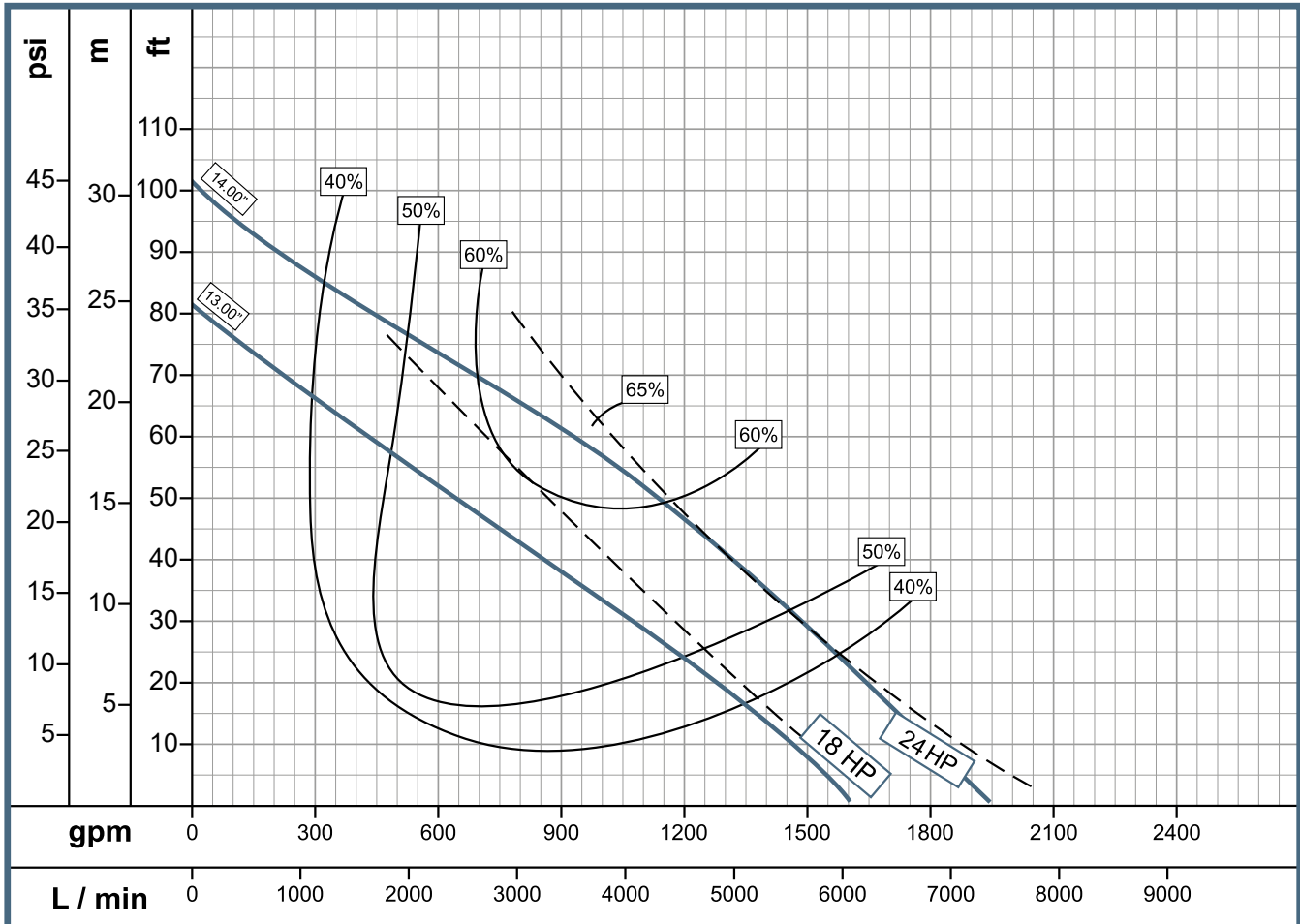
NE 6 180-6-220
 NE 6 180-6-440
 NE 6 240-6-220
 NE 6 240-6-440

www.wdmpumps.com

| Pump Features | | | | |
|--------------------|----------------|----------------------------|------------------|--|
| Pump type | Design | Impeller | Stages | |
| Vertical Discharge | Close Coupled | 1 Vane Enclosed (ISO G6.3) | 1 | |
| Mechanical Seal | Fluid Temp | Cord Entry | Ø Solid Handling | |
| 1 7/8" T21 | 104°F | 26.2 Ft | 4" | |
| Model | Reference | Ø Discharge | Ø Impeller | |
| 1 | NE 6 180-6-220 | 1C0072 | 6" F 13.000" | |
| 2 | NE 6 180-6-440 | 1C0099 | 6" F 13.000" | |
| 3 | NE 6 240-6-220 | 1C0071 | 6" F 14.000" | |
| 4 | NE 6 240-6-440 | 1C0100 | 6" F 14.000" | |

| Motor Features | | | | |
|----------------|--------|-----------------|----------------|-----------|
| Drive | | Speed (rpm) | Frequency (Hz) | |
| Electric | | 1,200 (nominal) | 60 | |
| Power (hp) | Phases | Voltage (V) | Motor Casing | Frame |
| 18 | 3 | 230 | ODP | NEMA 254J |
| 18 | 3 | 460 | ODP | NEMA 254J |
| 24 | 3 | 230 | ODP | NEMA 254J |
| 24 | 3 | 460 | ODP | NEMA 254J |

Performance Curve



Technical features are subject to change without notice.

Submersible Non clog Pumps

NE 6 300-6-220
NE 6 300-6-440

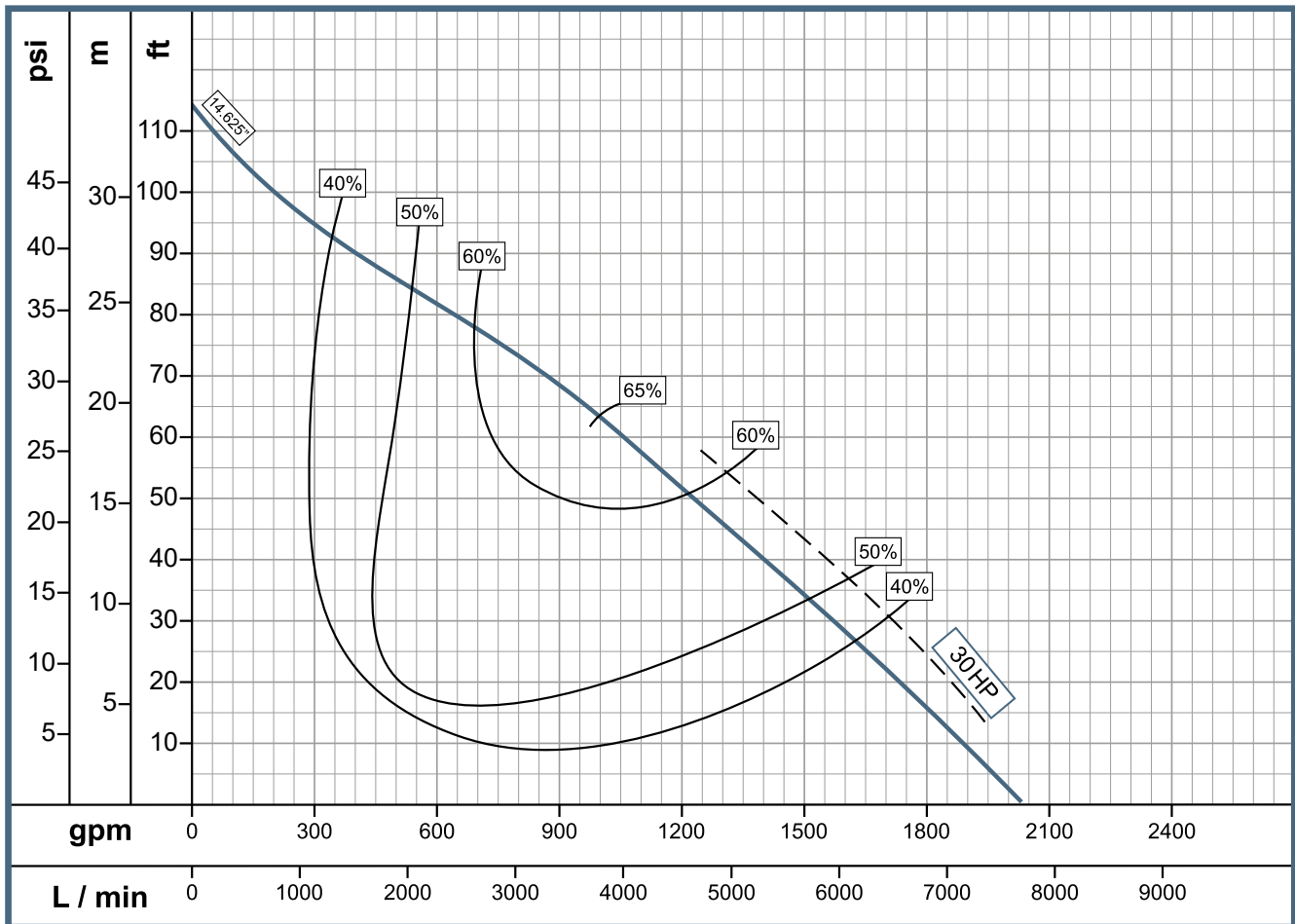


www.wdmpumps.com

| Pump Features | | | | |
|--------------------|----------------|-----------------------------|------------------|--|
| Pump type | Design | Impeller | Stages | |
| Vertical Discharge | Close Coupled | 2 Vane Semi Open (ISO G6.3) | 1 | |
| Mechanical Seal | Fluid Temp | Cord Entry | Ø Solid Handling | |
| 1 7/8" T21 (x2) | 104°F | 16.4 Ft | 4" | |
| Model | Reference | Ø Discharge | Ø Impeller | |
| 1 | NE 6 300-6-220 | 1C0070 | 6" F 14.625" | |
| 2 | NE 6 300-6-440 | 1C0073 | 6" F 14.625" | |

| Motor Features | | | | |
|----------------|--------|-----------------|----------------|-----------|
| Drive | | Speed (rpm) | Frequency (Hz) | |
| Electric | | 1,200 (nominal) | 60 | |
| Power (hp) | Phases | Voltage (V) | Motor Casing | Frame |
| 30 | 3 | 230 | ODP | NEMA 286J |
| 30 | 3 | 460 | ODP | NEMA 286J |

Performance Curve





Submersible Non clog Pumps

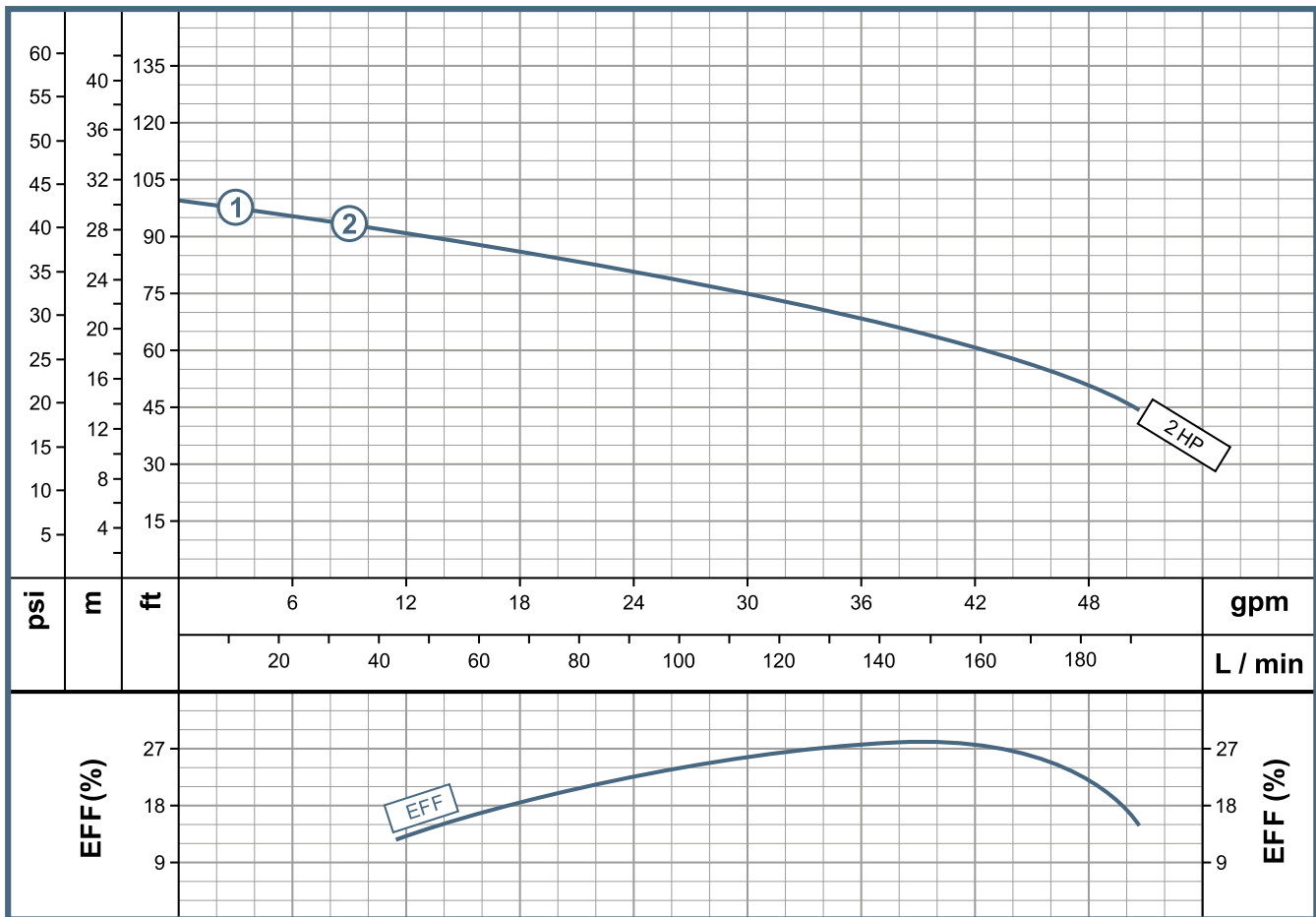
NGE 1.25 20-2-220
NGE 1.25 20-2-220

www.wdmpumps.com

| Pump Features | | | |
|---------------------|---------------|-------------|------------------|
| Pump type | Design | Impeller | Stages |
| Vertical Discharge | Close Coupled | Vortex | 1 |
| Mechanical Seal | Fluid Temp | Cord Entry | Ø Solid Handling |
| 7/8" T1 / 3/4" T1 | 120°F | 16.4 Ft | NA |
| Model | Reference | Ø Discharge | Ø Impeller |
| 1 NGE 1.25 20-2-220 | 1C0120 | 1 1/4" NPT | 5.130" |
| 2 NGE 1.25 20-2-220 | 1C0121 | 1 1/4" NPT | 5.130" |

| Motor Features | | | | |
|----------------|--------|-----------------|----------------|-------|
| Drive | | Speed (rpm) | Frequency (Hz) | |
| Electric | | 3,600 (nominal) | 60 | |
| Power (hp) | Phases | Voltage (V) | Motor Casing | Frame |
| 2 | 3 | 230 | ODP | 48Y |
| 2 | 3 | 460 | ODP | 48Y |

Performance Curve



Submersible Non clog Pumps

- NG 2 30-2-220
- NG 2 30-2-440
- NG 2 50-2-220
- NG 2 50-2-440
- NG 2 75-2-220
- NG 2 75-2-440

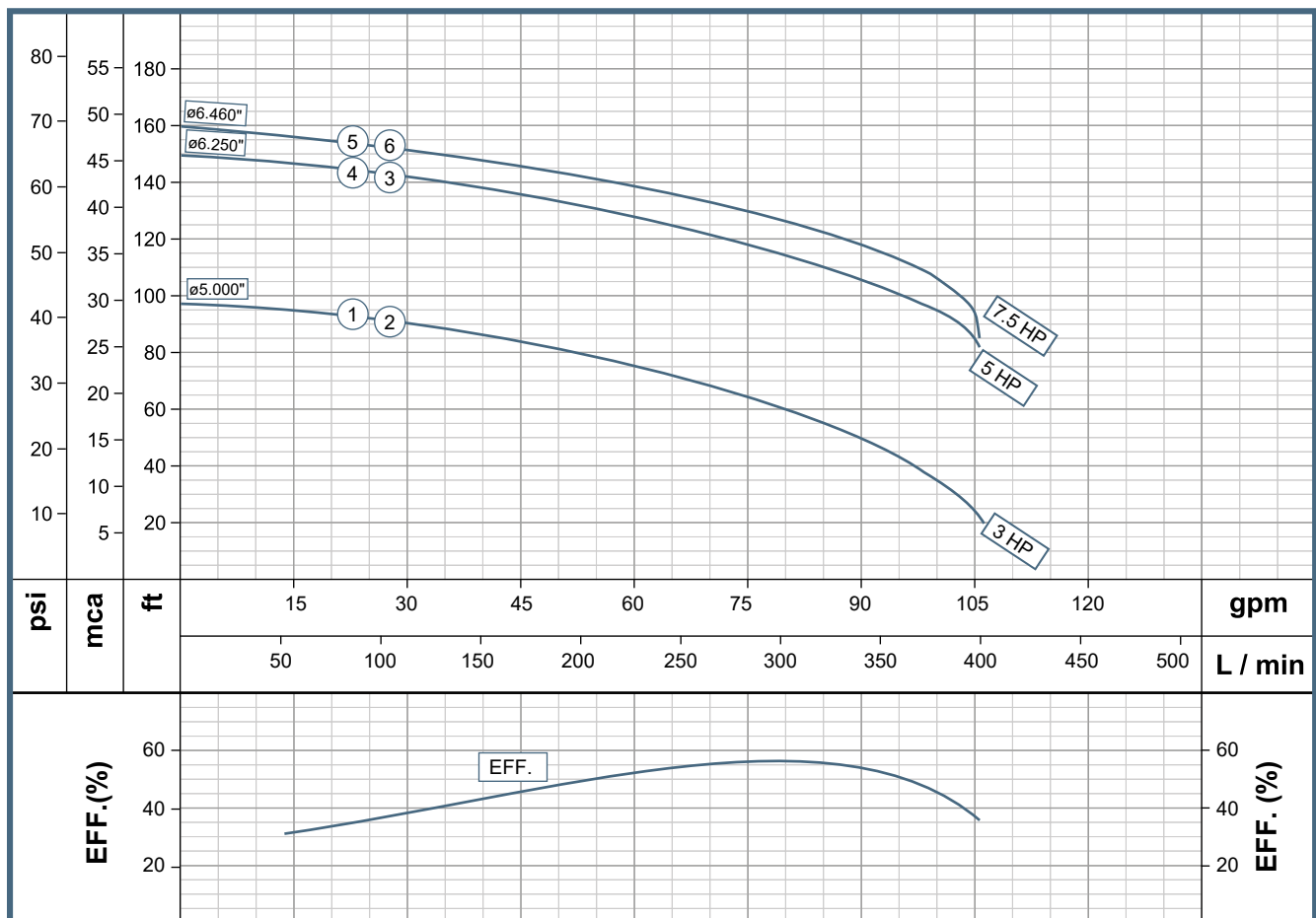


www.wdmpumps.com

| Pump Features | | | | |
|-----------------------|---------------|-------------|------------------|--------|
| Pump type | Design | Impeller | Stages | |
| Vertical Discharge | Close Coupled | Vortex | 1 | |
| Mechanical Seal | Fluid Temp | Cord Entry | Ø Solid Handling | |
| 1 1/4 T01 - 1 1/8 T01 | 120°F | 26 ft | NA | |
| Model | Reference | Ø Discharge | Ø Impeller | |
| 1 | NG 2 30-2-220 | 1C0122 | 2" | 5" |
| 2 | NG 2 30-2-440 | 1C0123 | 2" | 5" |
| 3 | NG 2 50-2-220 | 1C0124 | 2" | 6.250" |
| 4 | NG 2 50-2-440 | 1C0125 | 2" | 6.250" |
| 5 | NG 2 75-2-220 | 1C0126 | 2" | 6.460" |
| 6 | NG 2 75-2-440 | 1C0127 | 2" | 6.460" |

| Motor Features | | | | |
|----------------|--------|-----------------|----------------|-------|
| Drive | | Speed (rpm) | Frequency (Hz) | |
| Electric | | 3,600 (nominal) | 60 | |
| Power (hp) | Phases | Voltage (V) | Motor Casing | Frame |
| 3 | 3 | 230 | ODP | 56Z |
| 3 | 3 | 460 | ODP | 56Z |
| 5 | 3 | 230 | ODP | 56Z |
| 5 | 3 | 460 | ODP | 56Z |
| 7.5 | 3 | 230 | ODP | 56Z |
| 7.5 | 3 | 460 | ODP | 56Z |

Performance Curve





Submersible Non clog Pumps

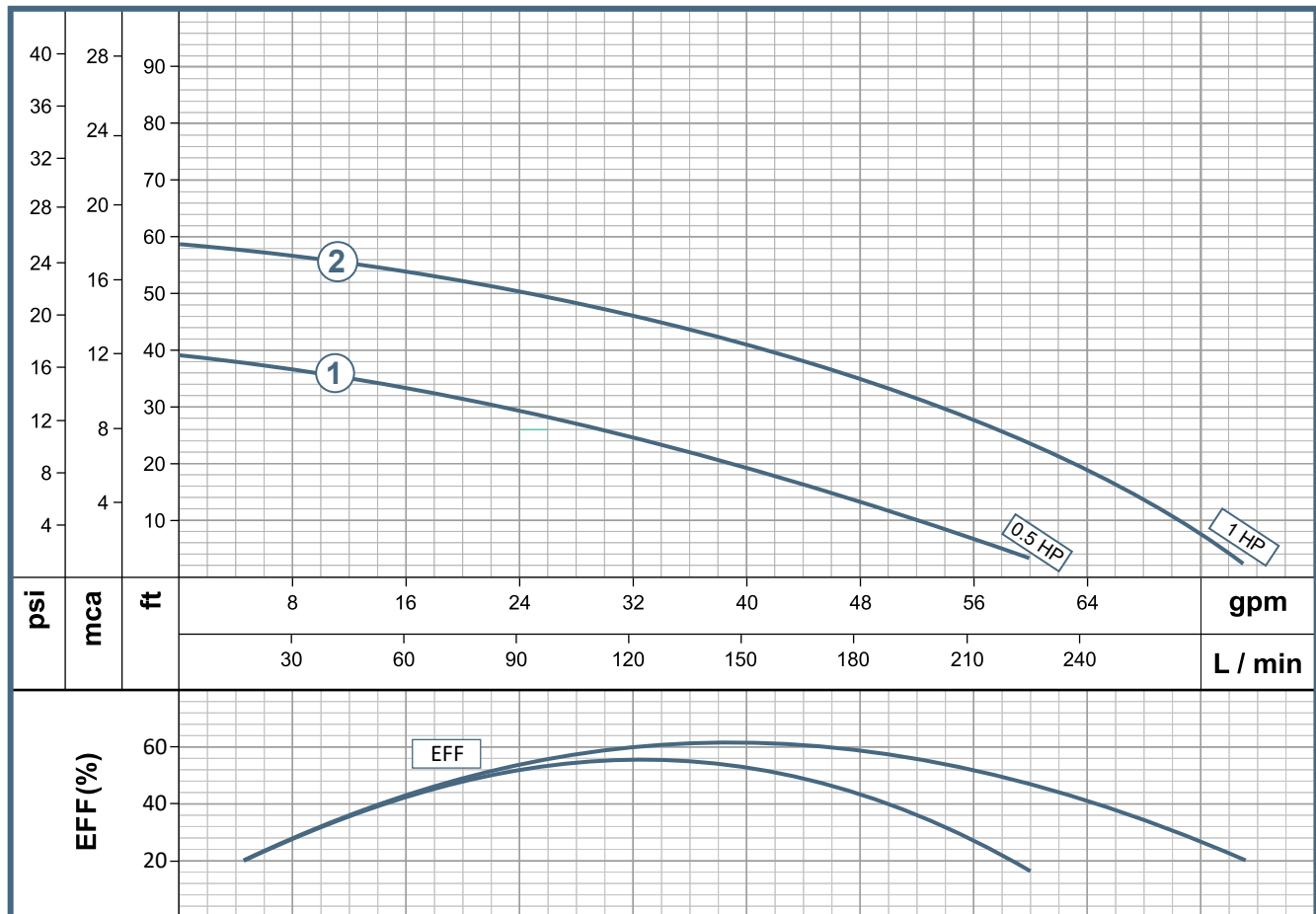
NTE 2 5 1 2 110
NTE 3 10 1 2 110

www.wdmpumps.com

| Pump Features | | | | | | |
|---------------|------------------|-------------|-------------------|---------------|----------------|--|
| Pump type | Design | Stages | Impeller | | | |
| Centrifugal | Close Coupled | 1 | Closed (ISO G6.3) | | | |
| Fluid Temp | | Cord Entry | Ø Solid Handling | | | |
| 104°F | | 26 ft | 1/4 " | | | |
| Model | Reference | Ø Discharge | Weight (lb) | Head Max (ft) | Flow Max (GPM) | |
| 1 | NTE 2 5 1 2 110 | 2" NPT | 32 | 39 | 47 | |
| 2 | NTE 3 10 1 2 110 | 3" NPT | 41 | 59 | 65 | |

| Motor Features | | | |
|----------------|-----------------|----------------|--------------------------|
| Drive | Speed (rpm) | Frequency (Hz) | Inmersion Depth Max (Ft) |
| Electric | 3.600 (Nominal) | 60 | 32 |
| Power (Hp) | Phases | Voltage (V) | |
| 0.5 | 1 | 115 | |
| 1 | 1 | 115 | |

Performance Curve



Submersible Non clog Pumps

NNE 1.25 5-1-2-110
NNE 1.25 10-1-2-110

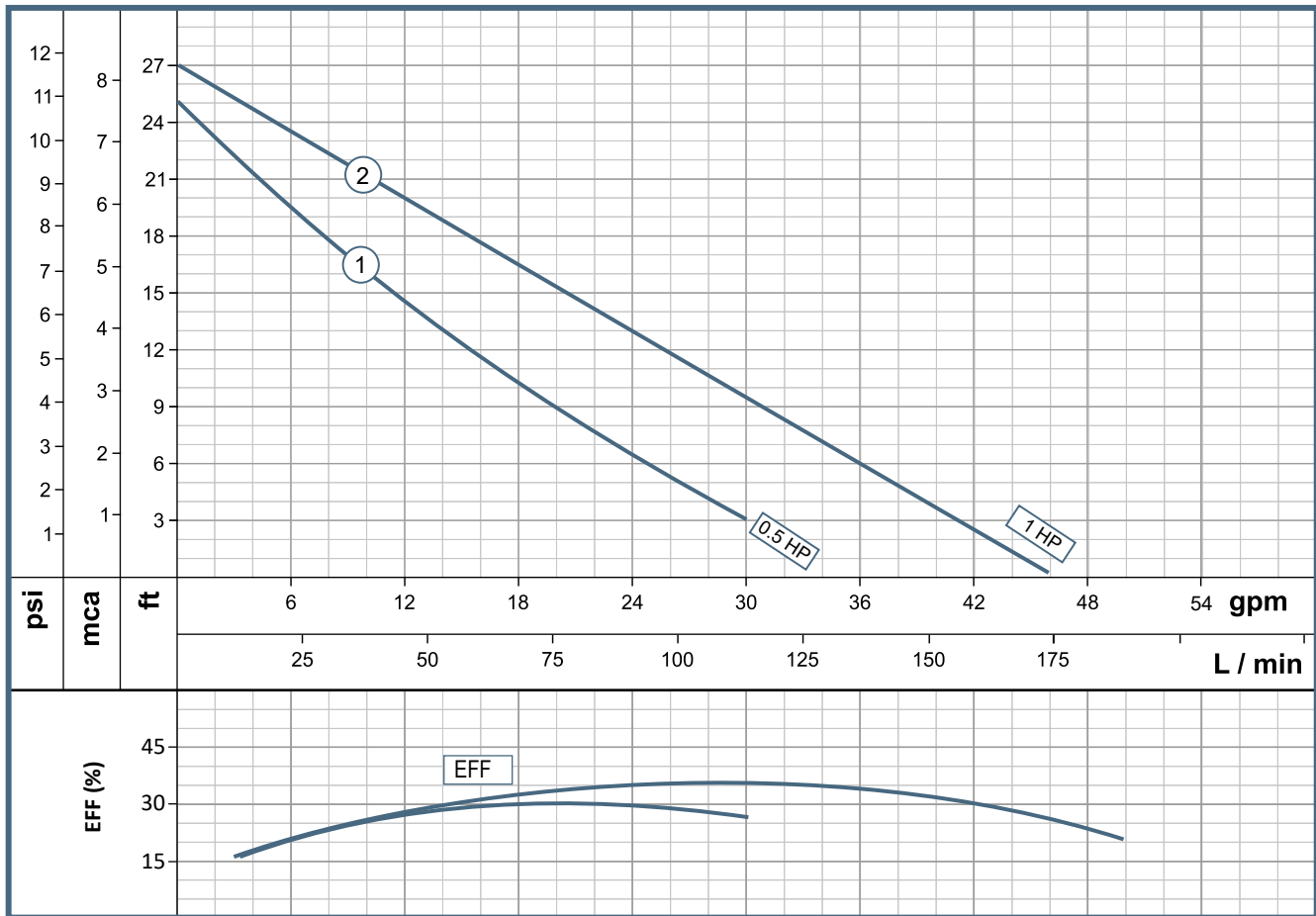


www.wdmpumps.com

| Pump Features | | | | | | |
|---------------|---------------------|-------------|------------------|---------------|----------------|----|
| Pump type | Design | Stages | Impeller | | | |
| Centrifugal | Closed Coupled | 1 | Open | | | |
| Fluid Temp | | Cord Entry | Ø Solid Handling | | | |
| 95°F | | 32 ft | 1/4 " | | | |
| Model | Reference | Ø Discharge | Weight (lb) | Head Max (ft) | Flow Max (GPM) | |
| 1 | NNE 1.25 5-1-2-110 | E0369 | 1 1/4" NPT | 10.6 | 26 | 30 |
| 2 | NNE 1.25 10-1-2-110 | E0740 | 1 1/4" NPT | 12.6 | 29 | 45 |

| Motor Features | | | |
|----------------|-----------------|----------------|--------------------------|
| Drive | Speed (rpm) | Frequency (Hz) | Inmersion Depth Max (Ft) |
| Electric | 3.500 (Nominal) | 60 | 32 |
| Power (Hp) | Phases | Voltage (V) | Motor Casing |
| 0.5 | 1 | 115 | ODP |
| 1 | 1 | 115 | ODP |

Performance Curve





Submersible Non clog Pumps

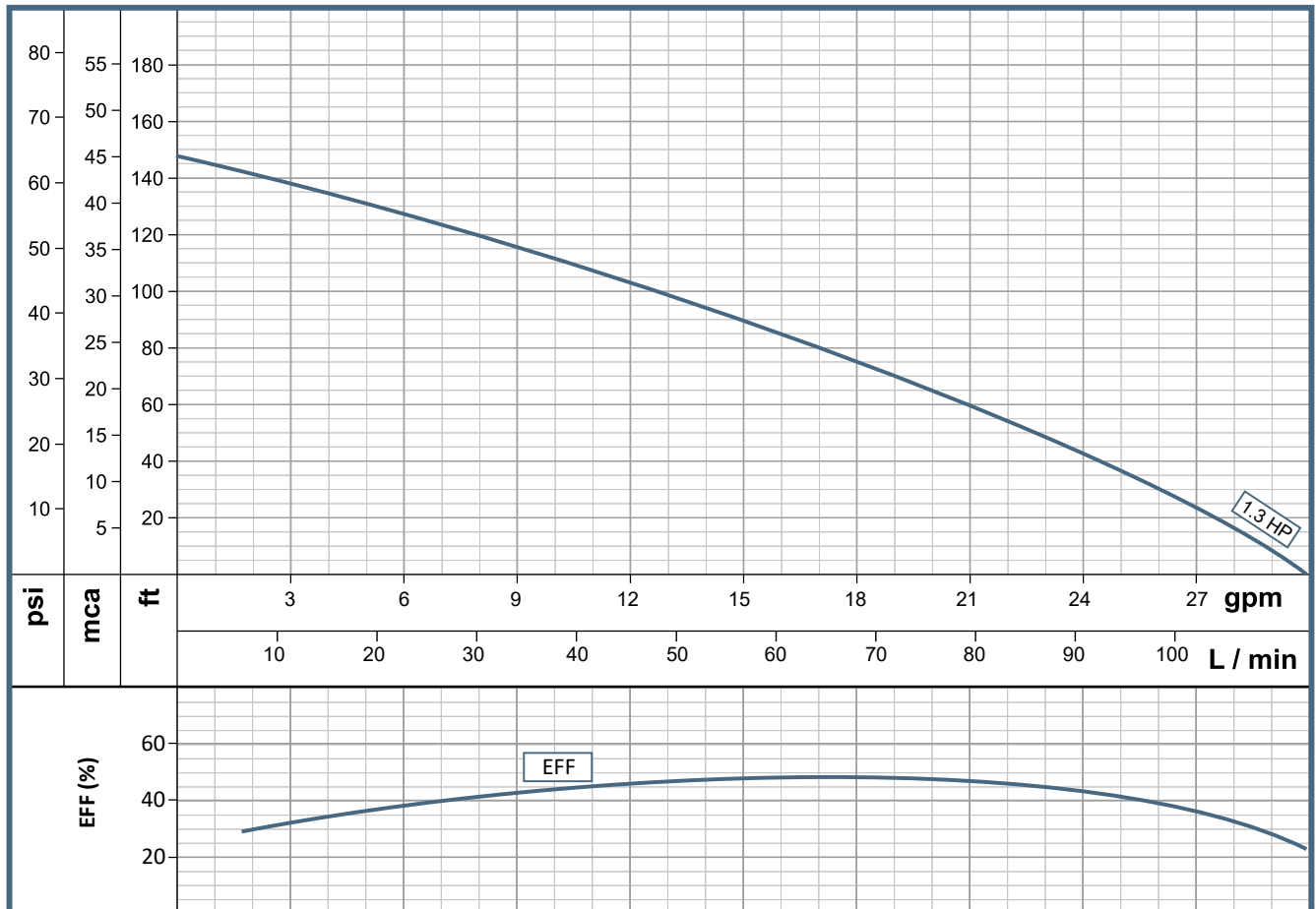
NSE 1 13-1-2-110

www.wdmpumps.com

| Pump Features | | | | | |
|------------------|----------------|-------------|-------------------|---------------|----------------|
| Pump type | Design | Stages | Impeller | | |
| Centrifugal | Closed Coupled | 4 | Closed (ISO G6.3) | | |
| Fluid Temp | | Cord Entry | Ø Solid Handling | | |
| 95°F | | 32 ft | 1/64 " | | |
| Model | Reference | Ø Discharge | Weight (lb) | Head Max (ft) | Flow Max (GPM) |
| NSE 1 13-1-2-110 | E0890 | 1" NPT | 19 | 137 | 25 |

| Motor Features | | | |
|----------------|-----------------|----------------|--------------------------|
| Drive | Speed (rpm) | Frequency (Hz) | Inmersion Depth Max (Ft) |
| Electric | 3.600 (Nominal) | 60 | 21 |
| Power (Hp) | Phases | Voltage (V) | Motor Casing |
| 1.3 | 1 | 115 | ODP |

Performance Curve



Submersible Non clog Pumps

NSE 1 5-1-2-110

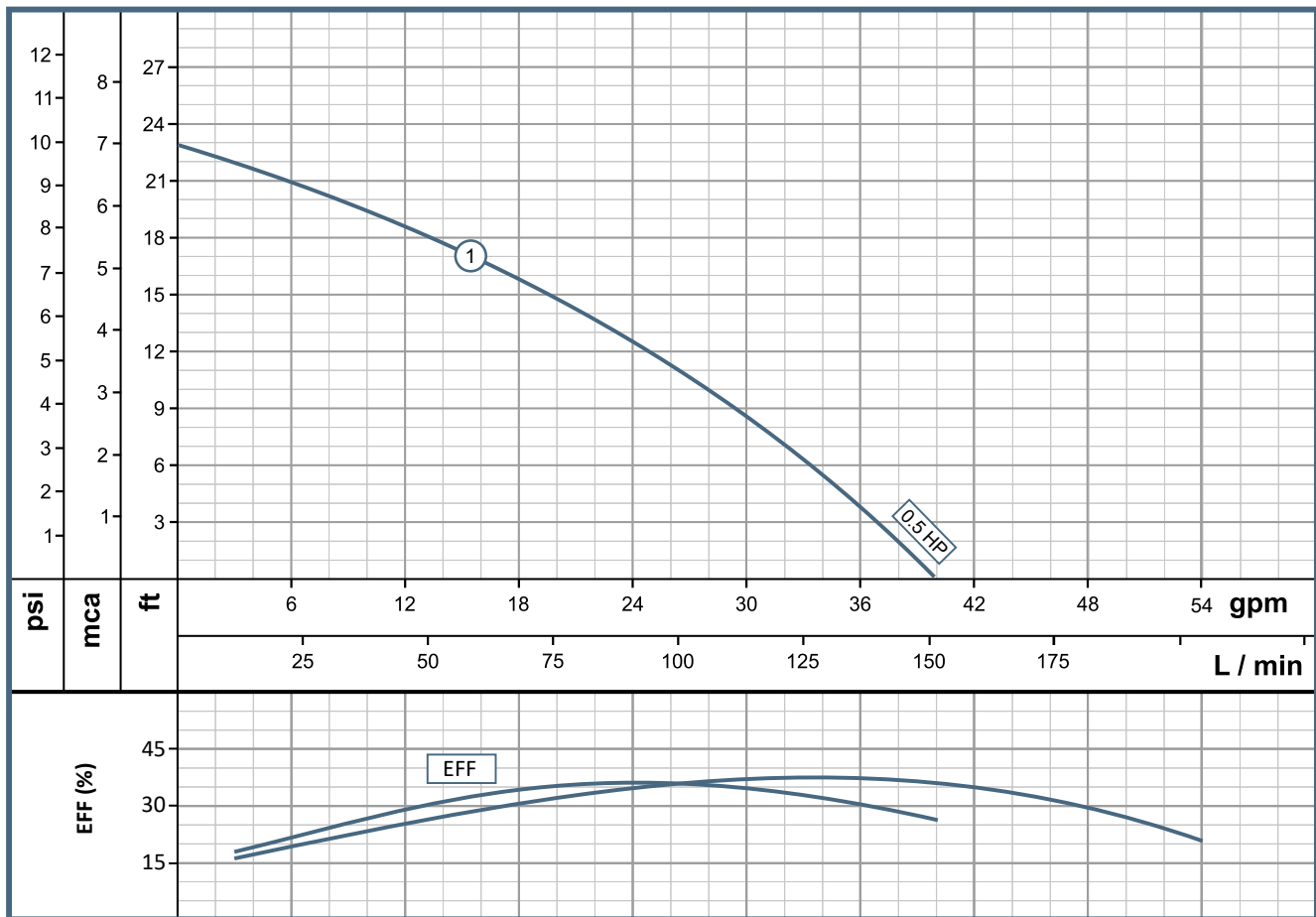


www.wdmpumps.com

| Pump Features | | | | | |
|-----------------|----------------|-------------|-------------------|---------------|----------------|
| Pump type | Design | Stages | Impeller | | |
| Centrifugal | Closed Coupled | 4 | Closed (ISO G6.3) | | |
| Fluid Temp | | Cord Entry | Ø Solid Handling | | |
| 95°F | | 32 ft | 1/64 " | | |
| Model | Reference | Ø Discharge | Weight (lb) | Head Max (ft) | Flow Max (GPM) |
| NSE 1 5-1-2-110 | E0741 | 1" NPT | 12 | 20 | 40 |

| Motor Features | | | |
|----------------|-----------------|----------------|--------------------------|
| Drive | Speed (rpm) | Frequency (Hz) | Inmersion Depth Max (Ft) |
| Electric | 3.600 (Nominal) | 60 | 21 |
| Power (Hp) | Phases | Voltage (V) | Motor Casing |
| 0.5 | 1 | 115 | ODP |

Performance Curve



www.wdmpumps.com



- usasales@wdmpumps.com
- support@wdmpumps.com