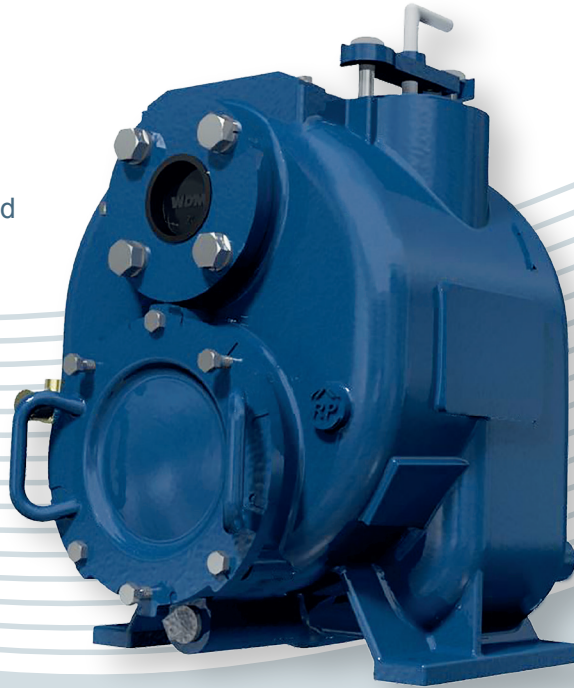


WDM[®]

PUMPS



Self Priming
Trash Pumps
Frame Mounted
Bare Shaft



- Flow up to 2418 GPM
- Discharge flanges up to 8"
- Motors up to 40 HP

- Gray cast iron impeller
- Temperatures up to 158° F (70° C)

- Cast iron case
- Mechanical seal



Technical Book

SWP Line

WDM PUMPS



www.wdmpumps.com

WDM Water Systems

WDM Pumps has expanded its brand as an international manufacturer of fluid handling pumps by consistently meeting and exceeding the needs of our customers.

Continuing a tradition of more than 60 years, WDM Pumps manufactures quality electric and engine driven pumps for diverse commercial and industrial applications. Our continued growth is based on a commitment to high standards for efficient product design, production, sales, and customer support.

Our customers rely on our world-class team of experienced WDM Pumps engineers, technicians, and product application specialists.

WDM offers pump products and related equipment for a wide variety of industries. WDM Pumps manufactured and distributed self priming, flexible coupled, close coupled, horizontal split case, vertical inline, UL/FM listed fire pumps, vertical multistage, ANSI, submersible sump and sewage and vertical turbine.

WDM Pumps plants are strategically located throughout the Americas with USA offices located in Tulsa Oklahoma.





North
Pacific
Ocean

North
Atlantic
Ocean

Other factories:

- Mexico
- Guatemala
- Panama
- Colombia
- Ecuador
- Peru
- Brasil
- Chile
- Argentina

INDEX



Pump Family		Content	Pag.
SWP Line	SWP	Selection Charts	6
		Sectional Drawing	7
		Dimensions	8
		Performance Curves	9-11



SWP Line Trash Pumps - Frame Mounted

Features:

- Frame mounted centrifugal pumps
- Gray Cast Iron semi opened impellers (duplex) material on request.
- Suction and discharge up to 8"
- Pressure: up to 32 mca*
- Flow rate: up to 2418 gpm**
- Mechanical seal

*mca = Meters water column

** gpm = Gallons per minute

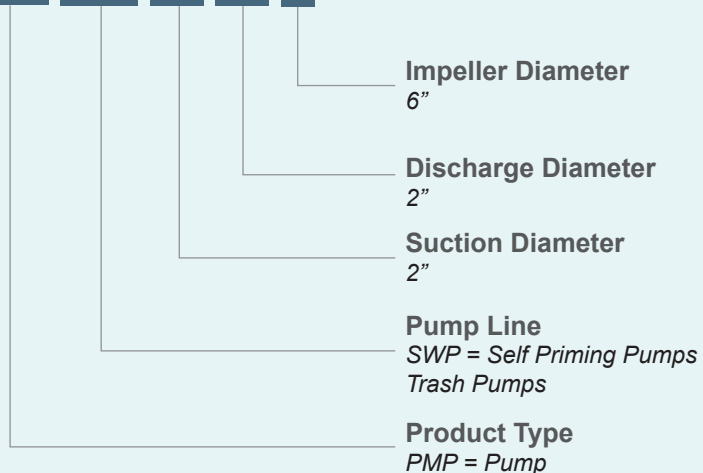


Benefits:

- Self Priming Pump
- Easy maintenance without the need of disconnecting piping.
- Easy access to impeller and seal
- Availability of mounting above the liquid being pumped
- Designed to allow up to 3 inch diameter solids
- Bearing's dual protection. The double bearing lip seal prevents mixing the bearing chamber oil with the mechanical seal chamber oil.
- Between the two lip seals is an atmospheric drainer that allows the oil to drain outside of the pump in case of leak.

Nomenclature:

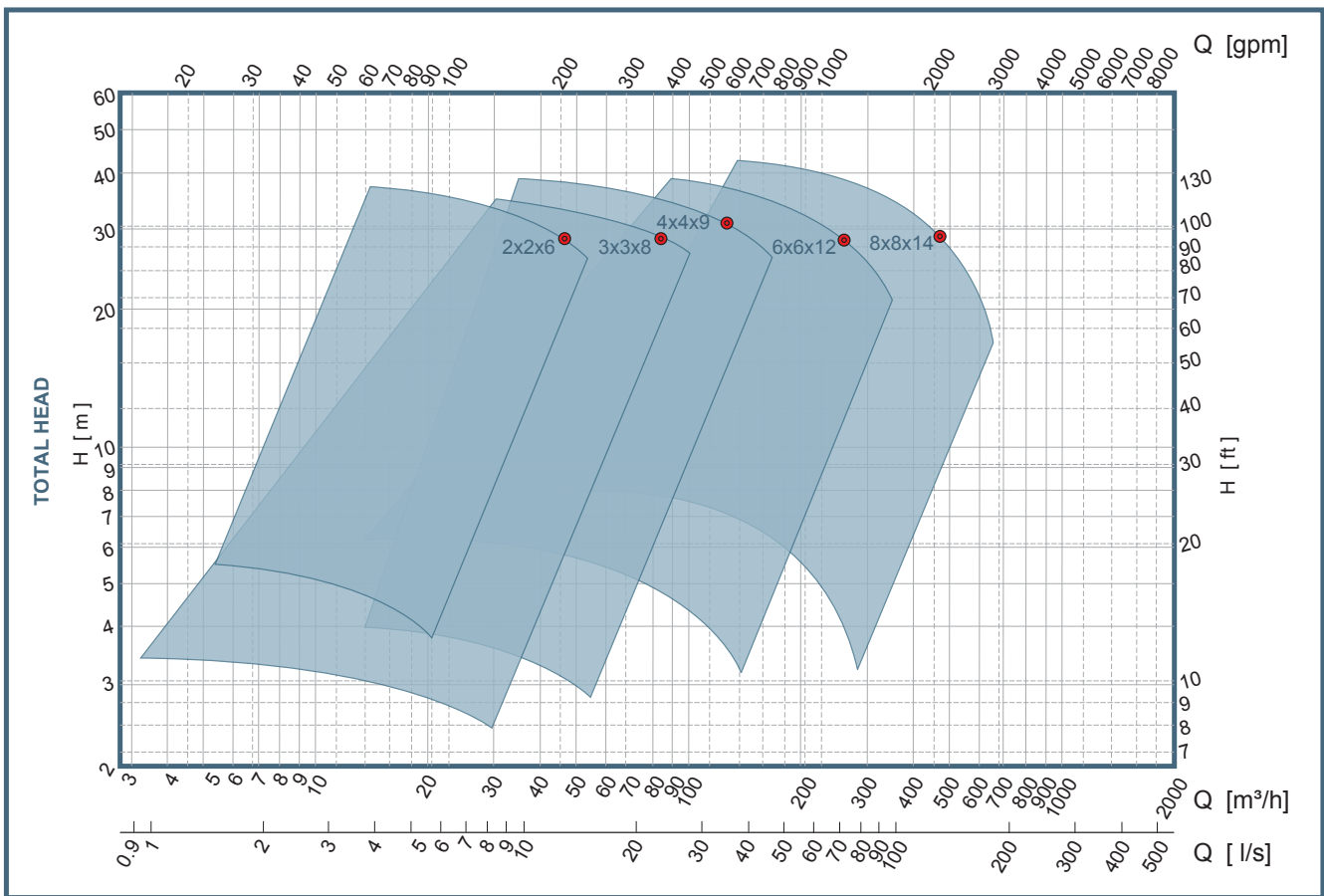
PMP SWP 2x 2x 6

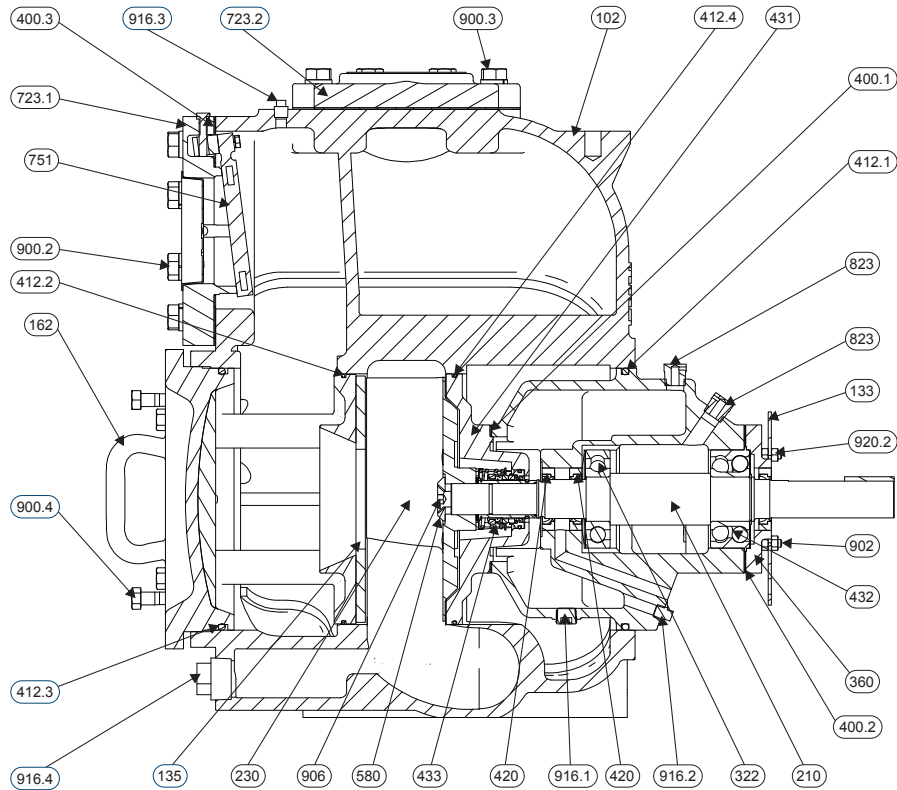


Selection Chart SWP Line



www.wdmpumps.com





ITEM	DESCRIPTION	MATERIAL
102	CASE	GREY IRON ASTM A-48
133	REAR PLATE	CARBON STEEL
135	WEAR PLATE	GREY IRON ASTM A-48
162	SUCTION COVER	GREY IRON ASTM A-48
210	SHAFT	CARBON STEEL
230	IMPELLER	GREY IRON ASTM A-48
322	RADIAL BEARING (INTERNAL)	CARBON STEEL
360	BEARING CAP	GREY IRON ASTM A-48
400.1	SEAL PLATE GASKET	NON ASBESTOS
400.2	BEARING CAP GASKET	NON ASBESTOS
400.3	SUCTION FLANGE GASKET	NON ASBESTOS
412.1	O-RING ROTOR ASSEMBLY	BUNA NITRILE
412.2	O-RING EXTERNAL INSPECTION COVER	BUNA NITRILE
412.3	O-RING INTERNAL INSPECTION COVER	BUNA NITRILE
412.4	O-RING SEAL PLATE	BUNA NITRILE
420	LIP SEAL	BUNA NITRILE
431	SEAL PLATE	GREY IRON ASTM A-48

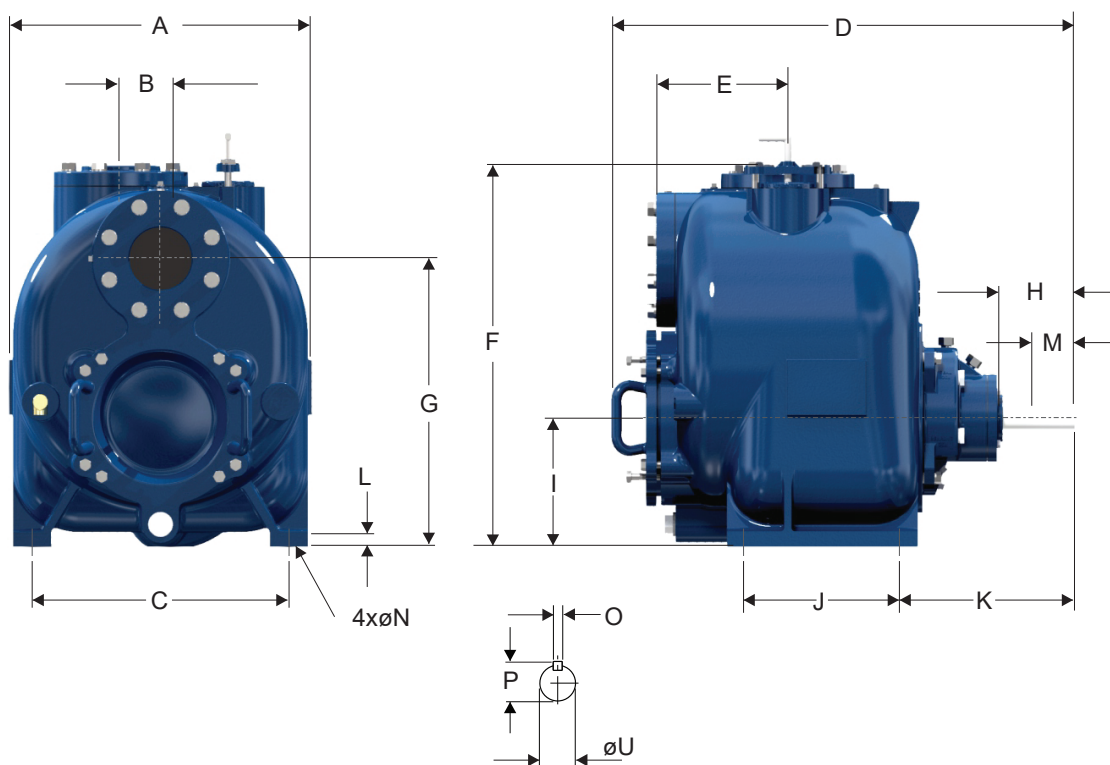
ITEM	DESCRIPTION	MATERIAL
432	THRUST BEARING (EXTERNAL)	CARBON STEEL
433	MECHANICAL SEAL	SI/SI/VITON
580	IMPELLER WASHER	STAINLESS STEEL SS304
723.1	SUCTION FLANGE	GREY IRON ASTM A-48
723.2	DISCHARGE FLANGE	GREY IRON ASTM A-48
751	CHECK VALVE	NEOPRENE
823	PRESSURE RELIEF PLUG	STAINLESS STEEL SS304
900.1	BOLT	CARBON STEEL
900.2	BOLT	CARBON STEEL
900.3	BOLT	CARBON STEEL
902	STUD	CARBON STEEL
906	BOLT	CARBON STEEL
916.1	PLUG	STAINLESS STEEL SS304
916.2	PLUG	GALVANIZED STEEL
916.3	PLUG	GALVANIZED STEEL
916.4	PLUG	GALVANIZED STEEL
920.2	NUT	CARBON STEEL

SWP Line Dimensions

Frame Mounted



www.wdmpumps.com

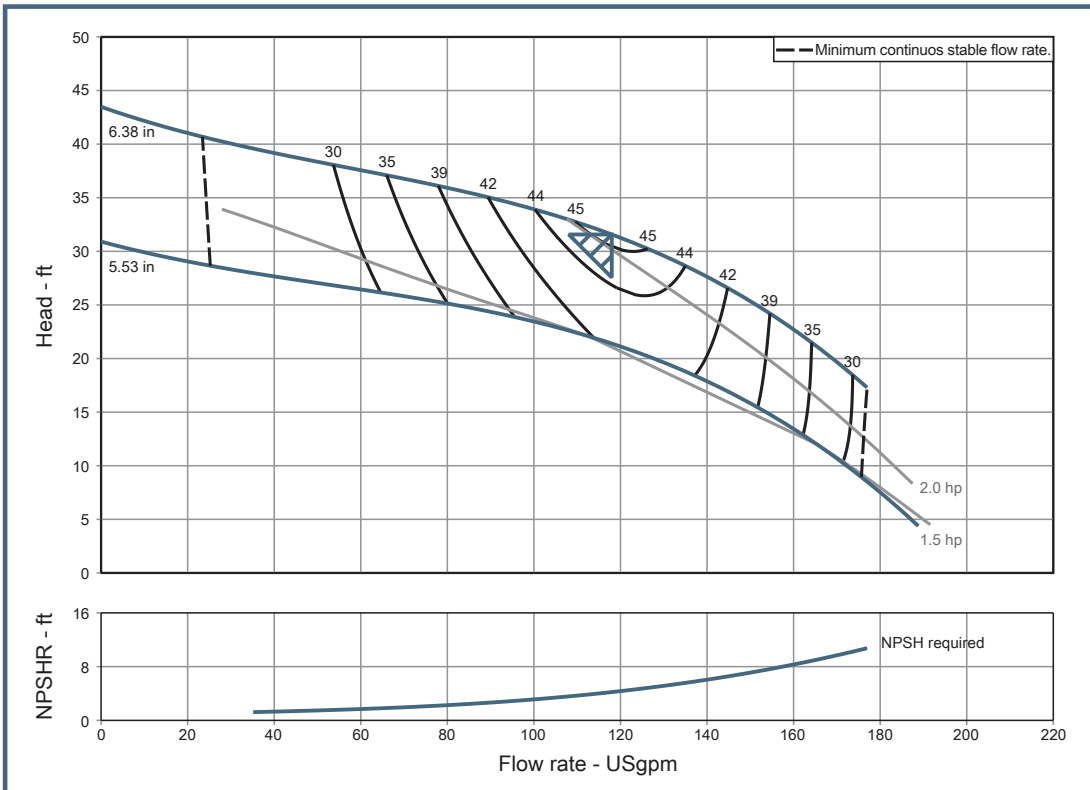


Dimensions in (mm)																		
Model	A		B		C		D		E		F		G		H		I	
	(in)	(mm)	(in)	(mm)	(in)	(mm)	(in)	(mm)	(in)	(mm)	(in)	(mm)	(in)	(mm)	(in)	(mm)	(in)	(mm)
2x2	13,75	349	1,75	44	11,63	295	20,41	518	6,31	160	17,89	454	13,50	343	3,48	88	6,00	152
3x3	18,13	460	2,70	69	15,25	387	27,69	703	7,31	186	22,25	565	17,00	432	4,08	104	7,50	191
4x4	20,50	521	2,68	68	18,00	457	31,55	801	8,96	228	25,80	655	19,50	495	4,92	125	8,75	222
6x6	24,00	610	2,75	70	20,75	527	30,00	762	10,59	269	29,91	760	22,53	572	5,31	135	10,13	257
8x8	27,75	705	0,00	0	25,00	635	40,44	1027	16,31	414	37,79	960	28,52	724	7,06	179	13,00	330

Dimensions in (mm)																	
Model	J		K		L		M		ØN		O		P		U		
	(in)	(mm)	(in)	(mm)	(in)	(mm)	(in)	(mm)	(in)	(mm)	(in)	(mm)	(in)	(mm)	(in)	(mm)	
2x2	7,190	183	8,91	226	0,63	16	2,00	51	0,63	16	0,250	6	1,23	31	1,13	29	
3x3	9,000	229	11,27	286	0,75	19	1,50	38	0,69	17	0,375	10	1,66	42	1,50	38	
4x4	11,00	279	11,60	295	1,06	27	2,00	51	0,75	19	0,375	10	1,65	42	1,50	38	
6x6	11,020	280	11,65	296	1,06	27	3,00	76	0,75	19	0,375	10	1,65	42	1,50	38	
8x8	12,000	305	16,16	410	1,50	38	4,00	102	1,00	25	0,375	10	1,92	49	1,75	44	

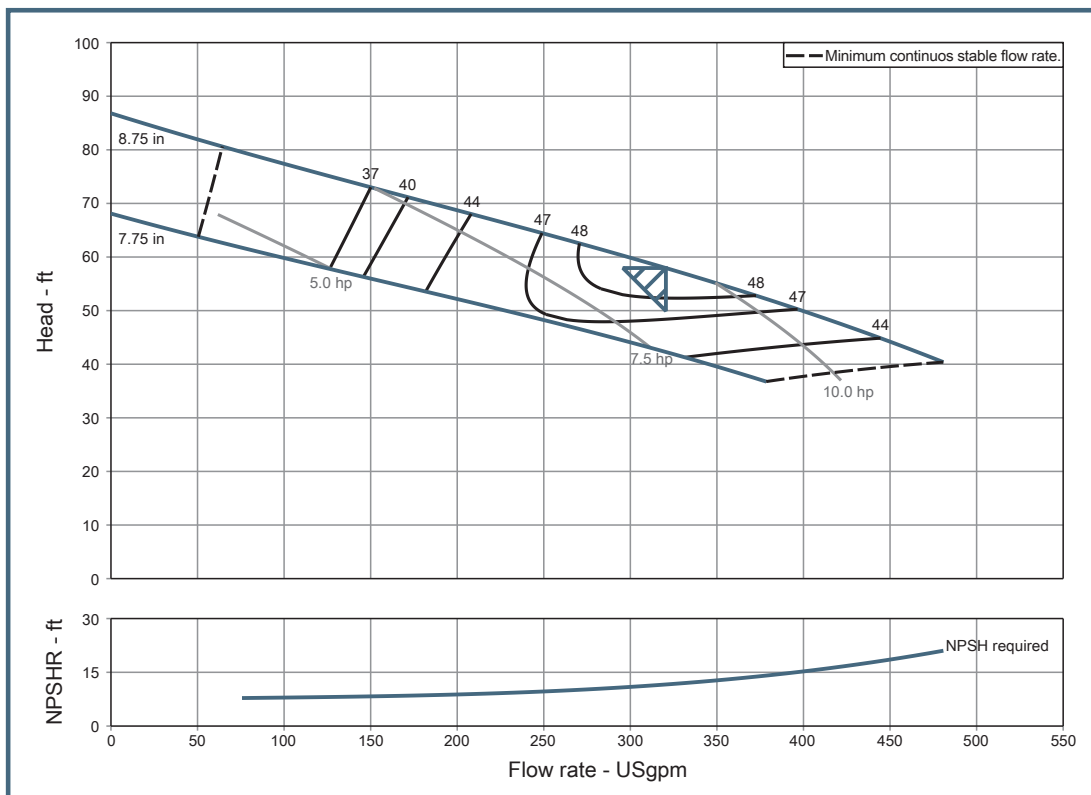
Pump Features					
Pump Type	Design		Impeller		
Centrifugal	Frame Mounted		Semi opened and balanced ISO G6.3		
Stages	Mechanical Seal		Fluid Temperature	Maximum diameter, suspended solids	
1	Si/ Si/ Viton		158° F (70° C)	Ø 42 mm	
Model	Reference	Ø Suction	Ø Discharge	Impeller	Speed
PMP SWP 2x2x6	24011622	2"	2"	6.38"	1740 rpm

Performance Curve



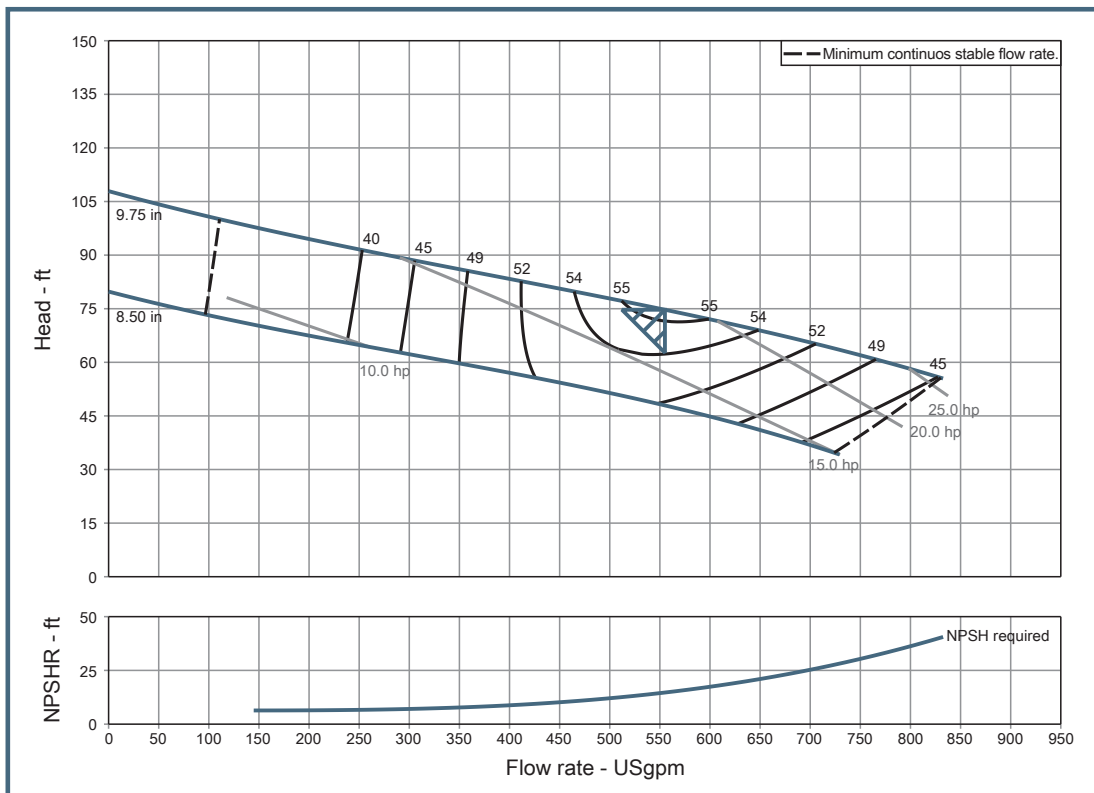
Pump Features					
Pump Type	Design		Impeller		
Centrifugal	Frame Mounted		Semi opened and balanced ISO G6.3		
Stages	Mechanical Seal		Fluid Temperature	Maximum diameter, suspended solids	
1	Si/ Si/ Viton		158° F (70° C)	Ø 55 mm	
Model	Reference	Ø Suction	Ø Discharge	Impeller	Speed
PMP SWP 3x3x8	24015551	3"	3"	8.75"	1750 rpm

Performance Curve



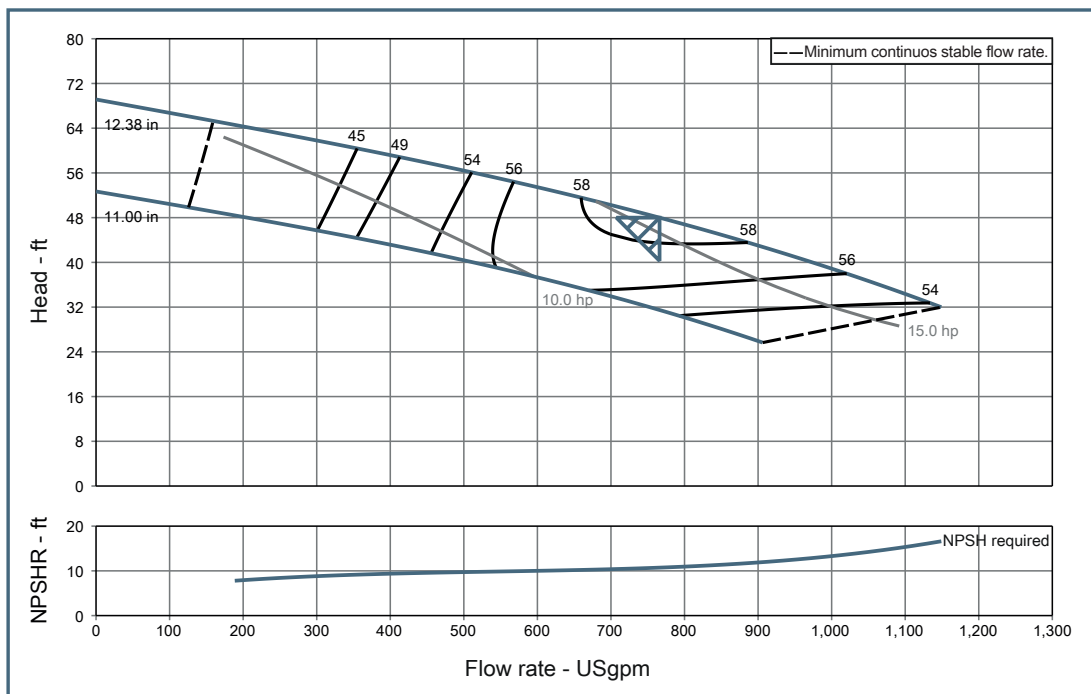
Pump Features					
Pump Type	Design		Impeller		
Centrifugal	Frame Mounted		Semi opened and balanced ISO G6.3		
Stages	Mechanical Seal		Fluid Temperature	Maximum diameter, suspended solids	
1	Si/ Si/ Viton		158° F (70° C)	Ø 66 mm	
Model	Reference	Ø Suction	Ø Discharge	Impeller	Speed
PMP SWP 4x4x9	24011619	4"	4"	9.75"	1750 rpm

Performance Curve



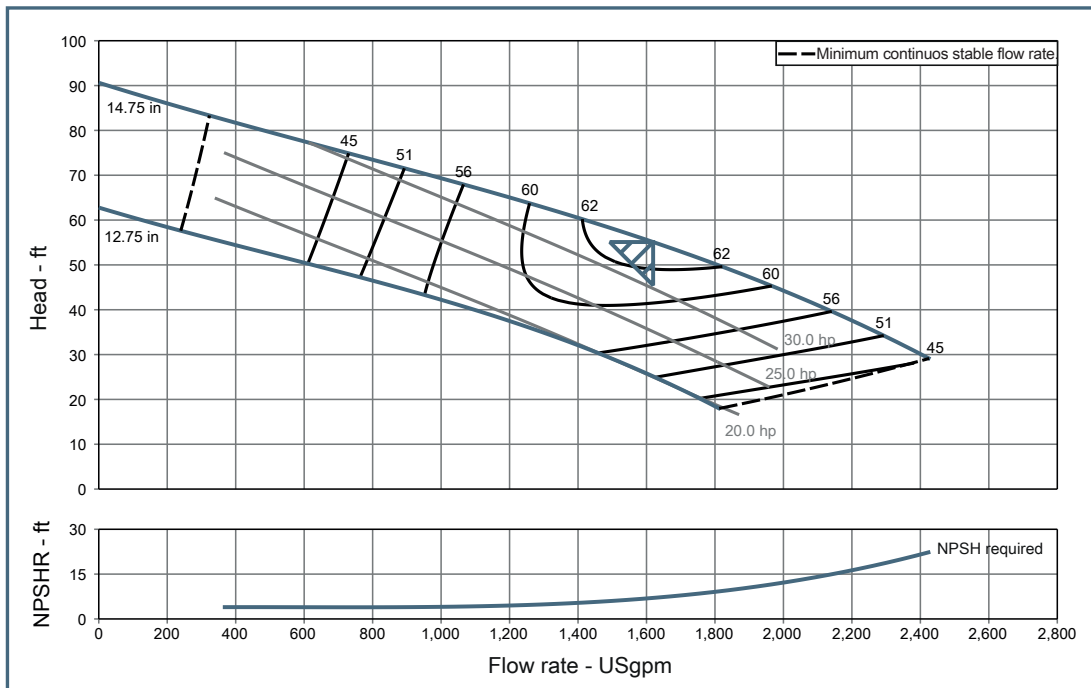
Pump Features					
Pump Type	Design		Impeller		
Centrifugal	Frame Mounted		Semi opened and balanced ISO G6.3		
Stages	Mechanical Seal		Fluid Temperature	Maximum diameter, suspended solids	
1	Si/ Si/ Viton		158° F (70° C)	Ø 66 mm	
Model	Reference	Ø Suction	Ø Discharge	Impeller	Speed
PMP SWP 6x6x12	24015553	6"	6"	12.38"	1160 rpm

Performance Curve



Pump Features					
Pump Type	Design		Impeller		
Centrifugal	Frame Mounted		Semi opened and balanced ISO G6.3		
Stages	Mechanical Seal		Fluid Temperature	Maximum diameter, suspended solids	
1	Si/ Si/ Viton		158° F (70° C)	Ø 64 mm	
Model	Reference	Ø Suction	Ø Discharge	Impeller	Speed
PMP SWP 8x8x14	24011621	8"	8"	14.75"	1160 rpm

Performance Curve



www.wdmpumps.com



■ www.wdmpumps.com

VERSIÓN	1
FECHA	27/06/24