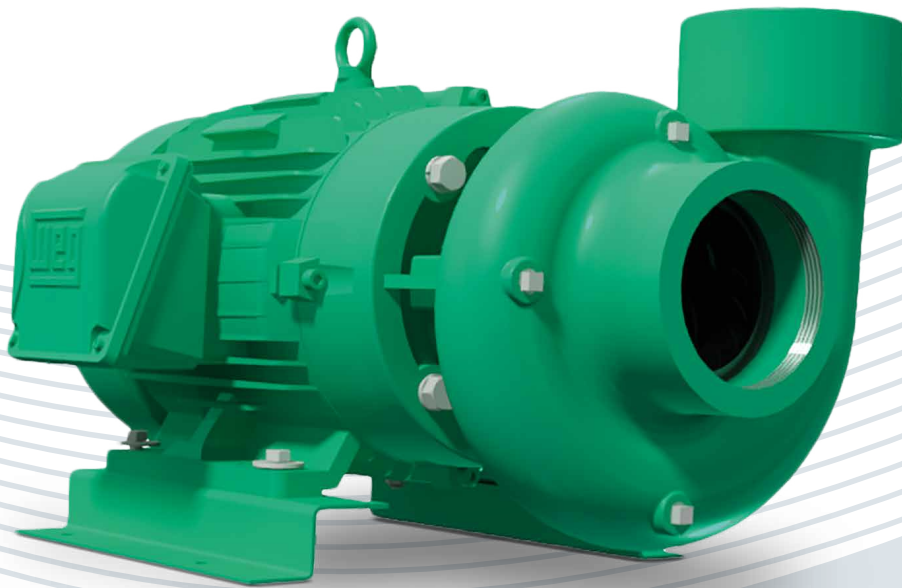


# WDM<sup>®</sup>

## PUMPS



**ME** Close  
Coupled

- Flow rates up to 600 GPM
- Size up to 4" discharge
- Motors up to 15 HP
- Stainless steel impeller or gray cast iron.
- Temperature up to 224.6°F (107° C)
- Cast iron case - NPT
- Premium efficiency motors



# Technical Book

Medium Pressure Line

WDM PUMPS



[www.wdmpumps.com](http://www.wdmpumps.com)

## WDM Water Systems

WDM Pumps has expanded its brand as an international manufacturer of fluid handling pumps by consistently meeting and exceeding the needs of our customers.

Continuing a tradition of more than 60 years, WDM Pumps manufactures quality electric and engine driven pumps for diverse commercial and industrial applications. Our continued growth is based on a commitment to high standards for efficient product design, production, sales, and customer support.

Our customers rely on our world-class team of experienced WDM Pumps engineers, technicians, and product application specialists.

WDM offers pump products and related equipment for a wide variety of industries. WDM Pumps manufactured and distributed self priming, flexible coupled, close coupled, horizontal split case, vertical inline, UL/FM listed fire pumps, vertical multistage, ANSI, submersible sump and sewage and vertical turbine.

WDM Pumps plants are strategically located throughout the Americas with USA offices located in Tulsa Oklahoma.





North Pacific Ocean

North Atlantic Ocean

USA

Tulsa

**Other factories:**

- Mexico
- Guatemala
- Panama
- Colombia
- Ecuador
- Peru
- Brasil
- Chile
- Argentina

# INDEX



| Pump Family          |    | Content            | Pag.  |
|----------------------|----|--------------------|-------|
| Medium Pressure Line | ME | Selection Charts   | 6-7   |
|                      |    | Sectionals         | 8     |
|                      |    | Dimensions         | 9-10  |
|                      |    | Performance Curves | 11-17 |



## Medium Pressure Line Close Coupled Pumps

### Features:

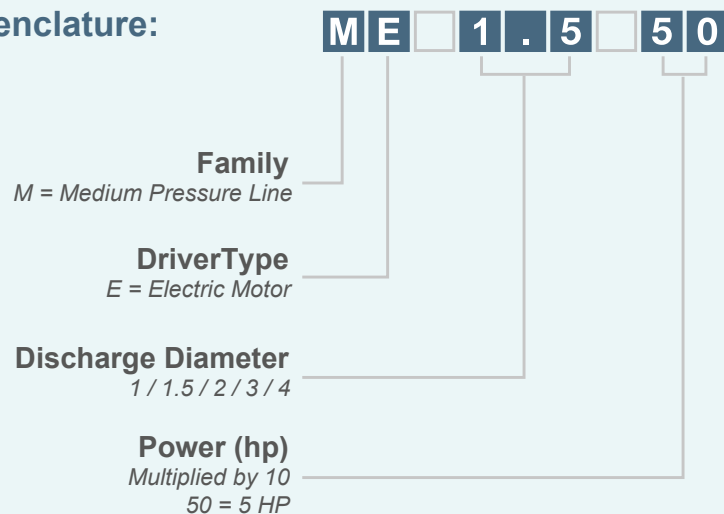
- Material: Cast Iron
- Suction: Up to 4"
- Discharge: Up to 4"
- Dynamically balanced closed impeller in stainless steel or gray cast iron.
- Mechanical Seal: 1 1/4"
- Motor: Three-phase up to 15 HP



### Benefits:

- High Efficiency
- Easy setup and installation
- Easy maintenance
- Design under American standard

### Nomenclature:



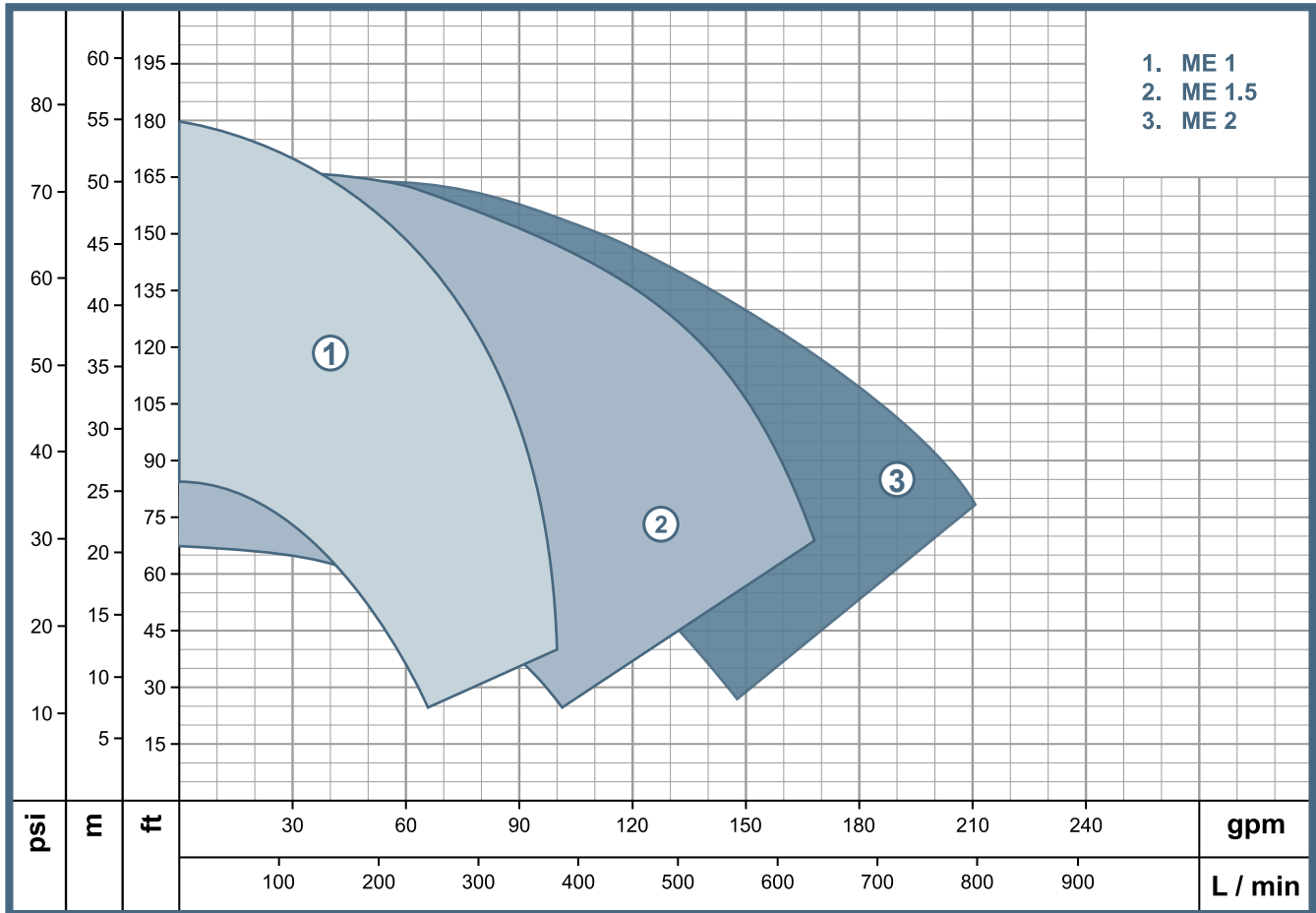
# Selection Charts ME 1 - 1.5 - 2

Medium Pressure Line  
Close Coupled  
Pumps

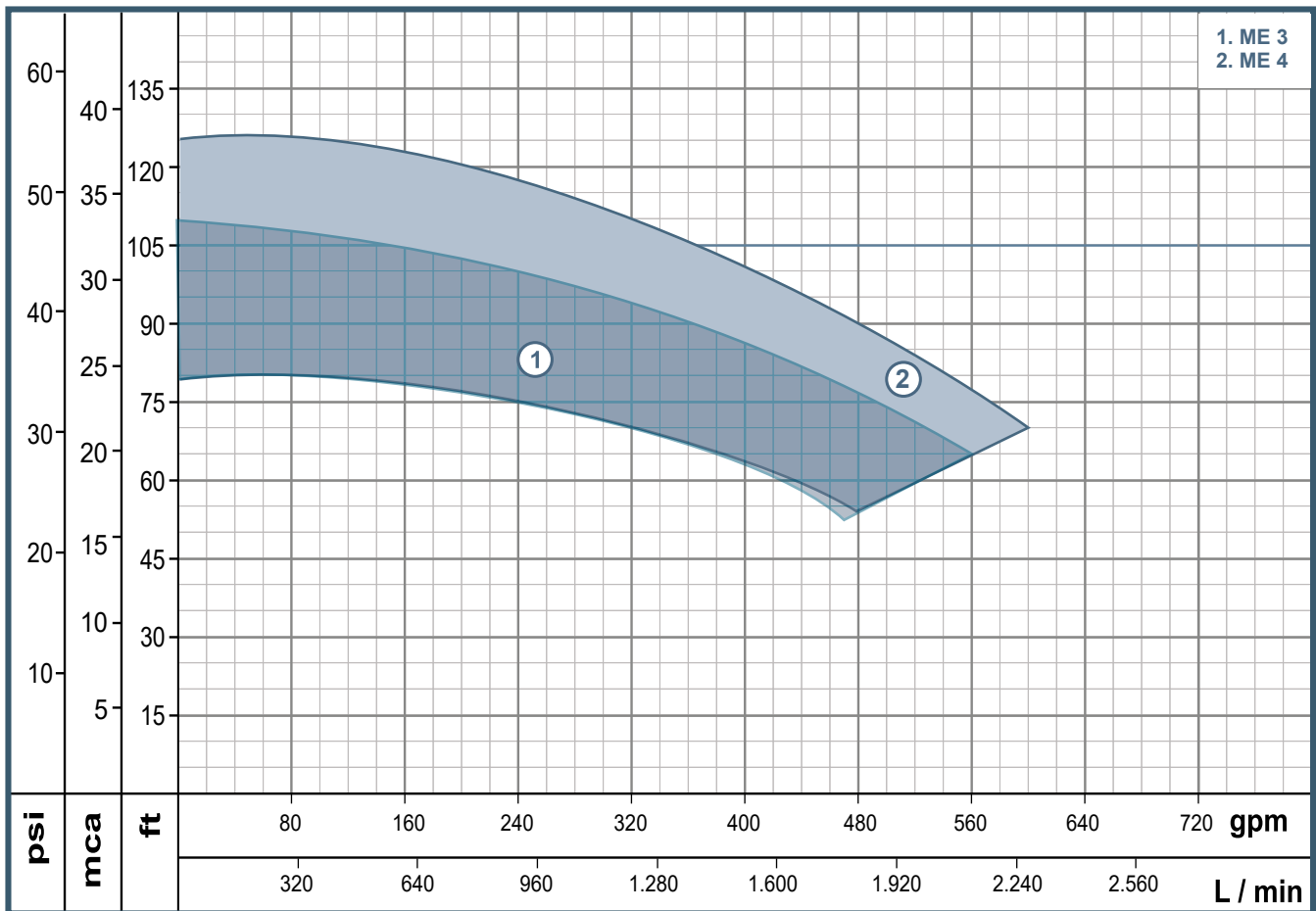


www.wdmpumps.com

2 poles (3600 rpm)



**2 poles (3600 rpm)**

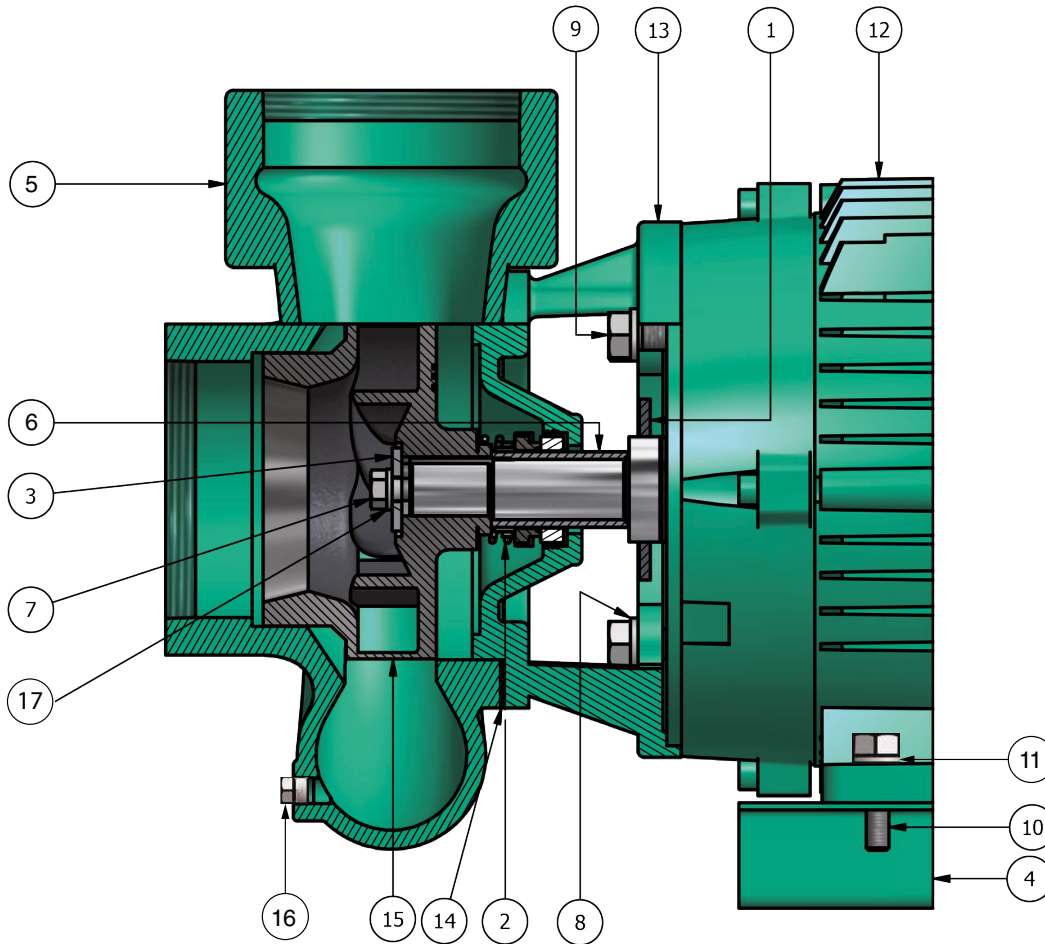


# Section ME Series

Medium Pressure Line  
Close Coupled  
Pumps



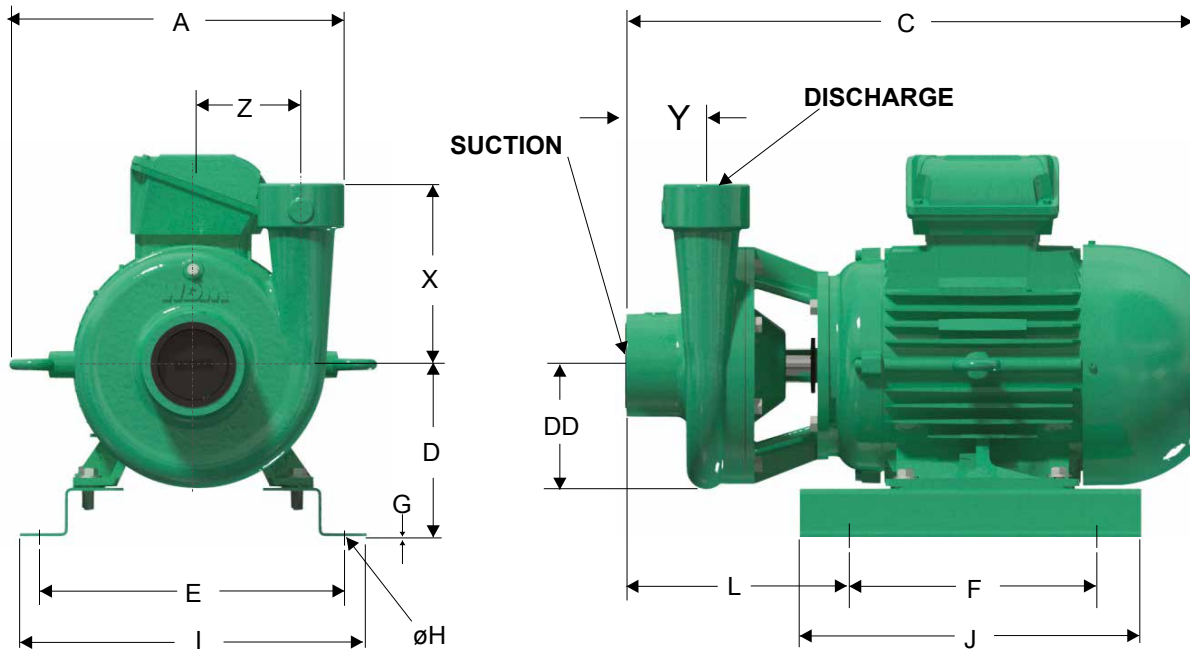
www.wdmpumps.com



| ITEM | QTY | DESCRIPTION         | MATERIAL                 |
|------|-----|---------------------|--------------------------|
| 1    | 1   | WASHER              | BUNA                     |
| 2    | 1   | MECHANICAL SEAL     | CARBON / CERAMIC / BUNA  |
| 3    | 1   | IMPELLER WASHER     | STAINLESS STEEL          |
| 4    | 1   | BASE                | CARBON STEEL             |
| 5    | 1   | CASE                | CARBON STEEL             |
| 6    | 1   | SHAFT SLEEVE        | STAINLESS STEEL AISI 304 |
| 7    | 1   | IMPELLER HEX. SCREW | STAINLESS STEEL AISI 304 |
| 8    | 4   | RETAINING WASHER    | CARBON STEEL             |

| ITEM | QTY | DESCRIPTION             | MATERIAL                              |
|------|-----|-------------------------|---------------------------------------|
| 9    | 4   | HEXAGONAL SUPPORT SCREW | CARBON STEEL                          |
| 10   | 4   | HEXAGONAL BASE SCREW    | CARBON STEEL                          |
| 11   | 4   | WASHER                  | CARBON STEEL                          |
| 12   | 1   | MOTOR                   | CHECK INFO WITH SUPPLIER              |
| 13   | 1   | BRACKET                 | CAST IRON ASTM A48                    |
| 14   | 1   | CASE GASKET             | STANDARD PAPER GASKET                 |
| 15   | 1   | IMPELLER                | CAST IRON OR STAINLESS STEEL AISI 304 |
| 16   | 1   | PLUG                    | CAST IRON ASTM A48                    |
| 17   | 1   | LOCK WASHER             | STAINLESS STEEL AISI 304              |





Dimensions (inches)

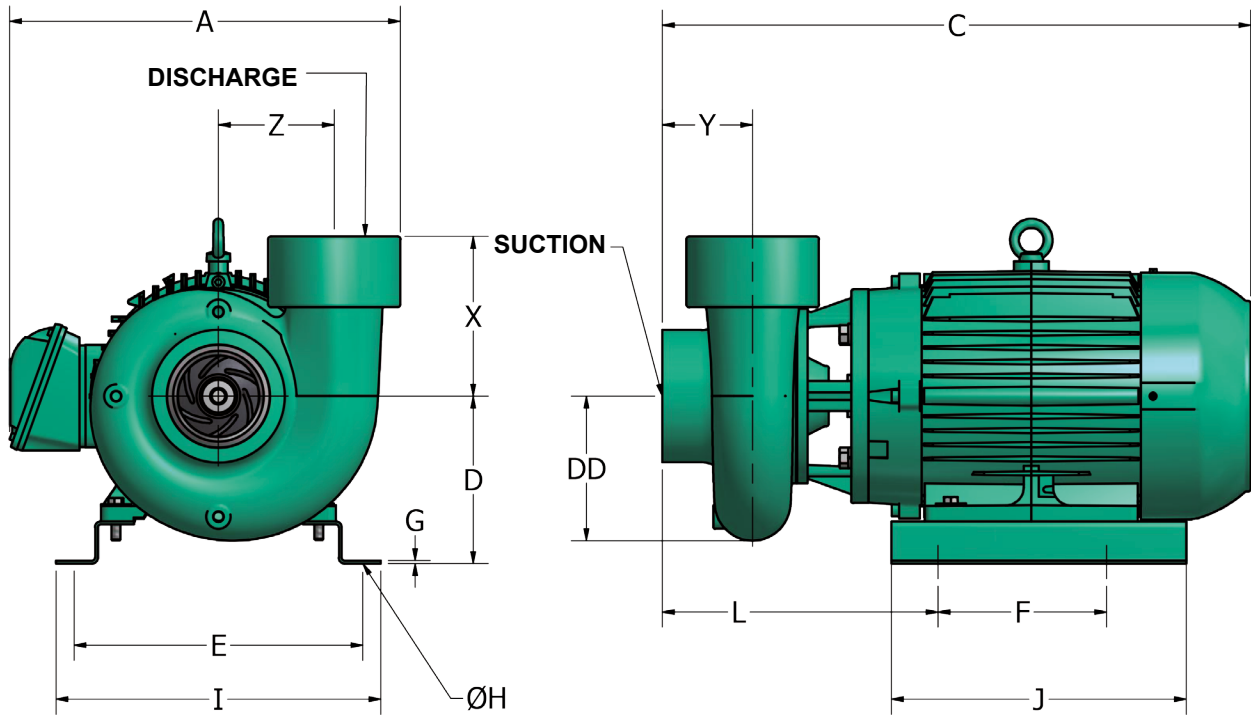
| Model         | Cast Iron         | Stainless Steel | A        | C        | D       | DD    | E       | F     | G   | H    | I       | L       | J      | X     | Y     | Z     | Frame | Suc    | Dis    |
|---------------|-------------------|-----------------|----------|----------|---------|-------|---------|-------|-----|------|---------|---------|--------|-------|-------|-------|-------|--------|--------|
| ME 1 15       | 1E0473            | 1E0473S         | 11       | 16 13/16 | 5 1/16  | 4 1/4 | 9 11/16 | 7 1/8 | 1/8 | 7/16 | 11 3/16 | 6 3/4   | 8 7/8  | 4 1/2 | 2     | 3 3/4 | 143JM | 1 1/2" | 1"     |
| ME 1 20       | 1E0245            | 1E0245S         | 11       | 16 13/16 | 5 1/16  | 4 1/4 | 9 11/16 | 7 1/8 | 1/8 | 7/16 | 11 3/16 | 6 3/4   | 8 7/8  | 4 1/2 | 2     | 3 3/4 | 145JM | 1 1/2" | 1"     |
| ME 1 30       | 1E0246            | 1E0246S         | 11       | 16 13/16 | 5 1/16  | 4 1/4 | 9 11/16 | 7 1/8 | 1/8 | 7/16 | 11 3/16 | 6 3/4   | 8 7/8  | 4 1/2 | 2     | 3 3/4 | 145JM | 1 1/2" | 1"     |
| ME 1 30-1     | 1E0468            | 1E0468S         | 11       | 16 13/16 | 5 1/16  | 4 1/4 | 9 11/16 | 7 1/8 | 1/8 | 7/16 | 11 3/16 | 6 3/4   | 8.875  | 4 1/2 | 2     | 3 3/4 | 145JM | 1 1/2" | 1"     |
| ME 1 50       | 1E0474            | 1E0474S         | 11 3/8   | 18 13/16 | 5 11/16 | 4 1/4 | 9 13/16 | 7     | 1/8 | 7/16 | 11 5/16 | 7       | 12 1/4 | 4 1/2 | 2     | 3 3/4 | 184JM | 1 1/2" | 1"     |
| ME 1 50-1     | 1E0469            | 1E0469S         | 11 3/8   | 18 13/16 | 5 11/16 | 4 1/4 | 9 13/16 | 7     | 1/8 | 7/16 | 11 5/16 | 8 1/8   | 12.25  | 4 1/2 | 2     | 3 3/4 | 184JM | 1 1/2" | 1"     |
| ME 1.5 15     | 1E0475            | 1E0475S         | 11 1/4   | 17 9/16  | 5 1/16  | 4 1/4 | 9 11/16 | 7 1/8 | 1/8 | 7/16 | 11 3/16 | 7 1/2   | 8 7/8  | 5 1/2 | 2 7/8 | 3 5/8 | 143JM | 2"     | 1 1/2" |
| ME 1.5 20     | 1E0248            | 1E0248S         | 11 1/4   | 17 9/16  | 5 1/16  | 4 1/4 | 9 11/16 | 7 1/8 | 1/8 | 7/16 | 11 3/16 | 7 5/8   | 8 7/8  | 5 1/2 | 2 7/8 | 3 5/8 | 145JM | 2"     | 1 1/2" |
| ME 1.5 30     | 1E0249            | 1E0249S         | 11 1/4   | 17 9/16  | 5 1/16  | 4 1/4 | 9 11/16 | 7 1/8 | 1/8 | 7/16 | 11 3/16 | 7 5/8   | 8 7/8  | 5 1/2 | 2 7/8 | 3 5/8 | 145JM | 2"     | 1 1/2" |
| ME 1.5 50-1   | 1E0471            | 1E0471S         | 11 5/8   | 19 5/8   | 5 11/16 | 4 1/4 | 9 13/16 | 7     | 1/8 | 7/16 | 11 5/16 | 8 7/8   | 12 1/4 | 5 1/2 | 2 7/8 | 3 5/8 | 184JM | 2"     | 1 1/2" |
| ME 1.5 50     | 1E0476            | 1E0476S         | 11 5/8   | 19 5/8   | 5 11/16 | 4 1/4 | 9 13/16 | 7     | 1/8 | 7/16 | 11 5/16 | 7 3/4   | 12 1/4 | 5 1/2 | 2 7/8 | 3 5/8 | 184JM | 2"     | 1 1/2" |
| ME 1.5 75     | 1E0251            | 1E0251S         | 12 9/16  | 20 5/16  | 6 3/16  | 4 1/4 | 11      | 7     | 1/8 | 7/16 | 12 1/2  | 10 5/8  | 12 1/4 | 5 1/2 | 2 7/8 | 3 5/8 | 184JM | 2"     | 1 1/2" |
| ME 2 30       | 1E0252            | 1E0252S         | 11 11/16 | 17 9/16  | 5 1/16  | 4 1/4 | 9 11/16 | 7 1/8 | 1/8 | 7/16 | 11 3/16 | 7 1/2   | 8 7/8  | 6 1/2 | 2 3/4 | 3 7/8 | 145JM | 2 1/2" | 2"     |
| ME 2 30-1     | 1E0477            | 1E0477S         | 11 11/16 | 17 9/16  | 5 1/16  | 4 1/4 | 9 11/16 | 7 1/8 | 1/8 | 7/16 | 11 3/16 | 7 1/2   | 8 7/8  | 6 1/2 | 2 3/4 | 3 7/8 | 184JM | 2 1/2" | 2"     |
| ME 2 50       | 1E0479            | 1E0479S         | 12 1/16  | 19 9/16  | 5 11/16 | 4 1/4 | 9 13/16 | 7     | 1/8 | 7/16 | 11 5/16 | 7 7/8   | 12 1/4 | 6 1/2 | 2 3/4 | 3 7/8 | 184JM | 2 1/2" | 2"     |
| ME 2 50-1TEFC | 1E0479 / 1E0479TC | 1E0479S         | 12 1/16  | 19 9/16  | 5 11/16 | 4 1/4 | 9 13/16 | 7     | 1/8 | 7/16 | 11 5/16 | 7 7/8   | 12 1/4 | 6 1/2 | 2 3/4 | 3 7/8 | 184JM | 2 1/2" | 2"     |
| ME 2 50-1     | 1E0478            | 1E0478S         | 12 1/16  | 19 9/16  | 5 11/16 | 4 1/4 | 9 13/16 | 7     | 1/8 | 7/16 | 11 5/16 | 8 7/8   | 12 1/4 | 6 1/2 | 2 3/4 | 3 7/8 | 184JM | 2 1/2" | 2"     |
| ME 2 75       | 1E0254            | 1E0254S         | 13       | 20 1/4   | 6 3/16  | 4 1/4 | 11      | 7     | 1/8 | 7/16 | 12 1/2  | 8 5/32  | 12 1/4 | 6 1/2 | 2 3/4 | 3 7/8 | 184JM | 2 1/2" | 2"     |
| ME 2 100      | 1E0255            | 1E0255S         | 14 1/8   | 21 3/4   | 5 15/16 | 4 1/4 | 12      | 7     | 1/8 | 7/16 | 13 1/2  | 8 15/16 | 12 1/4 | 6 1/2 | 2 3/4 | 3 7/8 | 215JM | 2 1/2" | 2"     |

# Dimensions ME Series

Medium Pressure Line  
Close Coupled  
Pumps



www.wdmpumps.com

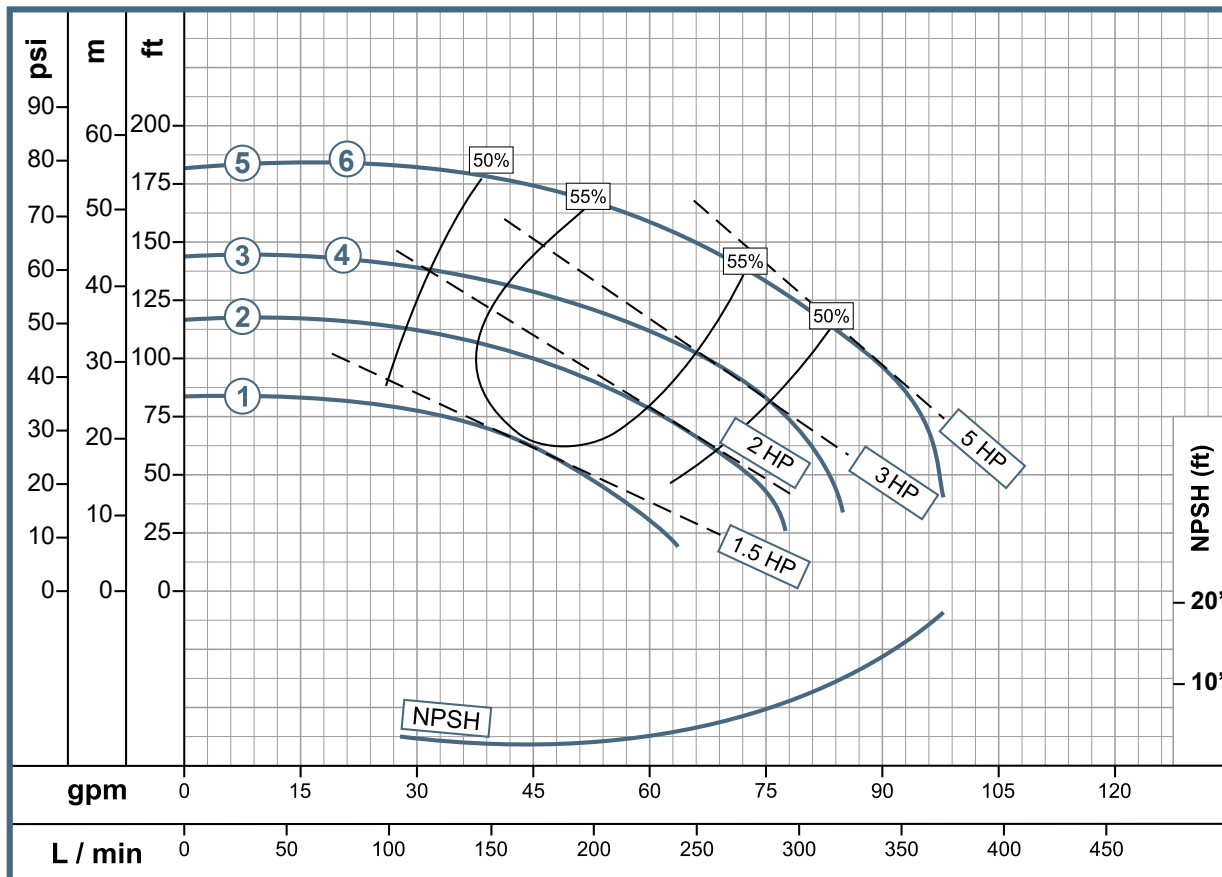


| Dimensions (Inches) |           |                 |         |          |         |        |          |   |     |      |        |        |        |       |       |         |       |     |     |
|---------------------|-----------|-----------------|---------|----------|---------|--------|----------|---|-----|------|--------|--------|--------|-------|-------|---------|-------|-----|-----|
| Model               | Cast Iron | Stainless Steel | A       | C        | D       | DD     | E        | F | G   | H    | I      | L      | J      | X     | Y     | Z       | Frame | Suc | Dis |
| ME 3 75             | 1E0256    | 1E0256S         | 13      | 21       | 6 5/32  | 5 5/16 | 10 15/16 | 7 | 1/8 | 7/16 | 12 1/2 | 9 1/4  | 12 1/4 | 5 1/2 | 1 7/8 | 4 1/2   | 184JM | 3   | 3   |
| ME 3 100            | 1E0257    | 1E0257S         | 13 1/2  | 21 11/16 | 6 15/16 | 5 5/16 | 12       | 7 | 1/8 | 7/16 | 13 1/2 | 11 1/2 | 12 1/4 | 5 1/2 | 1 7/8 | 4 1/2   | 213JM | 3   | 3   |
| ME 3 150            | 1E0258    | 1E0258S         | 13 1/2  | 24 1/16  | 6 15/16 | 5 5/16 | 12       | 7 | 1/8 | 7/16 | 13 1/2 | 11 1/2 | 12 1/4 | 5 1/2 | 1 7/8 | 4 1/2   | 215JM | 3   | 3   |
| ME 4 75             | 1E0259    | 1E0259S         | 13 3/4  | 21 11/16 | 6 5/32  | 6      | 10 5/16  | 7 | 1/8 | 7/16 | 12 1/2 | 10     | 12 1/4 | 6 5/8 | 3 3/4 | 4 13/16 | 184JM | 4   | 4   |
| ME 4 100            | 1E0260    | 1E0260S         | 14 5/16 | 23 1/32  | 6 15/16 | 6      | 12       | 7 | 1/8 | 7/16 | 13 1/2 | 11 3/4 | 12 1/4 | 6 5/8 | 3 3/4 | 4 13/16 | 213JM | 4   | 4   |
| ME 4 150            | 1E0261    | 1E0261S         | 14 5/16 | 24 1/2   | 6 15/16 | 6      | 12       | 7 | 1/8 | 7/16 | 13 1/2 | 11 3/4 | 12 1/4 | 6 5/8 | 3 3/4 | 4 13/16 | 215JM | 4   | 4   |

| Pump Features |                         |                  |           |                         |            |  |
|---------------|-------------------------|------------------|-----------|-------------------------|------------|--|
| Pump Type     | Design                  |                  |           | Impeller                |            |  |
| Centrifuge    | Close Coupled           |                  |           | Closed / Cast Iron / SS |            |  |
| Stages        | Mechanical Seal         |                  |           | Fluid Temperature       |            |  |
| 1             | 1 1/4" T21              |                  |           | 26.6° F to 224.6° F     |            |  |
| Model         | Ref. Cast Iron Impeller | Ref. SS Impeller | Ø Suction | Ø Discharge             | Ø Impeller |  |
| 1 ME 1 15     | 1E0473                  | 1E0473S          | 1 1/2"    | 1"                      | 5.250"     |  |
| 2 ME 1 20     | 1E0245                  | 1E0245S          | 1 1/2"    | 1"                      | 5.250"     |  |
| 3 ME 1 30-1   | 1E0468                  | 1E0468S          | 1 1/2"    | 1"                      | 5.875"     |  |
| 4 ME 1 30     | 1E0246                  | 1E0246S          | 1 1/2"    | 1"                      | 5.875"     |  |
| 5 ME 1 50-1   | 1E0469                  | 1E0469S          | 1 1/2"    | 1"                      | 6.500"     |  |
| 6 ME 1 50     | 1E0474                  | 1E0474S          | 1 1/2"    | 1"                      | 6.500"     |  |

| Motor Features |        |                 |                |       |
|----------------|--------|-----------------|----------------|-------|
| Drive          |        | Speed (rpm)     | Frequency (Hz) |       |
| Electric       |        | 3,600 (nominal) | 60             |       |
| Power (hp)     | Phases | Voltage (V)     | Enclosure      | Frame |
| 1.5            | 3      | 230 / 460       | TEFC           | 143JM |
| 2              | 3      | 230 / 460       | TEFC           | 145JM |
| 3              | 1      | 230             | ODP            | 145JM |
| 3              | 3      | 230 / 460       | TEFC           | 145JM |
| 5              | 1      | 230             | TEFC           | 184JM |
| 5              | 3      | 230 / 460       | TEFC           | 184JM |

### Performance Curve



# Medium Pressure Line

ME 1.5 15  
ME 1.5 20  
ME 1.5 30

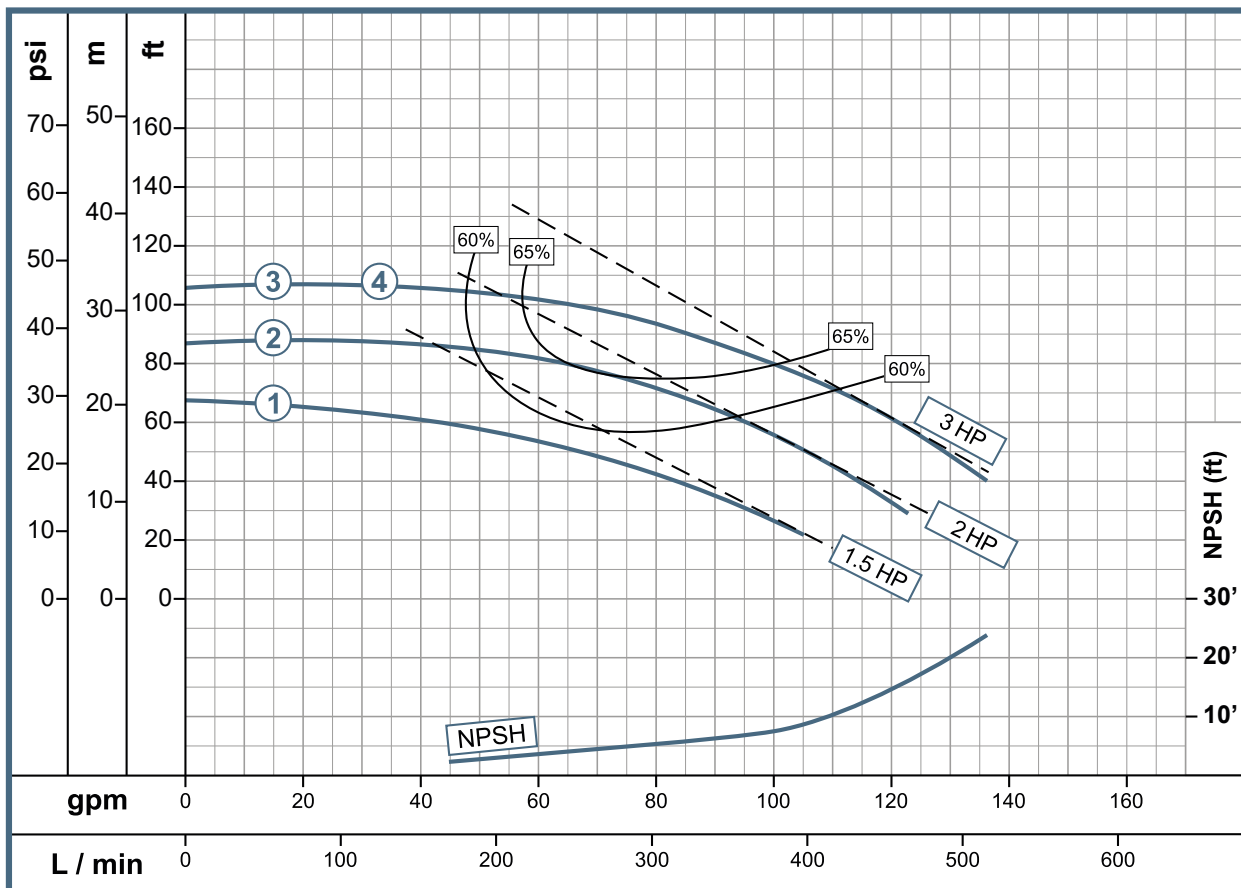


www.wdmpumps.com

| Pump Features |                         |                  |           |                         |            |  |
|---------------|-------------------------|------------------|-----------|-------------------------|------------|--|
| Pump Type     | Design                  |                  |           | Impeller                |            |  |
| Centrifuge    | Close Coupled           |                  |           | Closed / Cast Iron / SS |            |  |
| Stages        | Mechanical Seal         |                  |           | Fluid Temperature       |            |  |
| 1             | 1 1/4" T21              |                  |           | 26.6° F to 224.6° F     |            |  |
| Model         | Ref. Cast Iron Impeller | Ref. SS Impeller | Ø Suction | Ø Discharge             | Ø Impeller |  |
| 1 ME 1.5 15   | 1E0475                  | 1E0475S          | 2"        | 1 1/2"                  | 4.375"     |  |
| 2 ME 1.5 20   | 1E0248                  | 1E0248S          | 2"        | 1 1/2"                  | 4.75"      |  |
| 3 ME 1.5 30   | 1E0249                  | 1E0249S          | 2"        | 1 1/2"                  | 5.25"      |  |
| 4 ME 1.5 30-1 | 1E0470                  | 1E0470S          | 2"        | 1 1/2"                  | 5.25"      |  |

| Motor Features |        |                 |                |       |
|----------------|--------|-----------------|----------------|-------|
| Drive          |        | Speed (rpm)     | Frequency (Hz) |       |
| Electric       |        | 3,600 (nominal) | 60             |       |
| Power (hp)     | Phases | Voltage (V)     | Enclosure      | Frame |
| 1.5            | 3      | 230 / 460       | TEFC           | 143JM |
| 2              | 3      | 230 / 460       | TEFC           | 145JM |
| 3              | 3      | 230 / 460       | TEFC           | 145JM |
| 3              | 1      | 230             | ODP            | 145JM |

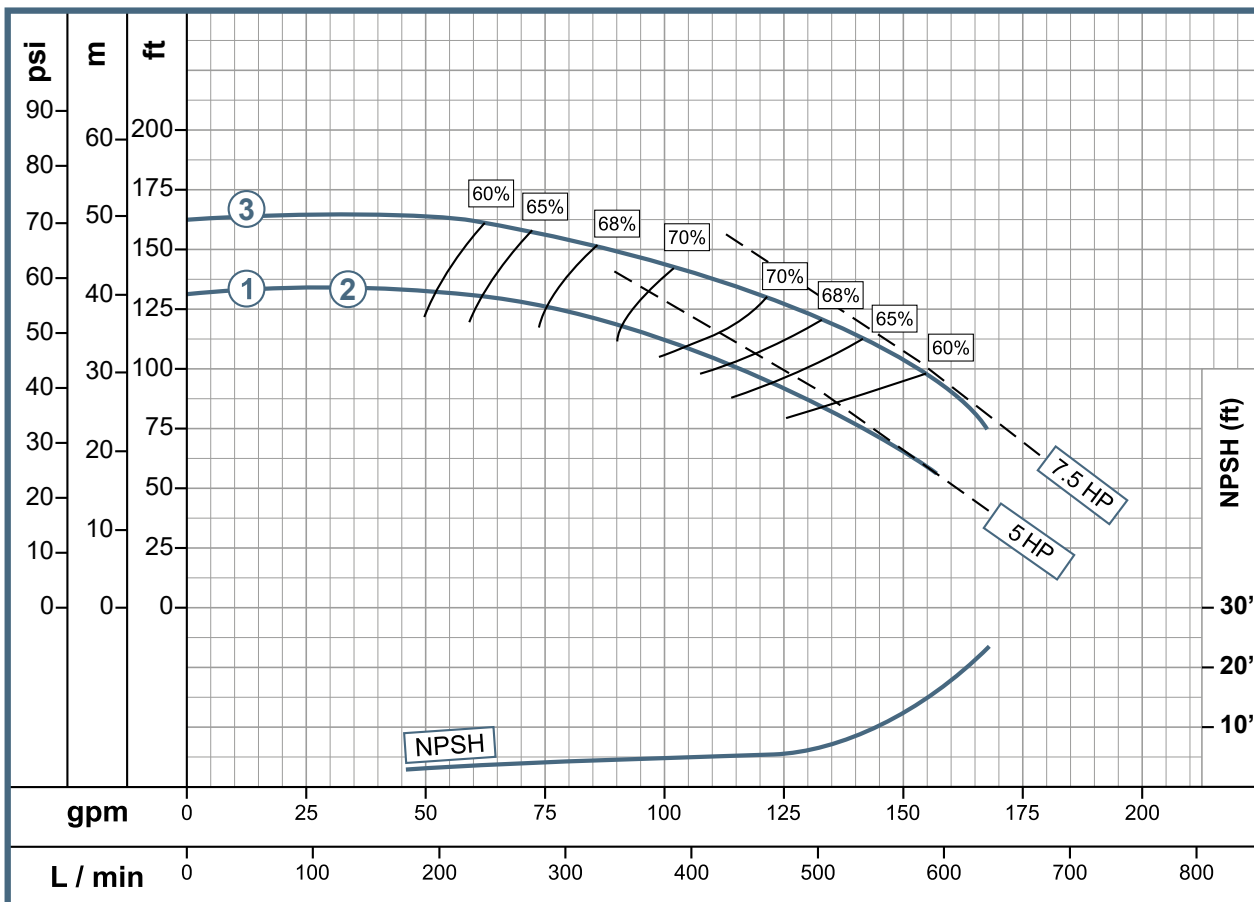
## Performance Curve



| Pump Features |                         |                  |           |                         |            |
|---------------|-------------------------|------------------|-----------|-------------------------|------------|
| Pump Type     | Design                  |                  |           | Impeller                |            |
| Centrifuge    | Close Coupled           |                  |           | Closed / Cast Iron / SS |            |
| Stages        | Mechanical Seal         |                  |           | Fluid Temperature       |            |
| 1             | 1 1/4" T21              |                  |           | 26.6° F to 224.6° F     |            |
| Model         | Ref. Cast Iron Impeller | Ref. SS Impeller | Ø Suction | Ø Discharge             | Ø Impeller |
| 1 ME 1.5 50   | 1E0476                  | 1E0476S          | 2"        | 1 1/2"                  | 6"         |
| 2 ME 1.5 50-1 | 1E0471                  | 1E0471S          | 2"        | 1 1/2"                  | 6"         |
| 3 ME 1.5 75   | 1E0251                  | 1E0251S          | 2"        | 1 1/2"                  | 6.5"       |

| Motor Features |        |                 |                |       |
|----------------|--------|-----------------|----------------|-------|
| Drive          |        | Speed (rpm)     | Frequency (Hz) |       |
| Electric       |        | 3,600 (nominal) | 60             |       |
| Power (hp)     | Phases | Voltage (V)     | Enclosure      | Frame |
| 5              | 3      | 230 / 460       | TEFC           | 184JM |
| 5              | 1      | 230             | ODP            | 184JM |
| 7.5            | 3      | 230 / 460       | TEFC           | 184JM |

### Performance Curve



# Medium Pressure Line

- ME 2 30
- ME 2 50
- ME 2 75
- ME 2 100

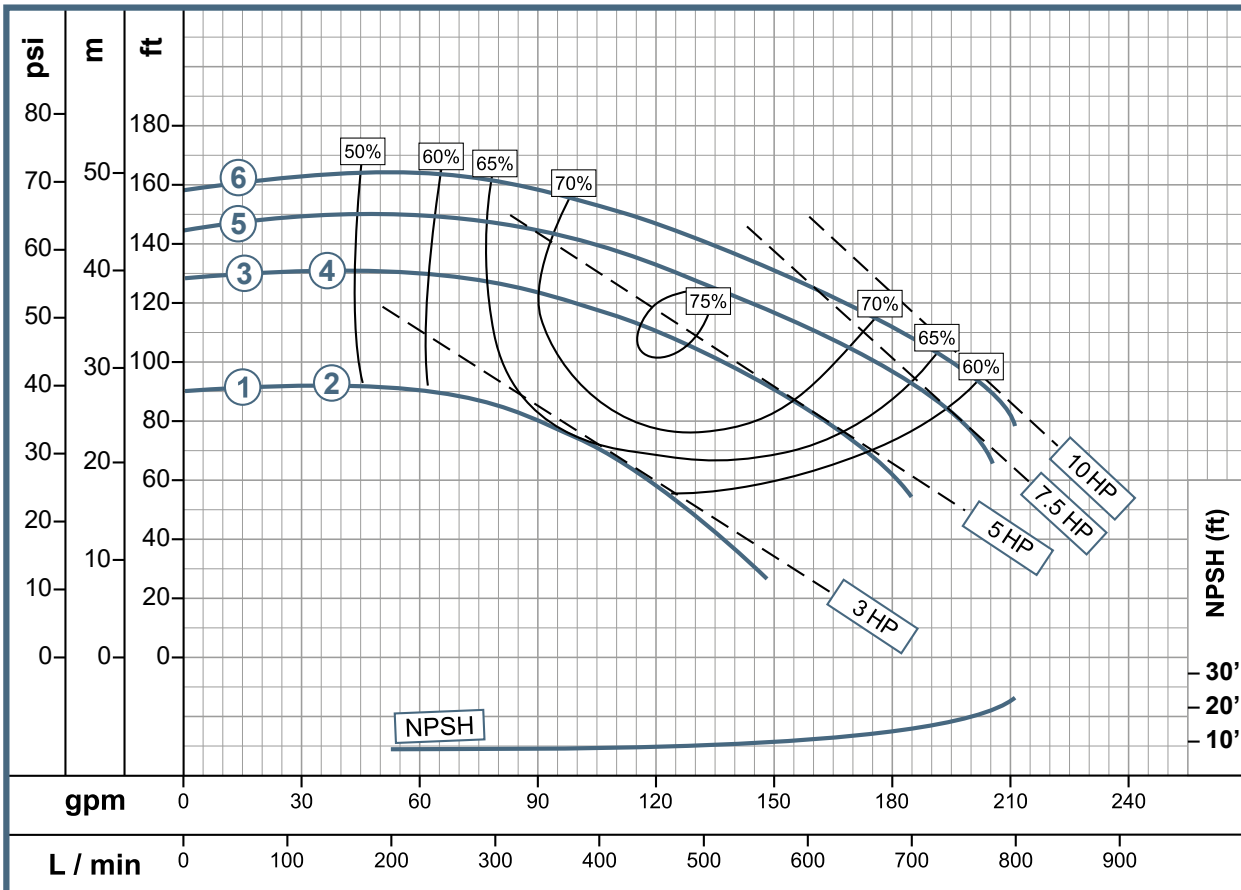


www.wdmpumps.com

| Pump Features    |                         |                  |                         |             |            |
|------------------|-------------------------|------------------|-------------------------|-------------|------------|
| Pump Type        | Design                  |                  | Impeller                |             |            |
| Centrifuge       | Close Coupled           |                  | Closed / Cast Iron / SS |             |            |
| Stages           | Mechanical Seal         |                  | Fluid Temperature       |             |            |
| 1                | 1 1/4" T21              |                  | 26.6° F to 224.6° F     |             |            |
| Model            | Ref. Cast Iron Impeller | Ref. SS Impeller | Ø Suction               | Ø Discharge | Ø Impeller |
| 1 ME 2 30-1      | 1E0252                  | 1E0252S          | 2 1/2"                  | 2"          | 5.062"     |
| 2 ME 2 30        | 1E0477                  | 1E0477S          | 2 1/2"                  | 2"          | 5.062"     |
| 3 ME 2 50-1 TEFC | 1E0479 / 1E0479TC       | 1E0479S          | 2 1/2"                  | 2"          | 5.812"     |
| 4 ME 2 50        | 1E0478                  | 1E0478S          | 2 1/2"                  | 2"          | 5.812"     |
| 5 ME 2 75        | 1E0254                  | 1E0254S          | 2 1/2"                  | 2"          | 6.375"     |
| 6 ME 2 100       | 1E0255                  | 1E0255S          | 2 1/2"                  | 2"          | 6.500"     |

| Motor Features |        |                 |                |       |
|----------------|--------|-----------------|----------------|-------|
| Drive          |        | Speed (rpm)     | Frequency (Hz) |       |
| Electric       |        | 3,600 (nominal) | 60             |       |
| Power (hp)     | Phases | Voltage (V)     | Enclosure      | Frame |
| 3              | 1      | 230             | ODP            | 145JM |
| 3              | 3      | 230/460         | TEFC           | 145JM |
| 5              | 1      | 230             | TEFC           | 184JM |
| 5              | 3      | 230/460         | TEFC           | 184JM |
| 7.5            | 3      | 230/460         | TEFC           | 184JM |
| 10             | 3      | 230/460         | TEFC           | 215JM |

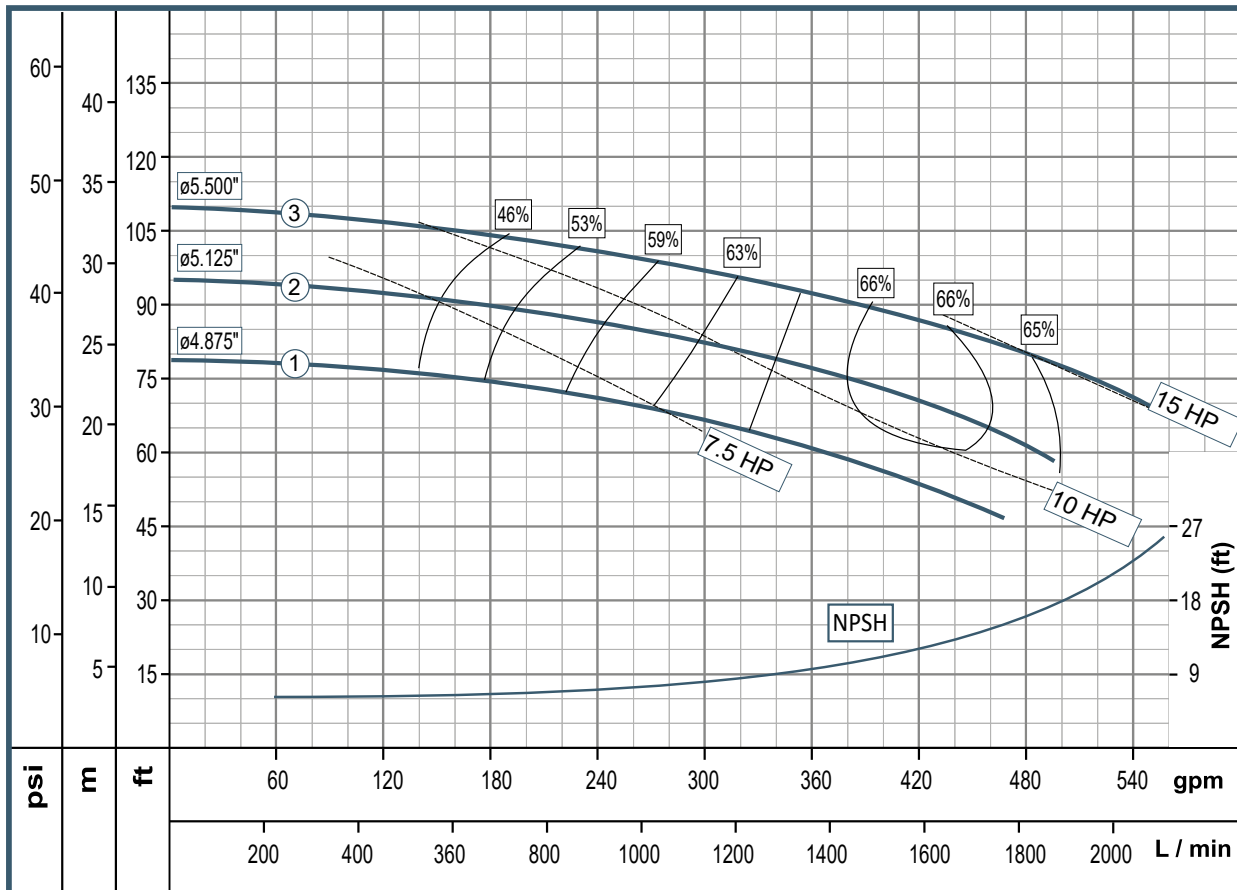
## Performance Curve



| Pump Features |                         |                  |           |                            |            |
|---------------|-------------------------|------------------|-----------|----------------------------|------------|
| Pump Type     | Design                  |                  |           | Impeller                   |            |
| Centrifuge    | Close Coupled           |                  |           | Semi Open / Cast Iron / SS |            |
| Stages        | Mechanical Seal         |                  |           | Fluid Temperature          |            |
| 1             | 1 1/4" T21              |                  |           | 26.6° F to 224.6° F        |            |
| Model         | Ref. Cast Iron Impeller | Ref. SS Impeller | Ø Suction | Ø Discharge                | Ø Impeller |
| 1 ME 3 75     | 1E0256                  | 1E0256S          | 3"        | 3"                         | 4.875"     |
| 2 ME 3 100    | 1E0257                  | 1E0257S          | 3"        | 3"                         | 5.125"     |
| 3 ME 3 150    | 1E0258                  | 1E0258S          | 3"        | 3"                         | 5.500"     |

| Motor Features |        |                 |                |       |
|----------------|--------|-----------------|----------------|-------|
| Drive          |        | Speed (rpm)     | Frequency (Hz) |       |
| Electric       |        | 3,600 (nominal) | 60             |       |
| Power (hp)     | Phases | Voltage (V)     | Enclosure      | Frame |
| 7.5            | 3      | 230 / 460       | TEFC           | 184JM |
| 10             | 3      | 230 / 460       | TEFC           | 213JM |
| 15             | 3      | 230 / 460       | TEFC           | 215JM |

### Performance Curve



# Medium Pressure Line

ME 4 75  
ME 4 100  
ME 4 150

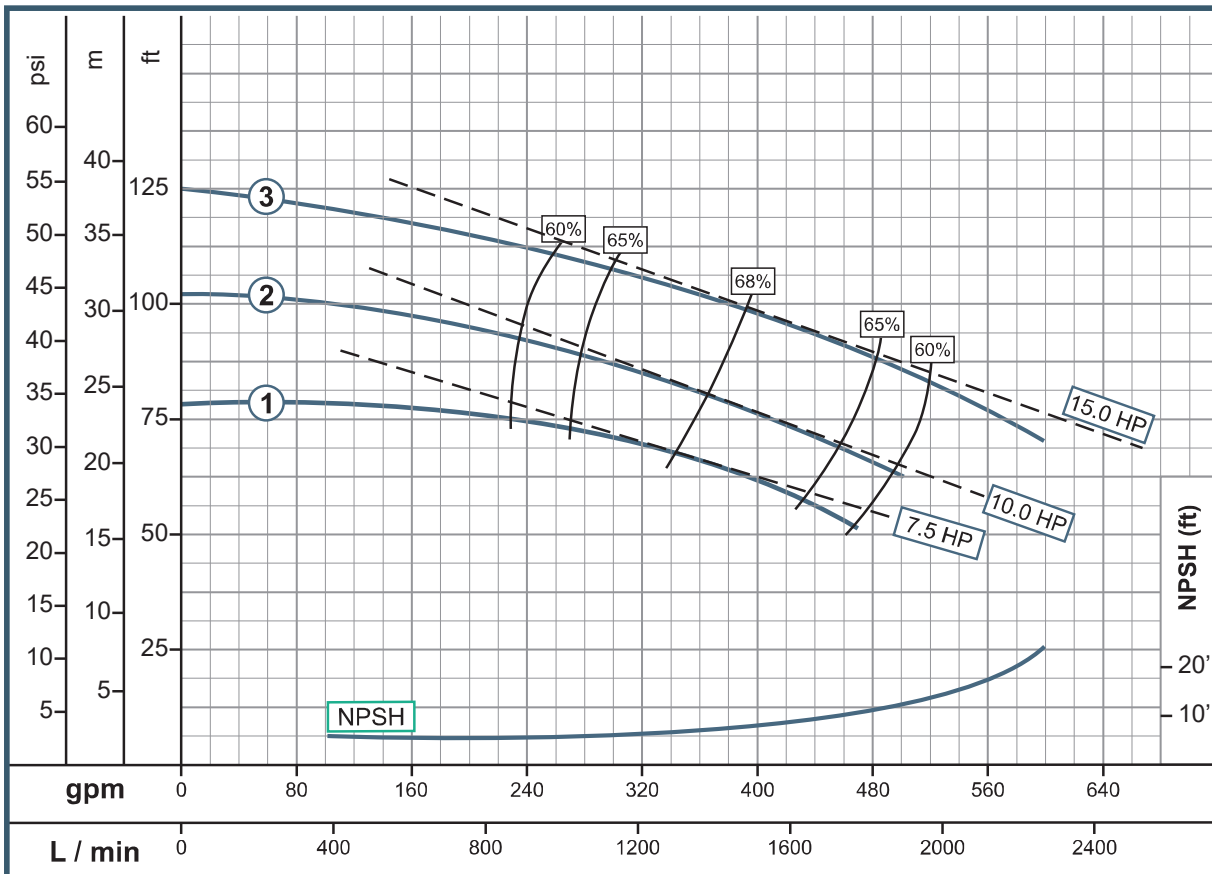


www.wdmpumps.com

| Pump Features |                         |                  |           |                         |            |
|---------------|-------------------------|------------------|-----------|-------------------------|------------|
| Pump Type     | Design                  |                  |           | Impeller                |            |
| Centrifuge    | Close Coupled           |                  |           | Closed / Cast Iron / SS |            |
| Stages        | Mechanical Seal         |                  |           | Fluid Temperature       |            |
| 1             | 1 1/4" T21              |                  |           | 26.6° F to 224.6° F     |            |
| Model         | Ref. Cast Iron Impeller | Ref. SS Impeller | Ø Suction | Ø Discharge             | Ø Impeller |
| 1 ME 4 75     | 1E0259                  | 1E0259S          | 4"        | 4"                      | 5.000"     |
| 2 ME 4 100    | 1E0260                  | 1E0260S          | 4"        | 4"                      | 5.437"     |
| 3 ME 4 150    | 1E0261                  | 1E0261S          | 4"        | 4"                      | 5.625"     |

| Motor Features |        |                 |                |       |
|----------------|--------|-----------------|----------------|-------|
| Drive          |        | Speed (rpm)     | Frequency (Hz) |       |
| Electric       |        | 3,600 (nominal) | 60             |       |
| Power (hp)     | Phases | Voltage (V)     | Enclosure      | Frame |
| 7.5            | 3      | 230 / 460       | TEFC           | 184JM |
| 10             | 3      | 230 / 460       | TEFC           | 213JM |
| 15             | 3      | 230 / 460       | TEFC           | 215JM |

## Performance Curve





[www.wdmpumps.com](http://www.wdmpumps.com)



■ [www.wdmpumps.com](http://www.wdmpumps.com)

|         |          |
|---------|----------|
| VERSIÓN | 1        |
| FECHA   | 27/06/24 |