

IVP/ IVP CC

IN-LINE PUMPS

www.wdmpumps.com

For more than 60 years the name WDM™ has been synonymous worldwide with innovation and reliability for pumping technology

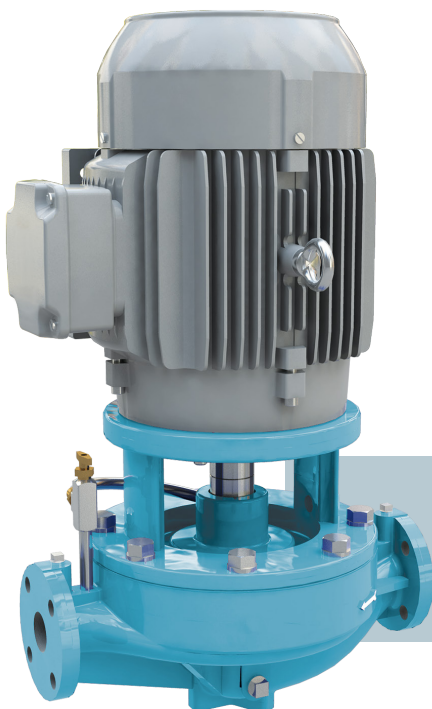
WDM is an innovative and efficient centrifugal pump technology company that offers operators of Pump Systems and a wide range of quality products. WDM is committed to global excellence with a complete range of Pumps, Fire Pump Packages and related products, such as Decoking Systems and Tools to support the core markets, namely Oil & Gas, Petrochemical, Power, Heavy Industry Applications, Mining and Water Services.

The broad product line complies with the most demanding quality specifications and goes beyond stringent industry standards such as API, ANSI, Hydraulic Institute, Underwriter's Laboratories, Factory Mutual and ISO 9001.

WDM is a vertically integrated company with its own foundry, machine shop, pump manufacturing plants and service centers. With strategically located manufacturing plants, operating offices and service centers in many parts of the world, Ruhrpumpen is truly a global pump company which also has the strength to focus on the local necessities of each client.

IVP Pumps (OH4)

The new WDM IVP In-Line Pump design allows direct connection to the pipelines which reduces installation costs and minimizes the footprint (floor space). These pumps are designed to make the maintenance of the unit easier in every possible way, reducing down time and maintenance costs, and also ensuring prolonged life. With both configurations, split-coupled and close coupled design. The replacement of the mechanical seal becomes fast and simple, without disconnecting the pump from the pipeline or removing the motor (Not available for IVP-CC). Options exist to select between internally or externally mounted mechanical seal, which allows choice between high performance or economical seals. The IVP Pump comes in 28 hydraulic sizes.



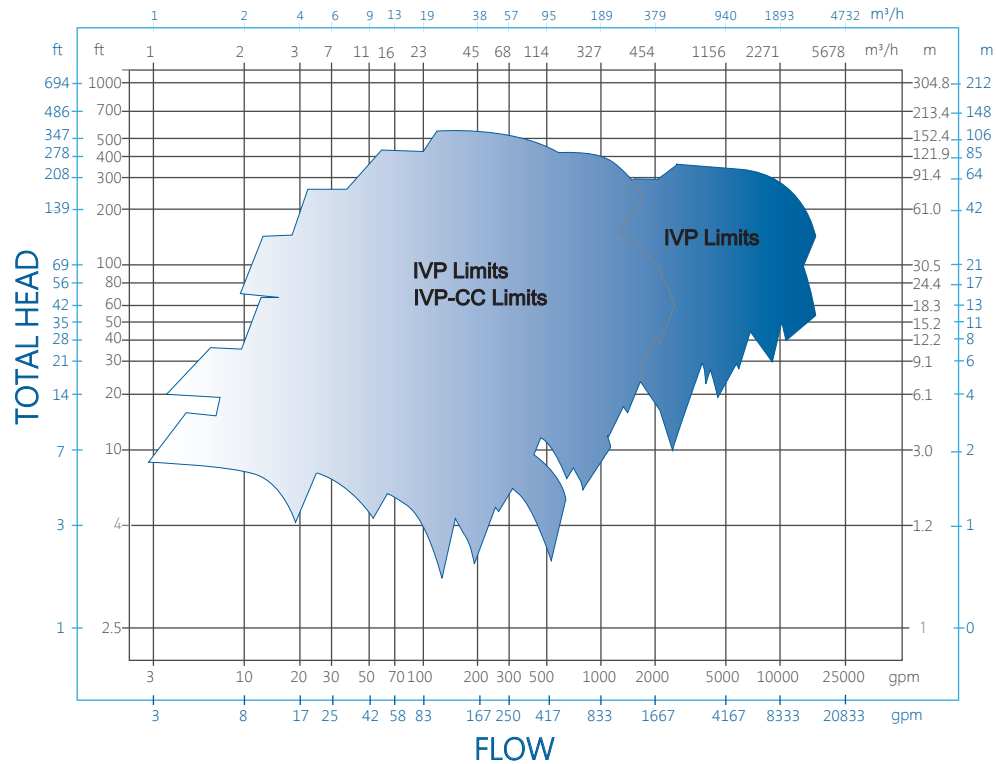
IVP-CC Close Coupled Pump

The IVP Close Coupled pump has the feature of case and impeller interchangeability with the IVP Split Coupled pump.

Performance Range

Selection Chart IVP / IVP-CC

Various Poles
 — 50 Hz — 60 Hz



In-Line Broad Applications Range

- Chemical
- Petrochemical
- Petroleum Coal
- Fiber
- Pulp and Paper
- Food and Beverage
- Pharmaceutical
- Fats and Oils
- Soap
- Paint
- Automotive
- Primary Metal
- Rubber
- Metal
- Fabrication
- Utility
- Fire Service
- Condensed Water
- Ice Water
- Service Water
- Fire Systems
- Ocean Water
- Air Conditioning Systems
- Building Water Supply Systems

Description IVP

MATERIALS OF CONSTRUCTION

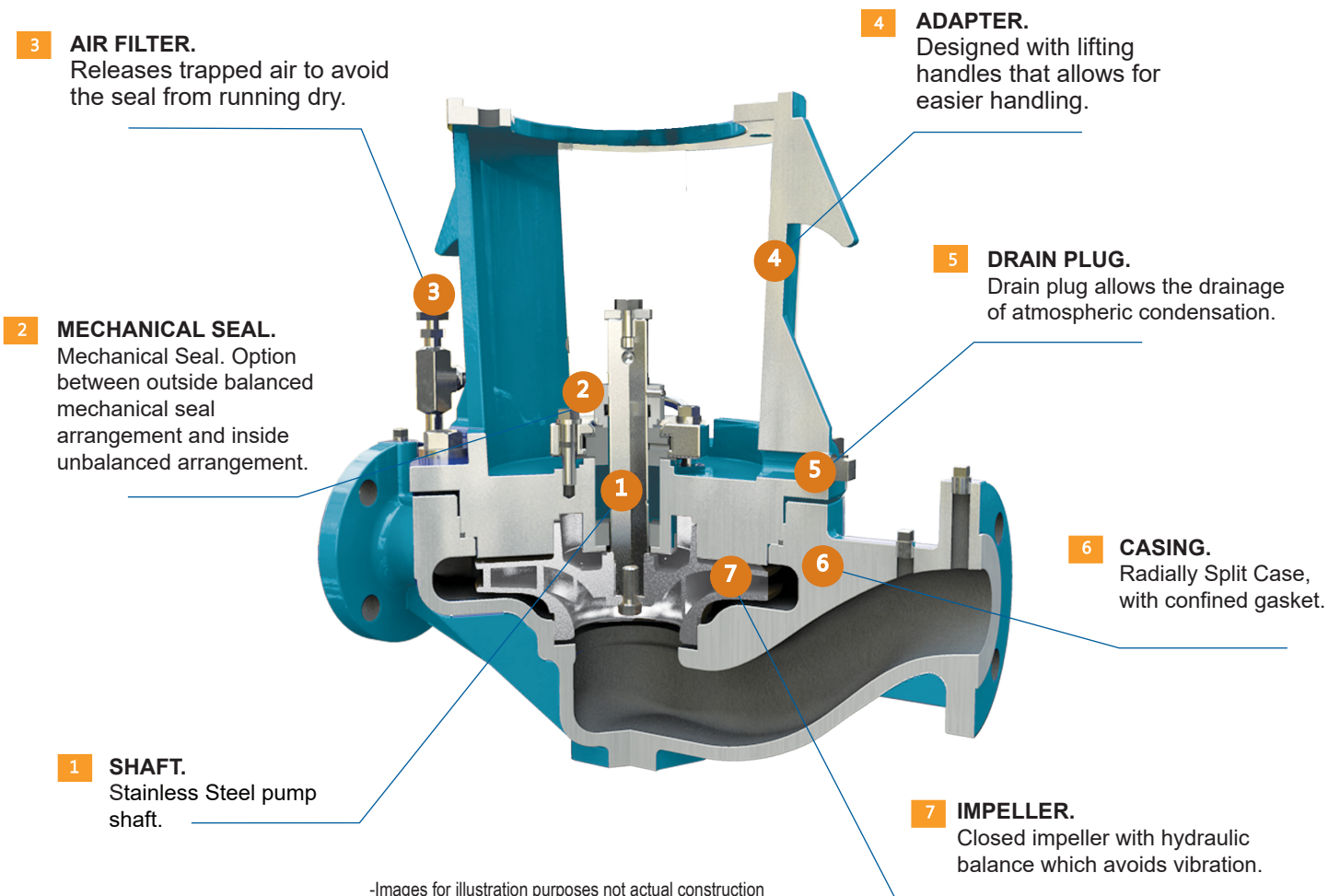
Ruhrpumpen's IVP pump is designed in:

- Cast Iron/ SST (CF8)

IVP PERFORMANCE DATA

| | | |
|-------------|-------------------------------|------------------|
| Capacity | up to 2,271 m ³ /h | 10,000 U.S. gpm |
| Head | up to 122 m | 200 ft |
| Pressure | up to 19 bar | 275 psig |
| Temperature | -45 °C to 150 °C | -50 °F to 300 °F |

Note: For pump operation outside this range, please contact a Ruhrpumpen representative.



PRODUCT DESCRIPTION

- Split-coupling simplifies maintenance and allows an easy access to the mechanical seal without disconnecting the pump or removing the motor
- Flanged suction and discharge in common center line
- Designed for working with pressures up to 375 PSI fully enclosed, balanced, one-piece Impeller design
- Coupling Guard for protection during operation
- Water Drainer to avoid condensed water collection

Description IVP-CC

MATERIALS OF CONSTRUCTION

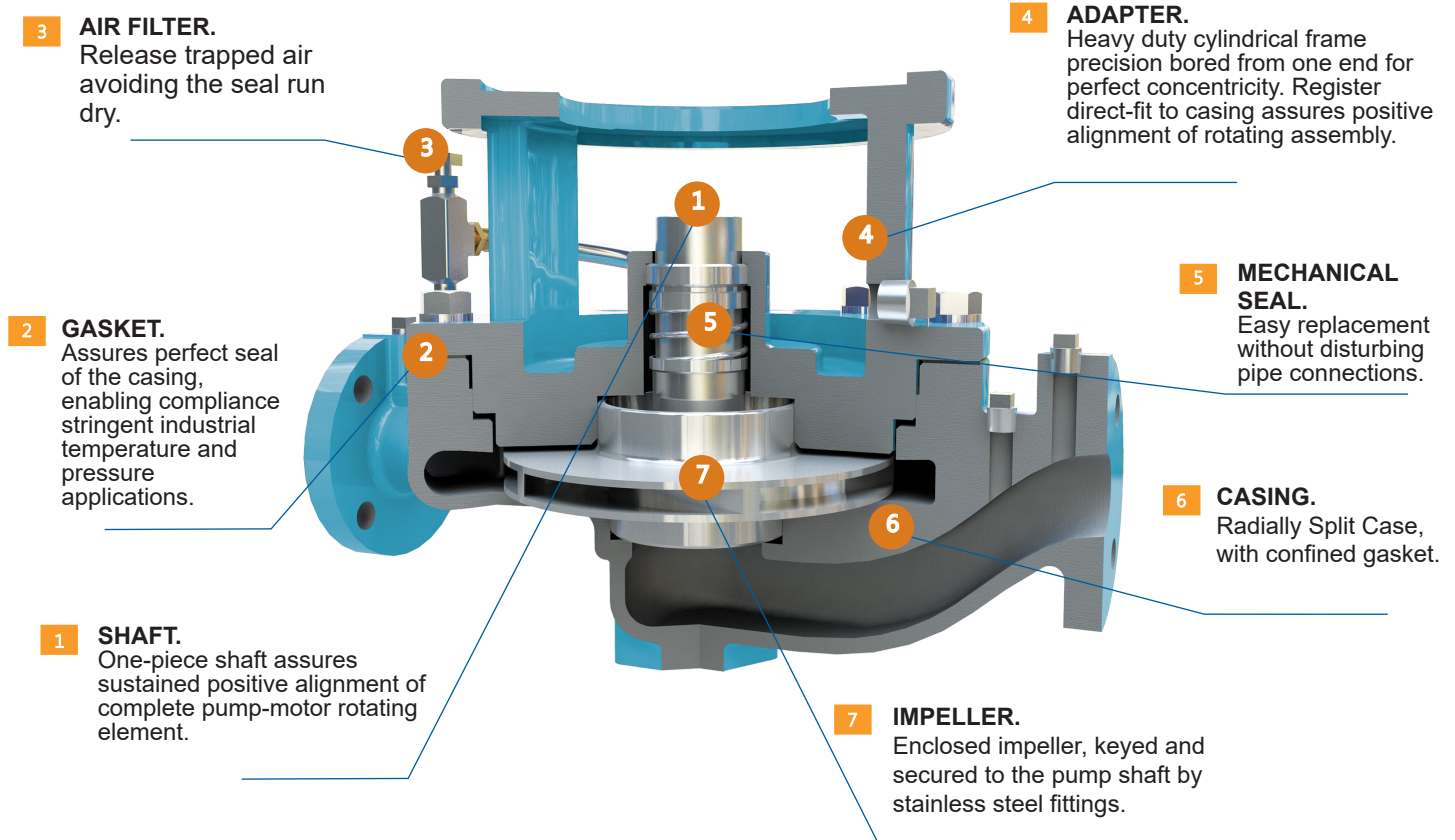
Ruhrpumpen's IVP-CC pump is designed in:

- Cast Iron/ SST (CF8)

IVP-CC PERFORMANCE DATA

| | | |
|-------------|-----------------------------|------------------|
| Capacity | up to 367 m ³ /h | 1,616 U.S. gpm |
| Head | up to 122 m | to 200 ft |
| Pressure | up to 5.46 bar | 79.21 psig |
| Temperature | -45 °C to 150 °C | -50 °F to 300 °F |

Note: For pump operation outside this range, please contact a Ruhrpumpen representative.



-Images for illustration purposes not actual construction

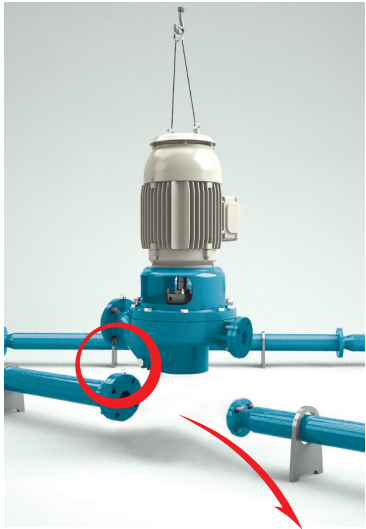
PRODUCT DESCRIPTION

- Single stage, single suction vertical in-line pump
- Close-coupling
- Radially split casing with side-side suction and discharge configuration
- Fully enclosed impeller dynamically balanced which avoids vibration
- Top Pull-Out allows complete rotating assembly easily removed for inspection without disturbing piping
- Flanged suction and discharge, aligned to center line
- Case and impeller of some sizes are interchangeable with IVP split coupled

In-Line Pump Benefits

IIL In-Line

**ANSI Drop-in replacement.
Immediate solution.**



ANSI sizes. No need to change pipeline.

IIL & IVP

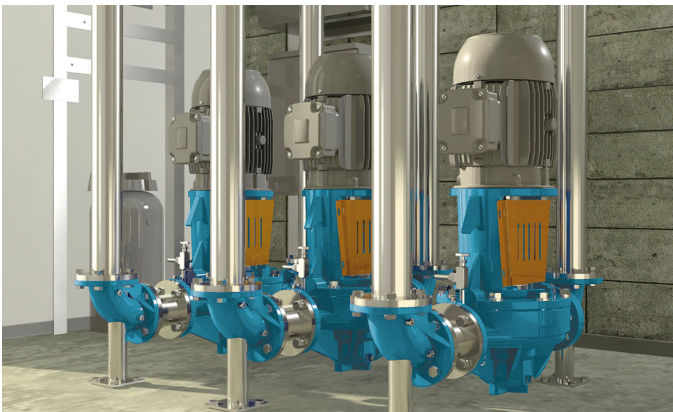
Easy Maintenance



- Complete rotating assembly easily removed for inspection without disturbing piping
- Full circle register protected by Confined gasket assures permanent alignment

IVP

Compact Design



- IVP saves floor spacing with its compact footprint
- IVP's Coupling Guard protects the pump operator during working periods

IVP-CC



The IVP Close Coupled design generates a cost savings for the Pump Operations.

Fire Fighting



The IVP pumps are available for fire fighting applications.

MEXICO:

Monterrey

Address: Sigma 9224 Cd. Industrial Mitras, García,
N.L., PC: 66000.

Phone: (81) 8381 0913

Guadalajara

Address: Calle Javier Ruiz Velazco No.10, Colonia
Balcones del Sol, Zapopán, Jalisco. CP 45068.

Phone: (33) 3812 9481

Hermosillo

Address: Av. Primera de Periférico No. 436, entre
Simón Bley y Manuel I. Loaiza, Colonia Luis Encinas.
PC 83138.

Phone: (66) 2207 1158

Estado de Mexico

Address: Boulevard Centro Industrial No. 26 Bod, B2
Fraccionamiento Industrial Puente de Vigas,
Tlanepantla. PC 54070

Phone: (55) 6387 8896

Cuernavaca

Phone: (777) 500 5435

Puebla

Phone: (81)1660 7495

Cancún

Phone: (81)2621 3761

Mexicali

Phone: (664) 484 0497

Chihuahua

Phone: (614) 231 8070

Villahermosa

Phone: (993) 128 9458

PANAMA:

Ciudad de Panamá

Address: Calle W con calle 15, Parque Lafevre.

Phone: (+507) 221 1171

COLOMBIA:

Bogota D.C.

Address: Aut. Bogotá - Medellín KM 7,5 Costado
Occidental, Parque Industrial Celta Bod. 86 y 93.

E-mail: construccion@barnes.com.co

PBX: (+1) 743 9090

Fax: (+1) 742 6825

PERÚ:

Lima

E-mail: edcasado@wdmpumps.com

Phone: (+511) 9878 15371

ARGENTINA:

Provincia de Buenos Aires

Address: Le Corbusier 240 (B1616AEF)

Phone: (+5411) 4463 1477 / (+5411) 4463 3000

UNITED STATES:

Tulsa, Oklahoma

Address: 4501 S 86th East Ave, OK 74145

Phone: 800 783 6756 / 214 337 8780

GUATEMALA:

Ciudad de Guatemala

Address: 2a. Ave. 13-35, Zona 17 Ofibodega N. 16,
Los Almendros

Phone: (+502) 2255 1796 / (+502) 2255 5937