



ANSI Acoplada en
Eje Libre



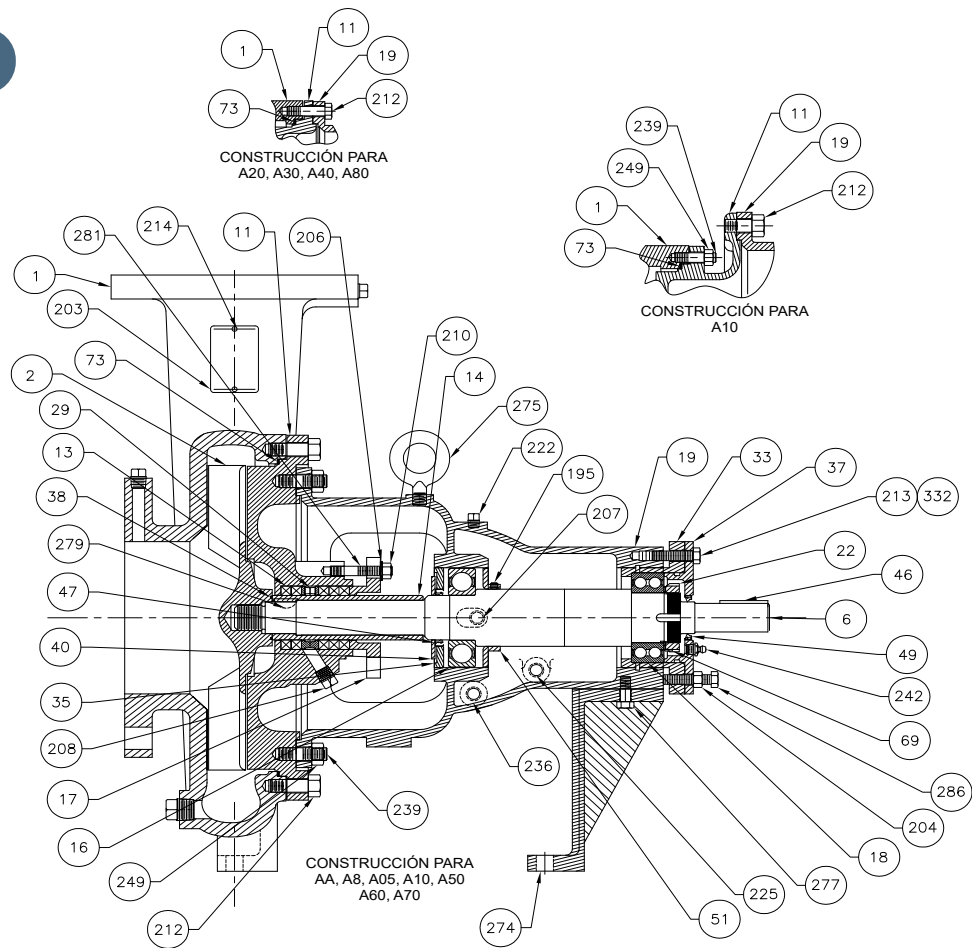
Ficha Técnica ANSI

3065 A40

0601537 / 0676914 (1.750 RPM)

WDM PUMPS

Prensa Estopa

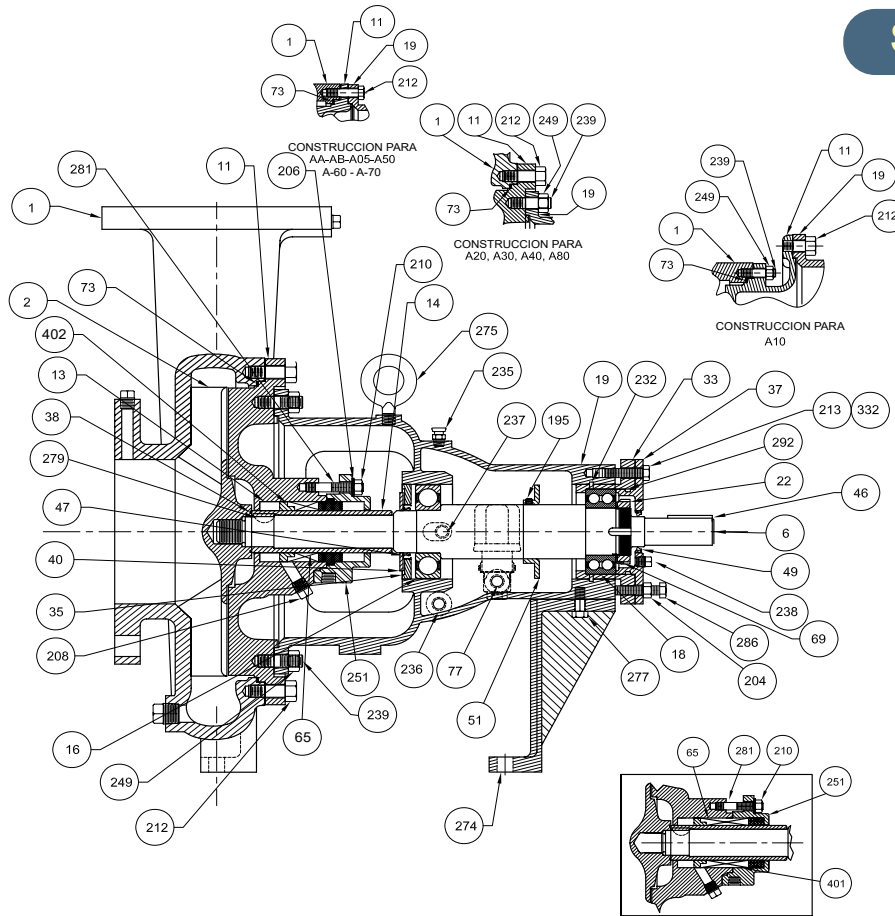


| Ítem No. | DESCRIPCIÓN | MATERIAL |
|----------|-------------------------------|------------------|
| 1 | Cuerpo | Fundicion gris |
| 2 | Impulsor | Fundicion gris |
| 6 | Eje | Acero 4140 |
| 11 | Cabeza de estopero | Fundicion gris |
| 13 | Cordon grafitado | Ptfe con grafito |
| 14 | Camisa | Inox.304 |
| 16 | Rodamiento(interno) | Acero |
| 18 | Rodamiento(Externo) | Acero |
| 19 | Soporte | Fundicion gris |
| 22 | Tuerca de Rodamiento | Acero |
| 29 | Anillo Linterna | Bronce |
| 33 | Cubierta de rodamiento | Fundicion gris |
| 35 | Tapa Rodamiento lado estopero | Fundicion gris |
| 37 | Tapa Rodamiento lado acople | Fundicion gris |
| 38 | Anillo de Teflon | Teflón |
| 40 | Deflector | Buna |
| 46 | Cuña | Acero |

| Ítem No. | DESCRIPCIÓN | MATERIAL |
|----------|----------------------------------|------------------|
| 47 | Retenedor de aceite interno | Buna |
| 49 | Retenedor de aceite Externo | Buna |
| 51 | Aventador de aceite | Inox 304 |
| 69 | Arandela de Seguridad Rodamiento | Inox 304 |
| 73 | Empaque cuerpo | No asbesto |
| 77 | Medidor de nivel | Acero y plastico |
| 195 | Tornillo Prisionero | Acero |
| 204 | Tuerca de ajuste | Acero |
| 206 | Cliip del prensa empaque | Acero |
| 207 | Grasera | Acero |
| 208 | Tapón | Acero |
| 210 | Tuerca Hexagonal | Acero |
| 212 | Tornillo Hexagonal | Acero |
| 213 | Tornillo Hexagonal | Acero |
| 214 | Tapón | Acero |
| 232 | O-Ring | Buna |
| 235 | Respiradera | Acero |

| Ítem No. | DESCRIPCIÓN | MATERIAL |
|----------|----------------------|----------------|
| 236 | Tapón | Acero |
| 239 | Esparrago | Acero |
| 242 | Grasera | Inox 304 |
| 249 | Tuerca Hexagonal | Acero |
| 274 | Pie de soporte | Fundición gris |
| 275 | Argolla de elevación | Acero |
| 277 | Tornillo Hexagonal | Acero |
| 279 | cuña media luna | Acero |
| 281 | Esparrago | Acero |
| 286 | Tornillo de ajuste | Acero |
| 292 | O-ring(tapa balero) | Buna |
| 332 | Tornillo | Acero |

Sello Mecánico



| Item No. | DESCRIPCIÓN | MATERIAL |
|----------|-------------------------------|----------------|
| 1 | Cuerpo | Fundicion gris |
| 2 | Impulsor | Fundicion gris |
| 6 | Eje | Acero 4140 |
| 11 | Cabeza de estopero | Fundicion gris |
| 14 | Camisa | Inox.304 |
| 16 | Rodamiento(interno) | Acero |
| 18 | Rodamiento(Externo) | Acero |
| 19 | Soporte | Fundicion gris |
| 22 | Tuerca de Rodamiento | Acero |
| 33 | Cubierta de rodamiento | Fundicion gris |
| 35 | Tapa Rodamiento lado estopero | Fundicion gris |
| 37 | Tapa Rodamiento lado acople | Fundicion gris |
| 38 | Anillo de Teflon | Teflón |
| 40 | Deflector | Buna |
| 46 | Cuña | Acero |

| Item No. | DESCRIPCIÓN | MATERIAL |
|----------|----------------------------------|------------------|
| 47 | Retenedor de aceite interno | Buna |
| 49 | Retenedor de aceite Externo | Buna |
| 51 | Aventador de aceite | Inox 304 |
| 65 | Sello Mecánico | Ca/ce/buna |
| 69 | Arandela de Seguridad Rodamiento | Inox 304 |
| 73 | Empaque cuerpo | No asbesto |
| 77 | Medidor de nivel | Acero y plastico |
| 195 | Tornillo Prisionero | Acero |
| 204 | Tuerca de ajuste | Acero |
| 210 | Tuerca Hexagonal | Acero |
| 212 | Tornillo Hexagonal | Acero |
| 213 | Tornillo Hexagonal | Acero |
| 232 | O-Ring | Buna |
| 235 | Respiradera | Acero |

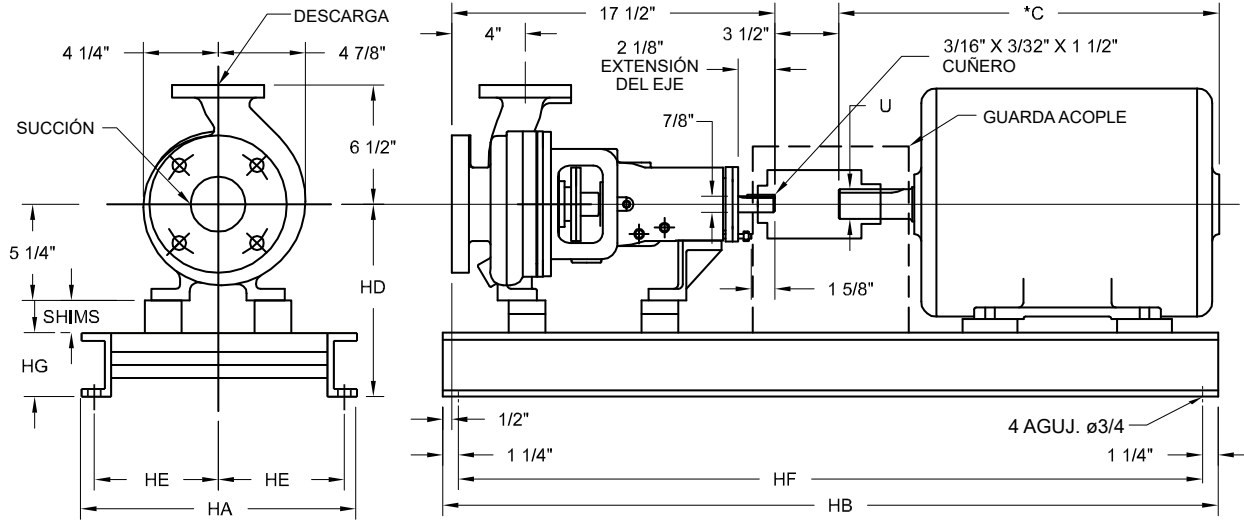
| Item No. | DESCRIPCIÓN | MATERIAL |
|----------|-------------------------|----------------|
| 236 | Tapón | Acero |
| 237 | Tapón | Acero |
| 238 | Tapón | Acero |
| 251 | Cabeza de sello | Inox 304 |
| 274 | Pie de Soporte | Fundición gris |
| 275 | Argolla de elevación | Acero |
| 277 | Tornillo Hexagonal | Acero |
| 279 | cuña media luna | Acero |
| 281 | Esparrago | Acero |
| 286 | Tornillo de ajuste | Acero |
| 292 | O-ring(tapa balero) | Buna |
| 332 | Tornillo | Acero |
| 401 | Empaque cabeza de sello | No asbesto |
| 402 | Soporte Sello | Fundición gris |

Dimensiones

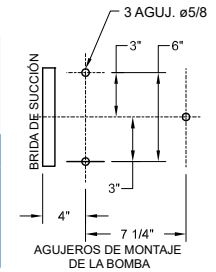
Bombas ANSI



www.wdmpumps.com

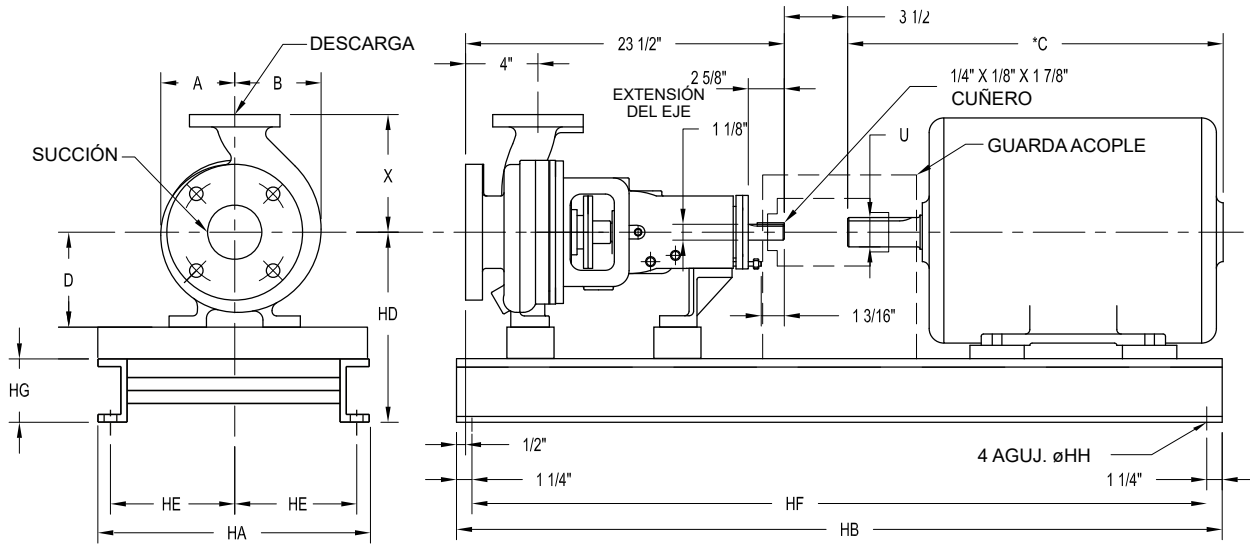


| Mod. | Succ. | Desc. | A | B | Max IMP Día | BRIDA 150LB | | | | | | BRIDA 300LB | | | | | | *Peso Kg |
|------|-------|-------|-------|-------|-------------|-------------|------|-------|----------|------|-------|-------------|------|-------|----------|------|-------|----------|
| | | | | | | SUCCIÓN | | | DESCARGA | | | SUCCIÓN | | | DESCARGA | | | |
| | | | | | | No. | ØAG. | BC | No. | ØAG. | BC | No. | ØAG. | BC | No. | ØAG. | BC | |
| AA6 | 1 1/2 | 1 | 4 1/4 | 4 7/8 | 6 | 4 | 5/8 | 3 7/8 | 4 | 5/8 | 3 1/8 | 4 | 7/8 | 4 1/2 | 4 | 3/4 | 3 1/2 | 32 |
| AB6 | 3 | 1 1/2 | 4 1/4 | 4 7/8 | 6 | 4 | 3/4 | 6 | 4 | 5/8 | 3 7/8 | 8 | 7/8 | 6 5/8 | 4 | 7/8 | 4 1/2 | 34 |
| AA8 | 1 1/2 | 1 | 5 | 5 1/4 | 8 | 4 | 5/8 | 3 7/8 | 4 | 5/8 | 3 1/8 | 4 | 7/8 | 4 1/2 | 4 | 3/4 | 3 1/2 | 32 |
| AB8 | 3 | 1 1/2 | 5 | 5 1/4 | 8 | 4 | 3/4 | 6 | 4 | 5/8 | 3 7/8 | 8 | 7/8 | 6 5/8 | 4 | 7/8 | 4 1/2 | 34 |

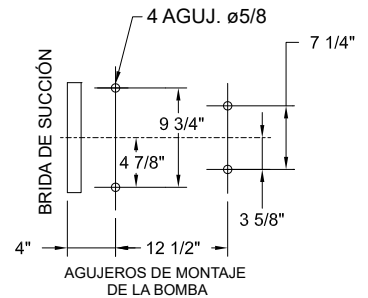


| Motor Frame | 56 | 143T | 145T | 182 | 182T | 184 | 184T | 213 | 213T | 215 | 215T | 254U | 254T | 256U | 256T | 284U | 284T | 284TS | 286U | 286T | 286TS |
|-------------|--------|--------|--------|--------|--------|--------|--------|--------|--------|-------|--------|--------|--------|--------|--------|--------|--------|--------|--------|--------|-------|
| BASE No. | 1 | | | | | | 2 | | | | | | 3 | | | | | | | | |
| C | 9 -14 | 13 1/8 | 13 1/8 | 14 1/4 | 14 5/8 | 15 1/4 | 15 5/8 | 17 1/2 | 17 3/4 | 19 | 19 1/4 | 22 5/8 | 22 7/8 | 24 3/8 | 24 5/8 | 26 1/8 | 25 7/8 | 24 1/2 | 27 5/8 | 27 3/8 | 26 |
| U | 5/8 | 7/8 | 7/8 | 7/8 | 1 1/8 | 7/8 | 1 1/8 | 1 1/8 | 1 3/8 | 1 1/8 | 1 3/8 | 1 3/8 | 1 5/8 | 1 3/8 | 1 5/8 | 1 5/8 | 1 7/8 | 1 5/8 | 1 5/8 | 1 7/8 | 1 5/8 |
| HA | 10 | | | | | | 12 | | | | | | 15 | | | | | | | | |
| HB | 35 | | | | | | 39 | | | | | | 52 | | | | | | | | |
| HD | 8 1/4 | | | | | | 8 1/2 | | | | | | 10 1/2 | | | 10 1/2 | | | | | |
| HE | 4 | | | | | | 4 1/2 | | | | | | 6 | | | | | | | | |
| HF | 32 1/2 | | | | | | 36 1/2 | | | | | | 49 1/2 | | | | | | | | |
| HG | 2 7/8 | | | | | | 3 3/16 | | | | | | 3 1/2 | | | | | | | | |
| **WT(Kg) | 61 | 61 | 61 | 70 | 70 | 76 | 76 | 123 | 123 | 135 | 135 | 210 | 210 | 232 | 232 | 258 | 258 | 258 | 285 | 285 | 285 |

(**) Peso aproximado incluye Base, acople y motor.



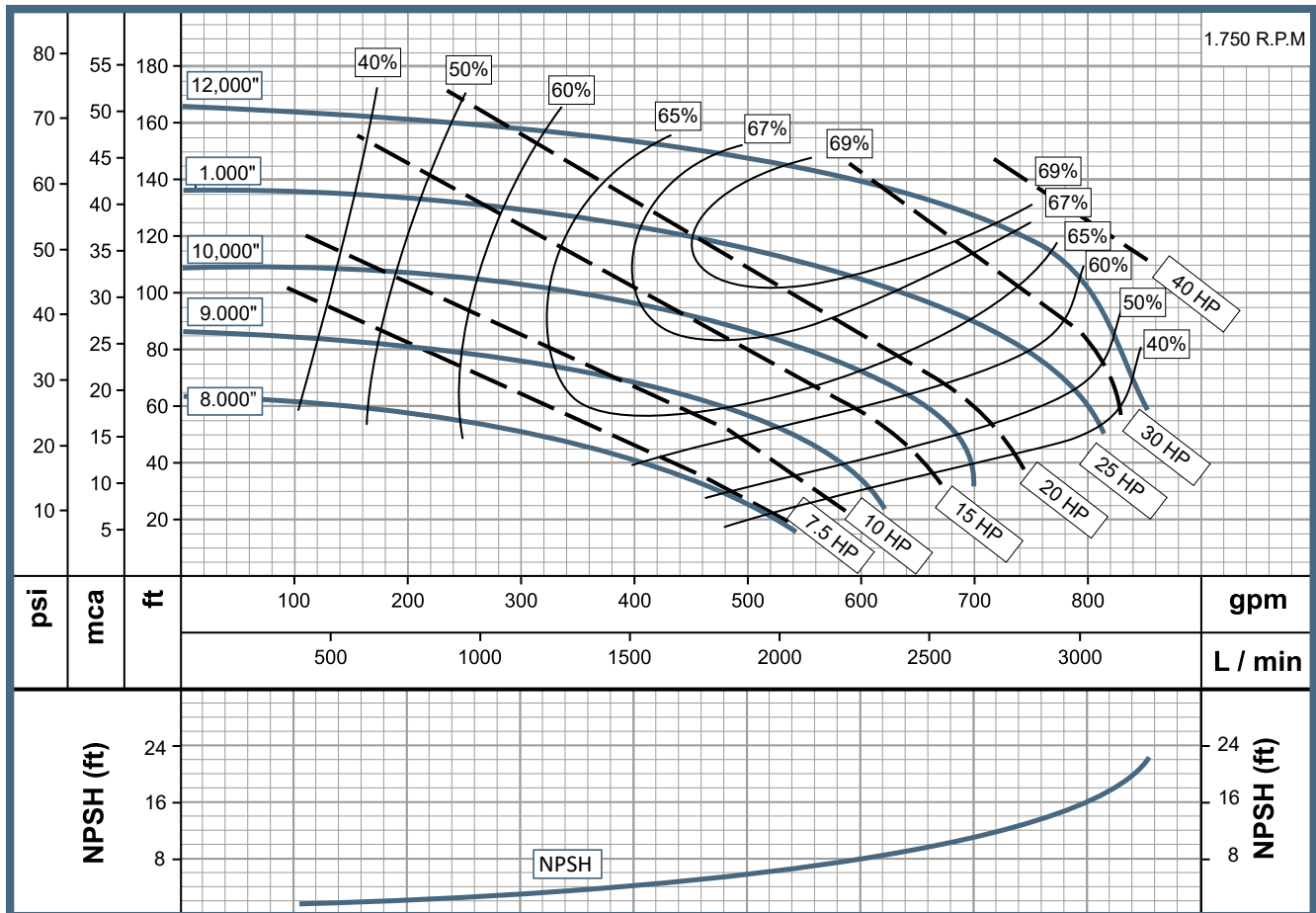
| Mod. | Succ. | Desc. | A | B | D | X | MAX IMP DIA | BRIDA 150LB | | | | BRIDA 300LB | | | | *Peso Kg | | | | |
|------|-------|-------|---------|---------|-------|--------|-------------|-------------|-------|----------|-----|-------------|-------|----------|-------|----------|-----|-------|-------|-----|
| | | | | | | | | SUCCIÓN | | DESCARGA | | SUCCIÓN | | DESCARGA | | | | | | |
| | | | | | | | | No. | ØAG. | BC | No. | ØAG. | BC | No. | ØAG. | BC | No. | ØAG. | BC | |
| A05 | 2 | 1 | 6 3/16 | 6 13/16 | 8 1/4 | 8 1/2 | 9 1/2 | 4 | | 4 3/4 | | 5/8 | 3 1/8 | | | 5 7/8 | 4 | 3/4 | 3 1/2 | 68 |
| A10 | 3 | 2 | 5 | 5 11/16 | | 8 1/4 | 7 1/4 | 4 | | 6 | | 3/4 | 4 3/4 | | | 6 5/8 | 8 | 3/4 | 5 | 72 |
| A50 | 3 | 1 1/2 | 6 3/16 | 6 13/16 | | 8 1/2 | 9 1/2 | 4 | 3/4 | 6 | 4 | 5/8 | 3 7/8 | 8 | 7/8 | 6 5/8 | 4 | 7/8 | 4 1/2 | 80 |
| A60 | 3 | 2 | 6 3/16 | 6 13/16 | | 9 1/2 | 9 1/2 | 4 | | 6 | | 3/4 | 4 3/4 | | | 6 5/8 | 8 | 3/4 | 5 | 84 |
| A70 | 4 | 3 | 6 1/2 | 7 1/2 | 11 | 9 1/2 | 8 | | 7 1/2 | | 3/4 | 6 | | | 7 7/8 | 8 | 7/8 | 6 5/8 | 91 | |
| A20 | 3 | 1 1/2 | 7 3/16 | 8 1/4 | 10 | 10 1/2 | | 4 | | 6 | | 5/8 | 3 7/8 | | | 6 5/8 | 4 | 7/8 | 4 1/2 | 91 |
| A30 | 3 | 2 | 7 3/16 | 8 1/4 | | 11 1/2 | | 4 | 3/4 | 6 | 4 | 3/4 | 4 3/4 | 8 | 7/8 | 6 5/8 | 8 | 3/4 | 5 | 100 |
| A40 | 4 | 3 | 7 1/8 | 8 15/16 | | 12 1/2 | | 8 | | 7 1/2 | | 3/4 | 6 | | | 7 7/8 | 8 | 7/8 | 6 5/8 | 110 |
| A80 | 6 | 4 | 8 11/32 | 9 15/32 | | 13 1/2 | | 8 | 7/8 | 9 1/2 | 8 | 3/4 | 7 1/2 | 12 | | 10 5/8 | 8 | 7/8 | 7 7/8 | 127 |



| Motor Frame | C | U | BASE NO | HA | HB | HD | | HE | HF | HG | HH | *Peso KG | Motor Frame | C | U | | | | | | | | | | | | | | | | | | |
|-------------|--------|-------|---------|----|----|-----------------|--------------|--------|--------|--------|-----|----------|-------------|--------|-----|--------|--------|--------|--------|-------|-----|------|--------|-------|--------|-------|--------|-------|--------|--------|--------|--------|-------|
| | | | | | | A10-05-50-60-70 | A20-30-40-80 | | | | | | | | | | | | | | | | | | | | | | | | | | |
| 143T | 13 1/8 | 7/8 | 4 | 12 | 45 | 12 | 13 3/4 | 4 1/2 | 42 1/2 | 3 3/16 | 3/4 | 102 | 182 | 14 1/4 | 7/8 | | | | | | | | | | | | | | | | | | |
| 145T | 13 1/8 | | | | | | | | | | | 102 | 184 | 15 1/4 | | | | | | | | | | | | | | | | | | | |
| 182T | 14 1/4 | 141 | | | | | | | | | | 213 | 17 1/2 | | | | | | | | | | | | | | | | | | | | |
| 184T | 15 5/8 | 141 | | | | | | | | | | 215 | 19 | | | | | | | | | | | | | | | | | | | | |
| 213T | 17 3/4 | 1 3/8 | | | | | | | | | | 5 | 15 | 52 | | 12% | 14 1/8 | 6 | 49 1/2 | 3 1/2 | 3/4 | 154 | | | | | | | | | | | |
| 215T | 19 1/4 | | | | | | | | | | | | | | | | | | | | | 154 | | | | | | | | | | | |
| 254T | 22 7/8 | 1 5/8 | | 18 | 58 | 13 | 14 3/4 | 7 1/2 | 55 1/2 | 4 | 1 | | | | 239 | | | | | | | 254U | 22 5/8 | 1 3/8 | | | | | | | | | |
| 256T | 24 5/8 | | | | | | | | | | | | | | 239 | | | | | | | 256U | 24 3/8 | | | | | | | | | | |
| 284T | 25 7/8 | 1 7/8 | | | | | | | | | | | | | 14 | | | | | | | 14 | 14 | | 14 3/4 | 7 1/2 | 55 1/2 | 4 | 1 | 264 | 284U | 26 3/8 | |
| 284TS | 24 1/2 | | | | | | | | | | | | | | | | | | | | | | | | | | | | | 264 | 286U | 27 5/8 | |
| 286T | 27 5/8 | 1 7/8 | | | | | | | | | | | 15 | 58 | | 13 | 14 3/4 | 7 1/2 | 55 1/2 | 4 | 1 | | | | | | | | | 292 | | | |
| 286TS | 26 | | | | | | | | | | | | | | | | | | | | | | | | | | | | | 292 | | | |
| 324T | 28 3/4 | 2 1/8 | 7 | 18 | 60 | 15 | 7 1/2 | 57 1/2 | 4 | 1 | 378 | | | | | | | | | | | | | 324U | | | | | | 29 1/8 | 1 7/8 | | |
| 324TS | 27 1/4 | | | | | | | | | | 378 | | | | | | | | | | | | | 324S | | | | | | 26 3/4 | | 1 5/8 | |
| 326T | 30 1/4 | 2 1/8 | | | | | | | | | 18 | | | | 58 | | | | | | | 13 | 14 3/4 | 7 1/2 | 55 1/2 | 4 | 1 | 408 | 326U | 30 5/8 | | 1 7/8 | |
| 326TS | 28 3/4 | | | | | | | | | | | | | | | | | | | | | | | | | | | 408 | 326S | 28 1/4 | | | 1 5/8 |
| 364T | 33 1/8 | 2 3/8 | | | | | | | | | | 18 | 58 | 14 | | 14 3/4 | 7 1/2 | 55 1/2 | 4 | 1 | 480 | | | | | | | 364U | 33 5/8 | 2 1/8 | | | |
| 364TS | 31 | | | | | | | | | | | | | | | | | | | | 480 | | | | | | | 364US | 31 | | | | 1 7/8 |
| 365TS | 32 | 1 7/8 | | 18 | 60 | 15 | 14 3/4 | 7 1/2 | 57 1/2 | 4 | | | | | | | | | | | 1 | | | | | | | 510 | 365U | | 34 5/8 | | 2 1/8 |
| | | | | | | | | | | | | | | | | | | | | | | | | | | | | 510 | 365US | | 32 | | |
| | | 2 1/8 | | | | | | | | | 18 | | | | 60 | | | | | | | 16 | 14 3/4 | 7 1/2 | 57 1/2 | 4 | 1 | 660 | 404US | | 34 1/4 | 2 1/8 | |
| 405TS | 36 1/8 | | | | | | | | | | | | | | | | | | | | | | | | | | | 660 | 405US | | 36 | | |
| | | | | | | | | | | | | | | | | | | | | | | | | | | | | 864 | 444US | 38 5/8 | | | |
| | | | | | | | | | | | | | | | | | | | | | | | | | | | | 864 | 445US | 40 5/8 | | | |

| Características de la Bomba | | | | | | |
|-----------------------------|------------|--------------------------|------------|-----------------------------------|----------|-----------------------------|
| Tipo de bomba | | Diseño | | Impulsor | | |
| Centrífuga | | Eje Libre | | Semiabierto Balanceado (ISO G6.3) | | |
| Etapas | | Temperatura de fluido | | Velocidad | | |
| 1 | | 194 ° F (90° C) Continua | | 1750 rpm | | |
| Modelo | Referencia | Ø Succión | Ø Descarga | Ø Impulsor | Sello | |
| 1 | 3065 A40 | 0601537 | 4" | 3" | 12,00 in | PE Prensa Estopa (Cordón) |
| 2 | 3065 A40 | 0676914 | 4" | 3" | 12,00 in | SM Tipo 01, 1-3/4" SI/SI/VI |

Curva de Rendimiento



www.wdmpumps.com



■ www.wdmpumps.com

| | |
|---------|----------|
| VERSIÓN | 1 |
| FECHA | 20/12/24 |